



# iWATER FAN iSALT FAN

Built to Brave Any Environment

**DC BRUSHLESS**

Axial Fan

RoHS compliant

**HUAZHUN**



# HUAZHUN iWATER FAN & iSALT FAN Series

Built to Brave Any Environment

Huazhun iWATER Fan / iSALT Fan, designed for the harshest outdoor conditions, these high-protection fans deliver IP68 dust and water resistance and GR487 salt spray durability. Patented encapsulation fully seals the motor and electronics, shielding them from dust, water, and salt corrosion. Reliable, long-lasting, and engineered for extreme environments — the iWATER Fan / iSALT Fan keeps your equipment cool when it matters most.

## CONTECT

DC FAN	
Fan Size (mm)	Page
40X40X20	3
40X40X28	4
50X50X15	6
60X60X25	8
60X60X38	10
80X80X25	12
80X80X38	14
92X92X25	16
92X92X38	18
120X120X25	19
120X120X38	23

DC Brushless Fan

# 40X40X20 mm

IP68 Rating , Dustproof & Waterproof  
for Salt Spray Environment

iWATER Fan Series

iSALT Fan Series

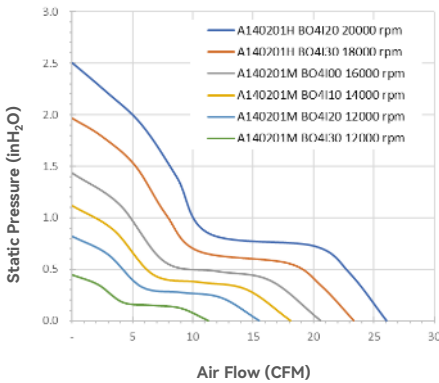
IEC 60068-2-52 standard

RoHS compliant

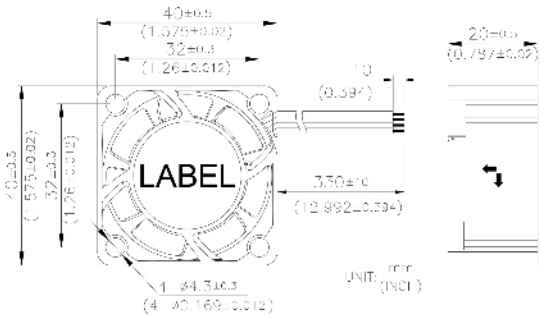


- Housing: Plastic (UL 94V-0)
- Impeller: Plastic (UL 94V-0)
- Bearing: Ball bearings
- Control Options: +/-/FG/PWM
- Weight: 39.3 g
- Lead Wires : UL10368 AWG26 OR Equivalent

■ Air Flow-Static Pressure Characteristics



■ Dimensions drawing (mm)



IP68 Rating	Model No.	Rated Voltage	Operating Voltage Range	Operating Temp.	Speed	Input Current	Input Power	Maximum Air Flow		Maximum Air Pressure		Noise @1M
		VDC	VDC	°C	RPM	Amp	Watt	CFM	m <sup>3</sup> /min	inH <sub>2</sub> O	mmH <sub>2</sub> O	dB(A)
	A140201H BO4I20	12	6~13.8	-10~70	20000	1.20	14.4	26.0	0.74	2.50	63.5	56.4
	A140201H BO4I30	12	6~13.8	-10~70	18000	0.72	8.6	23.3	0.66	1.97	50.0	54.2
	A140201M BO4I00	12	6~13.8	-10~70	16000	0.51	6.1	20.6	0.58	1.43	36.4	52.4
	A140201M BO4I10	12	6~13.8	-10~70	14000	0.32	3.8	18.1	0.51	1.11	28.3	49.0
	A140201M BO4I20	12	6~13.8	-10~70	12000	0.22	2.6	15.5	0.44	0.82	20.8	45.7
	A140201M BO4I30	12	6~13.8	-10~70	9000	0.10	1.1	11.3	0.32	0.45	11.4	37.4

for salt spray environment	Model No.	Rated Voltage	Operating Voltage Range	Operating Temp.	Speed	Input Current	Input Power	Maximum Air Flow		Maximum Air Pressure		Noise @1M
		VDC	VDC	°C	RPM	Amp	Watt	CFM	m <sup>3</sup> /min	inH <sub>2</sub> O	mmH <sub>2</sub> O	dB(A)
	A140201H BO4F20	12	6~13.8	-10~70	20000	1.20	14.4	26.0	0.74	2.50	63.5	56.4
	A140201H BO4F30	12	6~13.8	-10~70	18000	0.72	8.6	23.3	0.66	1.97	50.0	54.2
	A140201M BO4F00	12	6~13.8	-10~70	16000	0.51	6.1	20.6	0.58	1.43	36.4	52.4
	A140201M BO4F10	12	6~13.8	-10~70	14000	0.32	3.8	18.1	0.51	1.11	28.3	49.0
	A140201M BO4F20	12	6~13.8	-10~70	12000	0.22	2.6	15.5	0.44	0.82	20.8	45.7
	A140201M BO4F30	12	6~13.8	-10~70	9000	0.10	1.1	11.3	0.32	0.45	11.4	37.4

\* All models are available with GR487 customization options; please contact HUAZHUN sales for details.

Notes: Specifications are subject to change without notice. Please refer to the product data sheet provided by our sales.  
<https://www.i-hzlw.com>

DC Brushless Fan

# 40X40X28 mm

IP68 Rating , Dustproof & Waterproof  
for Salt Spray Environment  
12V

iWATER Fan Series

iSALT Fan Series

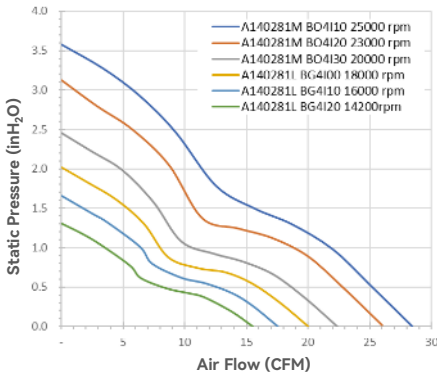
IEC 60068-2-52 standard

RoHS compliant

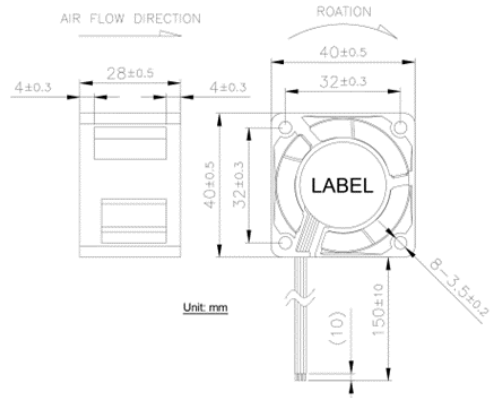


- Housing: Plastic (UL 94V-0)
- Impeller: Plastic (UL 94V-0)
- Bearing: Ball bearings
- Control Options: +/-/FG/PWM
- Weight: 52.4g
- Lead Wires : UL10368 AWG26 OR Equivalent

## ■ Air Flow-Static Pressure Characteristics



## ■ Dimensions drawing (mm)



IP68 Rating	Model No.	Rated Voltage	Operating Voltage Range	Operating Temp.	Speed	Input Current	Input Power	Maximum Air Flow		Maximum Air Pressure		Noise @1M
		VDC	VDC	°C	RPM	Amp	Watt	CFM	m <sup>3</sup> /min	inH <sub>2</sub> O	mmH <sub>2</sub> O	dB(A)
A140281M	BO4I10	12	6~13.8	-10~70	25000	1.31	15.7	28.5	0.81	3.6	90.9	57.3
A140281M	BO4I20	12	6~13.8	-10~70	23000	1.00	12.0	26.0	0.74	3.1	79.4	55.5
A140281M	BO4I30	12	6~13.8	-10~70	20000	0.59	7.0	22.4	0.63	2.5	62.3	52.5
A140281L	BG4I00	12	6~13.8	-10~70	18000	0.43	5.1	20.0	0.57	2.0	51.3	50.2
A140281L	BG4I10	12	6~13.8	-10~70	16000	0.30	3.6	17.6	0.50	1.7	42.0	48.2
A140281L	BG4I20	12	6~13.8	-10~70	14200	0.20	2.4	15.5	0.44	1.3	33.2	44.2

for salt spray environment	Model No.	Rated Voltage	Operating Voltage Range	Operating Temp.	Speed	Input Current	Input Power	Maximum Air Flow		Maximum Air Pressure		Noise @1M
		VDC	VDC	°C	RPM	Amp	Watt	CFM	m <sup>3</sup> /min	inH <sub>2</sub> O	mmH <sub>2</sub> O	dB(A)
A140281M	BO4F10	12	6~13.8	-10~70	25000	1.31	15.7	28.5	0.81	3.6	90.9	57.3
A140281M	BO4F20	12	6~13.8	-10~70	23000	1.00	12.0	26.0	0.74	3.1	79.4	55.5
A140281M	BO4F30	12	6~13.8	-10~70	20000	0.59	7.0	22.4	0.63	2.5	62.3	52.5
A140281L	BG4F00	12	6~13.8	-10~70	18000	0.43	5.1	20.0	0.57	2.0	51.3	50.2
A140281L	BG4F10	12	6~13.8	-10~70	16000	0.30	3.6	17.6	0.50	1.7	42.0	48.2
A140281L	BG4F20	12	6~13.8	-10~70	14200	0.20	2.4	15.5	0.44	1.3	33.2	44.2

\* All models are available with GR487 customization options; please contact HUAZHUN sales for details.

Notes: Specifications are subject to change without notice. Please refer to the product data sheet provided by our sales.  
<https://www.i-hzlw.com>

DC Brushless Fan

# 40X40X28 mm

IP68 Rating , Dustproof & Waterproof  
for Salt Spray Environment  
24V

iWATER Fan Series

iSALT Fan Series

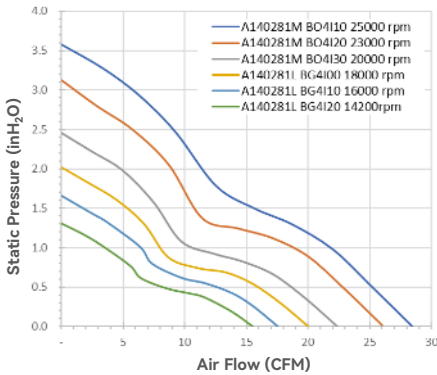
IEC 60068-2-52 standard

RoHS compliant

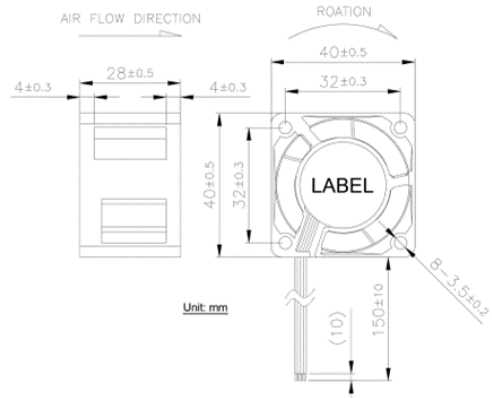


- Housing: Plastic (UL 94V-0)
- Impeller: Plastic (UL 94V-0)
- Bearing: Ball bearings
- Control Options: +/-/FG/PWM
- Weight: 52.4g
- Lead Wires : UL10368 AWG26 OR Equivalent

■ Air Flow-Static Pressure Characteristics



■ Dimensions drawing (mm)



IP68 Rating		Rated Voltage	Operating Voltage Range	Operating Temp.	Speed	Input Current	Input Power	Maximum Air Flow		Maximum Air Pressure		Noise @1M
Model No.		VDC	VDC	°C	RPM	Amp	Watt	CFM	m <sup>3</sup> /min	inH <sub>2</sub> O	mmH <sub>2</sub> O	dB(A)
A140282L	BO4I30	24	14~27.6	-10~70	25000	0.65	15.7	28.5	0.81	3.6	90.9	57.3
A140282L	BO4I40	24	14~27.6	-10~70	23000	0.50	12.0	26.0	0.74	3.1	79.4	55.5
A140282L	BO4I50	24	14~27.6	-10~70	20000	0.29	7.0	22.4	0.63	2.5	62.3	52.5
A140282L	BO4I60	24	14~27.6	-10~70	18000	0.21	5.1	20.0	0.57	2.0	51.3	50.2
A140282L	BO4I70	24	14~27.6	-10~70	16000	0.15	3.6	17.6	0.50	1.7	42.0	48.2
A140282L	BO4I80	24	14~27.6	-10~70	14200	0.10	2.4	15.5	0.44	1.3	33.2	44.2

for salt spray environment		Rated Voltage	Operating Voltage Range	Operating Temp.	Speed	Input Current	Input Power	Maximum Air Flow		Maximum Air Pressure		Noise @1M
Model No.		VDC	VDC	°C	RPM	Amp	Watt	CFM	m <sup>3</sup> /min	inH <sub>2</sub> O	mmH <sub>2</sub> O	dB(A)
A140282L	BO4F30	24	14~27.6	-10~70	25000	0.65	15.7	28.5	0.81	3.6	90.9	57.3
A140282L	BO4F40	24	14~27.6	-10~70	23000	0.50	12.0	26.0	0.74	3.1	79.4	55.5
A140282L	BO4F50	24	14~27.6	-10~70	20000	0.29	7.0	22.4	0.63	2.5	62.3	52.5
A140282L	BO4F60	24	14~27.6	-10~70	18000	0.21	5.1	20.0	0.57	2.0	51.3	50.2
A140282L	BO4F70	24	14~27.6	-10~70	16000	0.15	3.6	17.6	0.50	1.7	42.0	48.2
A140282L	BO4F80	24	14~27.6	-10~70	14200	0.10	2.4	15.5	0.44	1.3	33.2	44.2

\* All models are available with GR487 customization options; please contact HUAZHUN sales for details.

Notes: Specifications are subject to change without notice. Please refer to the product data sheet provided by our sales.  
<https://www.i-hzlw.com>

DC Brushless Fan

# 50X50X15 mm

IP68 Rating , Dustproof & Waterproof  
for Salt Spray Environment  
12V

iWATER Fan Series

iSALT Fan Series

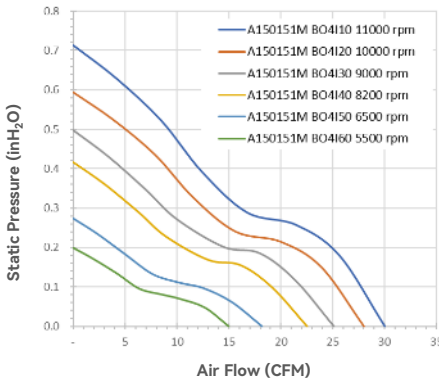
IEC 60068-2-52 standard

RoHS compliant

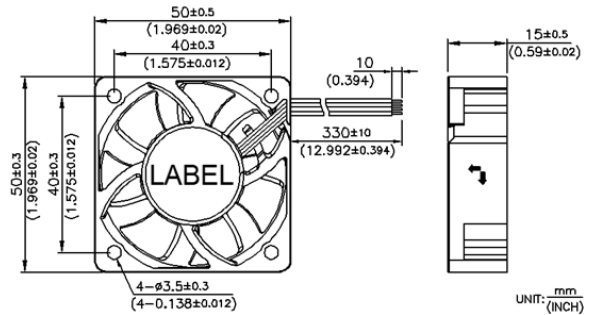


- Housing: Plastic (UL 94V-0)
- Impeller: Plastic (UL 94V-0)
- Bearing: Ball bearings
- Control Options: +/-/FG/PWM
- Weight: 35.3g
- Lead Wires : UL10368 AWG26 OR Equivalent

### ■ Air Flow-Static Pressure Characteristics



### ■ Dimensions drawing (mm)



IP68 Rating	Model No.	Rated Voltage	Operating Voltage Range	Operating Temp.	Speed	Input Current	Input Power	Maximum Air Flow		Maximum Air Pressure		Noise @1M
		VDC	VDC	°C	RPM	Amp	Watt	CFM	m <sup>3</sup> /min	inH <sub>2</sub> O	mmH <sub>2</sub> O	dB(A)
	A150151M BO4I10	12	6~13.8	-10~70	11000	0.440	5.3	30.0	0.85	0.71	18.1	49.6
	A150151M BO4I20	12	6~13.8	-10~70	10000	0.323	3.9	28.0	0.79	0.59	15.1	47.5
	A150151M BO4I30	12	6~13.8	-10~70	9000	0.238	2.9	25.1	0.71	0.50	12.6	45.2
	A150151M BO4I40	12	6~13.8	-10~70	8200	0.160	1.9	22.6	0.64	0.42	10.6	41.9
	A150151M BO4I50	12	6~13.8	-10~70	6500	0.116	1.4	18.2	0.52	0.27	7.0	34.7
	A150151M BO4I60	12	6~13.8	-10~70	5500	0.102	1.2	15.0	0.42	0.20	5.1	30.3

for salt spray environment	Model No.	Rated Voltage	Operating Voltage Range	Operating Temp.	Speed	Input Current	Input Power	Maximum Air Flow		Maximum Air Pressure		Noise @1M
		VDC	VDC	°C	RPM	Amp	Watt	CFM	m <sup>3</sup> /min	inH <sub>2</sub> O	mmH <sub>2</sub> O	dB(A)
	A150151M BO4F10	12	6~13.8	-10~70	11000	0.440	5.3	30.0	0.85	0.71	18.1	49.6
	A150151M BO4F20	12	6~13.8	-10~70	10000	0.323	3.9	28.0	0.79	0.59	15.1	47.5
	A150151M BO4F30	12	6~13.8	-10~70	9000	0.238	2.9	25.1	0.71	0.50	12.6	45.2
	A150151M BO4F40	12	6~13.8	-10~70	8200	0.160	1.9	22.6	0.64	0.42	10.6	41.9
	A150151M BO4F50	12	6~13.8	-10~70	6500	0.116	1.4	18.2	0.52	0.27	7.0	34.7
	A150151M BO4F60	12	6~13.8	-10~70	5500	0.102	1.2	15.0	0.42	0.20	5.1	30.3

\* All models are available with GR487 customization options; please contact HUAZHUN sales for details.

Notes: Specifications are subject to change without notice. Please refer to the product data sheet provided by our sales.  
<https://www.i-hzlw.com>

DC Brushless Fan

# 50X50X15 mm

IP68 Rating , Dustproof & Waterproof  
for Salt Spray Environment  
24V

iWATER Fan Series

iSALT Fan Series

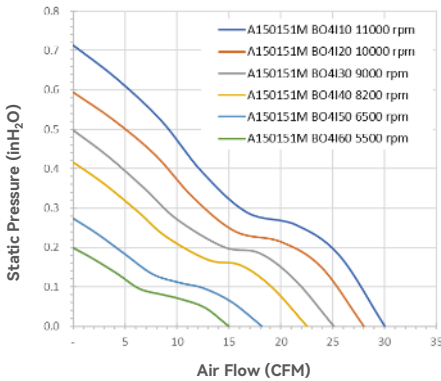
IEC 60068-2-52 standard

RoHS compliant

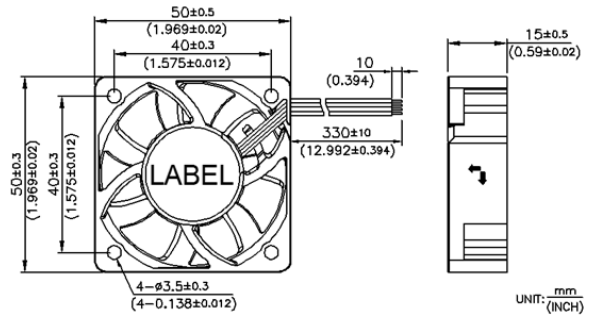


- Housing: Plastic (UL 94V-0)
- Impeller: Plastic (UL 94V-0)
- Bearing: Ball bearings
- Control Options: +/-/FG/PWM
- Weight: 35.3g
- Lead Wires : UL10368 AWG26 OR Equivalent

■ Air Flow-Static Pressure Characteristics



■ Dimensions drawing (mm)



IP68 Rating	Model No.	Rated Voltage	Operating Voltage Range	Operating Temp.	Speed	Input Current	Input Power	Maximum Air Flow		Maximum Air Pressure		Noise @1M
		VDC	VDC	°C	RPM	Amp	Watt	CFM	m <sup>3</sup> /min	inH <sub>2</sub> O	mmH <sub>2</sub> O	dB(A)
A150152M	BO4I10	24	14~27.6	-10~70	11000	0.220	5.3	30.0	0.85	0.71	18.1	49.6
A150152M	BO4I20	24	14~27.6	-10~70	10000	0.161	3.9	28.0	0.79	0.59	15.1	47.5
A150152M	BO4I30	24	14~27.6	-10~70	9000	0.119	2.9	25.1	0.71	0.50	12.6	45.2
A150152M	BO4I40	24	14~27.6	-10~70	8200	0.080	1.9	22.6	0.64	0.42	10.6	41.9
A150152M	BO4I50	24	14~27.6	-10~70	6500	0.058	1.4	18.2	0.52	0.27	7.0	34.7
A150152M	BO4I60	24	14~27.6	-10~70	5500	0.051	1.2	15.0	0.42	0.20	5.1	30.3

for salt spray environment	Model No.	Rated Voltage	Operating Voltage Range	Operating Temp.	Speed	Input Current	Input Power	Maximum Air Flow		Maximum Air Pressure		Noise @1M
		VDC	VDC	°C	RPM	Amp	Watt	CFM	m <sup>3</sup> /min	inH <sub>2</sub> O	mmH <sub>2</sub> O	dB(A)
A150152M	BO4F10	24	14~27.6	-10~70	11000	0.220	5.3	30.0	0.85	0.71	18.1	49.6
A150152M	BO4F20	24	14~27.6	-10~70	10000	0.161	3.9	28.0	0.79	0.59	15.1	47.5
A150152M	BO4F30	24	14~27.6	-10~70	9000	0.119	2.9	25.1	0.71	0.50	12.6	45.2
A150152M	BO4F40	24	14~27.6	-10~70	8200	0.080	1.9	22.6	0.64	0.42	10.6	41.9
A150152M	BO4F50	24	14~27.6	-10~70	6500	0.058	1.4	18.2	0.52	0.27	7.0	34.7
A150152M	BO4F60	24	14~27.6	-10~70	5500	0.051	1.2	15.0	0.42	0.20	5.1	30.3

\* All models are available with GR487 customization options; please contact HUAZHUN sales for details.

Notes: Specifications are subject to change without notice. Please refer to the product data sheet provided by our sales.  
<https://www.i-hzlw.com>

DC Brushless Fan

# 60X60X25 mm

IP68 Rating , Dustproof & Waterproof  
for Salt Spray Environment  
12V

iWATER Fan Series

iSALT Fan Series

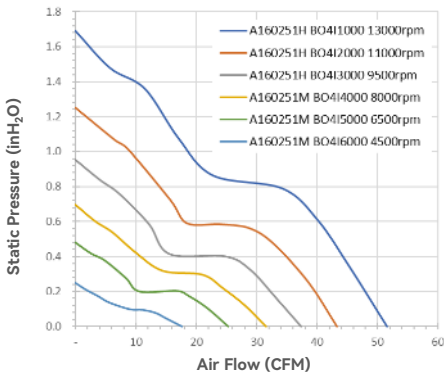
IEC 60068-2-52 standard

RoHS compliant

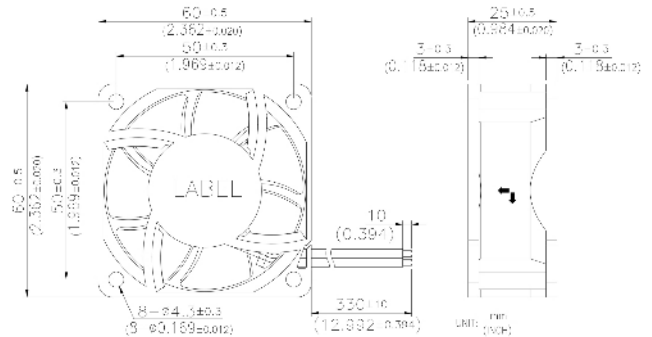


- Housing: Plastic (UL 94V-0)
- Impeller: Plastic (UL 94V-0)
- Bearing: Ball bearings
- Control Options: +/-/FG/PWM
- Weight: 75.3g
- Lead Wires : UL10368 AWG26 OR Equivalent

## ■ Air Flow-Static Pressure Characteristics



## ■ Dimensions drawing (mm)



IP68 Rating Model No.	Rated Voltage	Operating Voltage Range	Operating Temp.	Speed	Input Current	Input Power	Maximum Air Flow		Maximum Air Pressure		Noise @1M
	VDC	VDC	°C	RPM	Amp	Watt	CFM	m <sup>3</sup> /min	inH <sub>2</sub> O	mmH <sub>2</sub> O	dB(A)
A160251H BO4I1000	12	6~13.8	-10~70	13000	1.15	13.8	53.08	1.50	1.70	43.18	55.8
A160251H BO4I2000	12	6~13.8	-10~70	11000	0.70	8.4	43.24	1.22	1.22	30.92	52.7
A160251H BO4I3000	12	6~13.8	-10~70	9500	0.46	5.5	37.33	1.06	0.95	24.25	48.6
A160251M BO4I4000	12	6~13.8	-10~70	8000	0.22	2.6	31.48	0.89	0.70	17.67	44.2
A160251M BO4I5000	12	6~13.8	-10~70	6500	0.19	2.3	25.24	0.71	0.48	12.18	38.9
A160251M BO4I6000	12	6~13.8	-10~70	4500	0.07	0.9	17.63	0.50	0.25	6.29	29.4

for salt spray environment Model No.	Rated Voltage	Operating Voltage Range	Operating Temp.	Speed	Input Current	Input Power	Maximum Air Flow		Maximum Air Pressure		Noise @1M
	VDC	VDC	°C	RPM	Amp	Watt	CFM	m <sup>3</sup> /min	inH <sub>2</sub> O	mmH <sub>2</sub> O	dB(A)
A160251H BO4F1000	12	6~13.8	-10~70	13000	1.15	13.8	53.08	1.50	1.70	43.18	55.8
A160251H BO4F2000	12	6~13.8	-10~70	11000	0.70	8.4	43.24	1.22	1.22	30.92	52.7
A160251H BO4F3000	12	6~13.8	-10~70	9500	0.46	5.5	37.33	1.06	0.95	24.25	48.6
A160251M BO4F4000	12	6~13.8	-10~70	8000	0.22	2.6	31.48	0.89	0.70	17.67	44.2
A160251M BO4F5000	12	6~13.8	-10~70	6500	0.19	2.3	25.24	0.71	0.48	12.18	38.9
A160251M BO4F6000	12	6~13.8	-10~70	4500	0.07	0.9	17.63	0.50	0.25	6.29	29.4

\* All models are available with GR487 customization options; please contact HUAZHUN sales for details.

Notes: Specifications are subject to change without notice. Please refer to the product data sheet provided by our sales.  
<https://www.i-hzlw.com>

DC Brushless Fan

# 60X60X25 mm

IP68 Rating , Dustproof & Waterproof  
for Salt Spray Environment  
24V

iWATER Fan Series

iSALT Fan Series

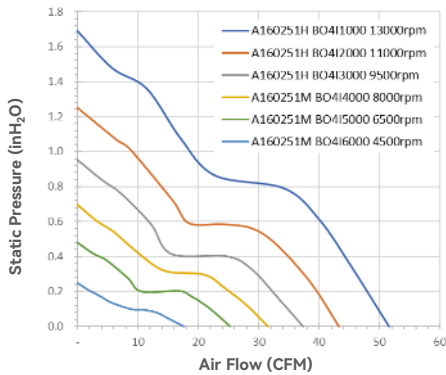
IEC 60068-2-52 standard

RoHS compliant

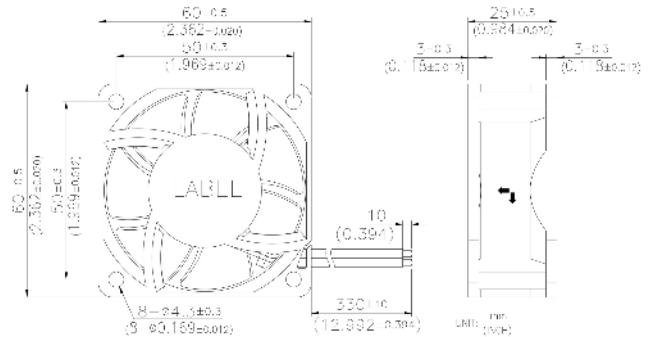


- Housing: Plastic (UL 94V-0)
- Impeller: Plastic (UL 94V-0)
- Bearing: Ball bearings
- Control Options: +/-/FG/PWM
- Weight: 75.3g
- Lead Wires : UL10368 AWG26 OR Equivalent

## ■ Air Flow-Static Pressure Characteristics



## ■ Dimensions drawing (mm)



IP68 Rating	Model No.	Rated Voltage	Operating Voltage Range	Operating Temp.	Speed	Input Current	Input Power	Maximum Air Flow		Maximum Air Pressure		Noise @1M
		VDC	VDC	°C	RPM	Amp	Watt	CFM	m <sup>3</sup> /min	inH <sub>2</sub> O	mmH <sub>2</sub> O	dB(A)
A160252M	BO4I1000	24	14~27.6	-10~70	13000	0.58	13.8	53.08	1.50	1.70	43.18	55.8
A160252M	BO4I2000	24	14~27.6	-10~70	11000	0.35	8.4	43.24	1.22	1.22	30.92	52.7
A160252M	BO4I3000	24	14~27.6	-10~70	9500	0.23	5.5	37.33	1.06	0.95	24.25	48.6
A160252M	BO4I4000	24	14~27.6	-10~70	8000	0.11	2.6	31.48	0.89	0.70	17.67	44.2
A160252M	BO4I5000	24	14~27.6	-10~70	6500	0.10	2.3	25.24	0.71	0.48	12.18	38.9
A160252M	BO4I6000	24	14~27.6	-10~70	4500	0.04	0.9	17.63	0.50	0.25	6.29	29.4

for salt spray environment	Model No.	Rated Voltage	Operating Voltage Range	Operating Temp.	Speed	Input Current	Input Power	Maximum Air Flow		Maximum Air Pressure		Noise @1M
		VDC	VDC	°C	RPM	Amp	Watt	CFM	m <sup>3</sup> /min	inH <sub>2</sub> O	mmH <sub>2</sub> O	dB(A)
A160252M	BO4F1000	24	14~27.6	-10~70	13000	0.58	13.8	53.08	1.50	1.70	43.18	55.8
A160252M	BO4F2000	24	14~27.6	-10~70	11000	0.35	8.4	43.24	1.22	1.22	30.92	52.7
A160252M	BO4F3000	24	14~27.6	-10~70	9500	0.23	5.5	37.33	1.06	0.95	24.25	48.6
A160252M	BO4F4000	24	14~27.6	-10~70	8000	0.11	2.6	31.48	0.89	0.70	17.67	44.2
A160252M	BO4F5000	24	14~27.6	-10~70	6500	0.10	2.3	25.24	0.71	0.48	12.18	38.9
A160252M	BO4F6000	24	14~27.6	-10~70	4500	0.04	0.9	17.63	0.50	0.25	6.29	29.4

\* All models are available with GR487 customization options; please contact HUAZHUN sales for details.

Notes: Specifications are subject to change without notice. Please refer to the product data sheet provided by our sales.  
<https://www.i-hzlw.com>

DC Brushless Fan

# 60X60X38 mm

IP68 Rating , Dustproof & Waterproof  
for Salt Spray Environment  
12V

iWATER Fan Series

iSALT Fan Series

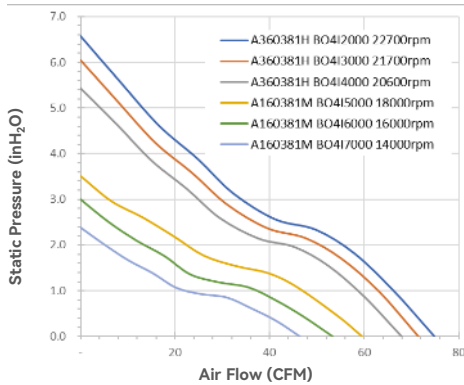
IEC 60068-2-52 standard

RoHS compliant

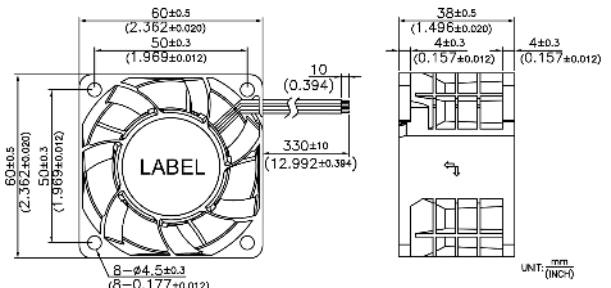


- Housing: Plastic (UL 94V-0)
- Impeller: Plastic (UL 94V-0)
- Bearing: Ball bearings
- Control Options: +/-/FG/PWM
- Weight: 148 g
- Lead Wires : UL10368 AWG22 OR Equivalent

## ■ Air Flow-Static Pressure Characteristics



## ■ Dimensions drawing (mm)



IP68 Rating	Model No.	Rated Voltage	Operating Voltage Range	Operating Temp.	Speed	Input Current	Input Power	Maximum Air Flow		Maximum Air Pressure		Noise @1M
		VDC	VDC	°C	RPM	Amp	Watt	CFM	m <sup>3</sup> /min	inH <sub>2</sub> O	mmH <sub>2</sub> O	dB(A)
A360381H	BO4I2000	12	10~13.8	-10~70	22700	3.16	37.9	73.5	2.08	7.0	177.2	70.6
A360381H	BO4I3000	12	10~13.8	-10~70	21700	2.73	32.7	70.1	1.98	6.3	161.3	68.8
A360381H	BO4I4000	12	10~13.8	-10~70	20600	2.64	31.7	66.2	1.87	5.9	149.4	67.7
A160381M	BO4I5000	12	6~13.8	-10~70	18000	1.61	19.3	60.0	1.70	3.9	98.6	65.1
A160381M	BO4I6000	12	6~13.8	-10~70	16000	1.26	15.1	53.4	1.51	2.9	73.6	62.4
A160381M	BO4I7000	12	6~13.8	-10~70	14000	0.78	9.4	46.2	1.31	2.6	65.8	59.1

for salt spray environment	Model No.	Rated Voltage	Operating Voltage Range	Operating Temp.	Speed	Input Current	Input Power	Maximum Air Flow		Maximum Air Pressure		Noise @1M
		VDC	VDC	°C	RPM	Amp	Watt	CFM	m <sup>3</sup> /min	inH <sub>2</sub> O	mmH <sub>2</sub> O	dB(A)
A360381H	BO4F2000	12	10~13.8	-10~70	22700	3.16	37.9	73.5	2.08	7.0	177.2	70.6
A360381H	BO4F3000	12	10~13.8	-10~70	21700	2.73	32.7	70.1	1.98	6.3	161.3	68.8
A360381H	BO4F4000	12	10~13.8	-10~70	20600	2.64	31.7	66.2	1.87	5.9	149.4	67.7
A160381M	BO4F5000	12	6~13.8	-10~70	18000	1.61	19.3	60.0	1.70	3.9	98.6	65.1
A160381M	BO4F6000	12	6~13.8	-10~70	16000	1.26	15.1	53.4	1.51	2.9	73.6	62.4
A160381M	BO4F7000	12	6~13.8	-10~70	14000	0.78	9.4	46.2	1.31	2.6	65.8	59.1

\* All models are available with GR487 customization options; please contact HUAZHUN sales for details.

Notes: Specifications are subject to change without notice. Please refer to the product data sheet provided by our sales.  
<https://www.i-hzlw.com>

DC Brushless Fan

# 60X60X38 mm

IP68 Rating , Dustproof & Waterproof  
for Salt Spray Environment  
24V

iWATER Fan Series

iSALT Fan Series

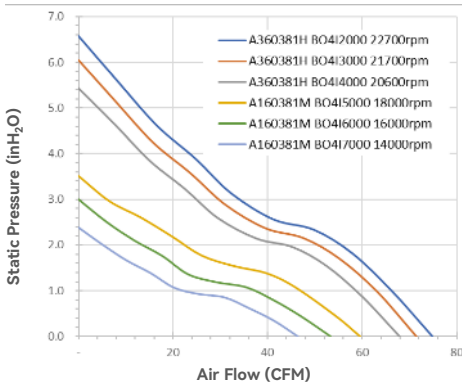
IEC 60068-2-52 standard

RoHS compliant

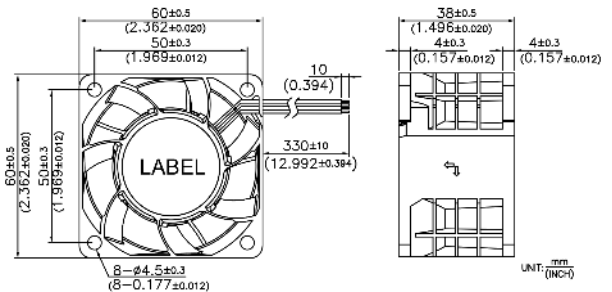


- Housing: Plastic (UL 94V-0)
- Impeller: Plastic (UL 94V-0)
- Bearing: Ball bearings
- Control Options: +/-/FG/PWM
- Weight: 148 g
- Lead Wires : UL10368 AWG22 OR Equivalent

## ■ Air Flow-Static Pressure Characteristics



## ■ Dimensions drawing (mm)



IP68 Rating	Model No.	Rated Voltage	Operating Voltage Range	Operating Temp.	Speed	Input Current	Input Power	Maximum Air Flow		Maximum Air Pressure		Noise @1M
		VDC	VDC	°C	RPM	Amp	Watt	CFM	m <sup>3</sup> /min	inH <sub>2</sub> O	mmH <sub>2</sub> O	dB(A)
A160382H	BO4I2000	24	14~27.6	-10~70	22700	1.58	37.9	73.5	2.08	7.0	177.2	70.6
A160382H	BO4O3000	24	14~27.6	-10~70	21700	1.36	32.7	70.1	1.98	6.3	161.3	68.8
A160382H	BO4I4000	24	14~27.6	-10~70	20600	1.32	31.7	66.2	1.87	5.9	149.4	67.7
A160382H	BO4I5000	24	14~27.6	-10~70	18000	0.81	19.3	60.0	1.70	3.9	98.6	65.1
A160382H	BO4I6000	24	14~27.6	-10~70	16000	0.63	15.1	53.4	1.51	2.9	73.6	62.4
A160382H	BO4I7000	24	14~27.6	-10~70	14000	0.39	9.4	46.2	1.31	2.6	65.8	59.1

for salt spray environment	Model No.	Rated Voltage	Operating Voltage Range	Operating Temp.	Speed	Input Current	Input Power	Maximum Air Flow		Maximum Air Pressure		Noise @1M
		VDC	VDC	°C	RPM	Amp	Watt	CFM	m <sup>3</sup> /min	inH <sub>2</sub> O	mmH <sub>2</sub> O	dB(A)
A160382H	BO4F2000	24	14~27.6	-10~70	22700	1.58	37.9	73.5	2.08	7.0	177.2	70.6
A160382H	BO4F3000	24	14~27.6	-10~70	21700	1.36	32.7	70.1	1.98	6.3	161.3	68.8
A160382H	BO4F4000	24	14~27.6	-10~70	20600	1.32	31.7	66.2	1.87	5.9	149.4	67.7
A160382H	BO4F5000	24	14~27.6	-10~70	18000	0.81	19.3	60.0	1.70	3.9	98.6	65.1
A160382H	BO4F6000	24	14~27.6	-10~70	16000	0.63	15.1	53.4	1.51	2.9	73.6	62.4
A160382H	BO4F7000	24	14~27.6	-10~70	14000	0.39	9.4	46.2	1.31	2.6	65.8	59.1

\* All models are available with GR487 customization options; please contact HUAZHUN sales for details.

Notes: Specifications are subject to change without notice. Please refer to the product data sheet provided by our sales.  
<https://www.i-hzlw.com>

DC Brushless Fan

# 80X80X25 mm

IP68 Rating , Dustproof & Waterproof  
for Salt Spray Environment  
12V

iWATER Fan Series

iSALT Fan Series

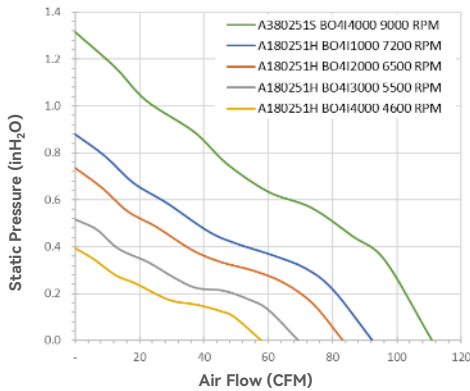
IEC 60068-2-52 standard

RoHS compliant

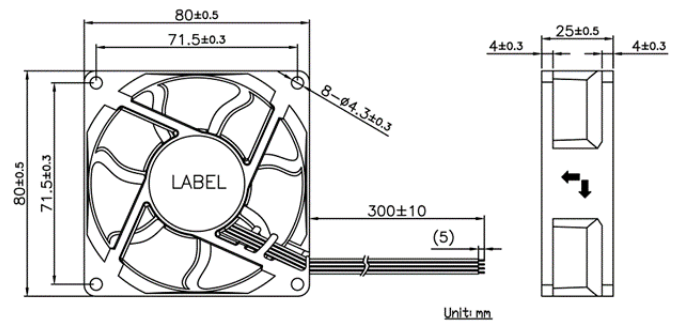


- Housing: Plastic (UL 94V-0)
- Impeller: Plastic (UL 94V-0)
- Bearing: Ball bearings
- Control Options: +/-/FG/PWM
- Weight: 87.5g
- Lead Wires : UL10368 AWG26 OR Equivalent

## ■ Air Flow-Static Pressure Characteristics



## ■ Dimensions drawing (mm)



IP68 Rating		Rated Voltage	Operating Voltage Range	Operating Temp.	Speed	Input Current	Input Power	Maximum Air Flow		Maximum Air Pressure		Noise @1M
Model No.		VDC	VDC	°C	RPM	Amp	Watt	CFM	m <sup>3</sup> /min	inH <sub>2</sub> O	mmH <sub>2</sub> O	dB(A)
A380251S	BO4I4000	12	10~13.8	-10~70	9000	1.95	23.4	110.9	3.14	1.32	33.5	59.5
A180251H	BO4I1000	12	6~13.8	-10~70	7200	1.20	14.4	92.2	2.61	0.88	22.3	58.0
A180251H	BO4I2000	12	6~13.8	-10~70	6500	0.81	9.7	83.1	2.35	0.74	18.7	53.1
A180251H	BO4I3000	12	6~13.8	-10~70	5500	0.48	5.8	69.3	1.96	0.52	13.1	51.5
A180251H	BO4I4000	12	6~13.8	-10~70	4600	0.31	3.7	57.7	1.63	0.39	10.0	43.3

for salt spray environment		Rated Voltage	Operating Voltage Range	Operating Temp.	Speed	Input Current	Input Power	Maximum Air Flow		Maximum Air Pressure		Noise @1M
Model No.		VDC	VDC	°C	RPM	Amp	Watt	CFM	m <sup>3</sup> /min	inH <sub>2</sub> O	mmH <sub>2</sub> O	dB(A)
A380251S	BO4F4000	12	10~13.8	-10~70	9000	1.95	23.4	110.9	3.14	1.32	33.5	59.5
A180251H	BO4F1000	12	6~13.8	-10~70	7200	1.20	14.4	92.2	2.61	0.88	22.3	58.0
A180251H	BO4F2000	12	6~13.8	-10~70	6500	0.81	9.7	83.1	2.35	0.74	18.7	53.1
A180251H	BO4F3000	12	6~13.8	-10~70	5500	0.48	5.8	69.3	1.96	0.52	13.1	51.5
A180251H	BO4F4000	12	6~13.8	-10~70	4600	0.31	3.7	57.7	1.63	0.39	10.0	43.3

\* All models are available with GR487 customization options; please contact HUAZHUN sales for details.

Notes: Specifications are subject to change without notice. Please refer to the product data sheet provided by our sales.  
<https://www.i-hzlw.com>

DC Brushless Fan

# 80X80X25 mm

IP68 Rating , Dustproof & Waterproof  
for Salt Spray Environment  
24V

iWATER Fan Series

iSALT Fan Series

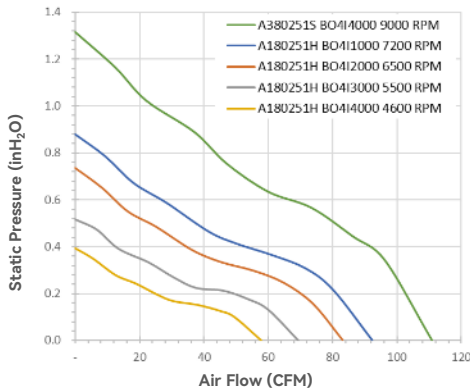
IEC 60068-2-52 standard

RoHS compliant

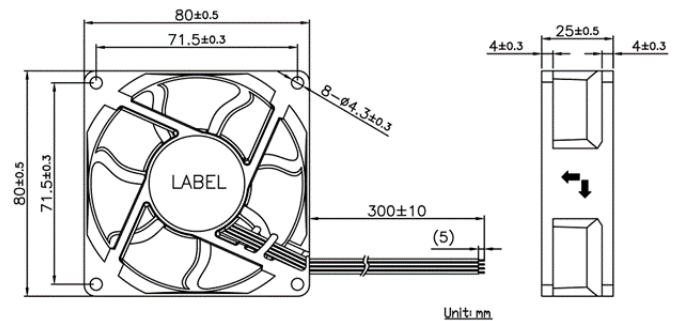


- Housing: Plastic (UL 94V-0)
- Impeller: Plastic (UL 94V-0)
- Bearing: Ball bearings
- Control Options: +/-/FG/PWM
- Weight: 87.5g
- Lead Wires : UL10368 AWG26 OR Equivalent

## ■ Air Flow-Static Pressure Characteristics



## ■ Dimensions drawing (mm)



IP68 Rating		Rated Voltage	Operating Voltage Range	Operating Temp.	Speed	Input Current	Input Power	Maximum Air Flow		Maximum Air Pressure		Noise @1M
Model No.		VDC	VDC	°C	RPM	Amp	Watt	CFM	m <sup>3</sup> /min	inH <sub>2</sub> O	mmH <sub>2</sub> O	dB(A)
A180252H	BO4I3000	24	14~27.6	-10~70	9000	0.98	23.4	110.9	3.14	1.32	33.5	59.5
A180252H	BO4I4000	24	14~27.6	-10~70	7200	0.60	14.4	92.2	2.61	0.88	22.3	58.0
A180252H	BO4I5000	24	14~27.6	-10~70	6500	0.41	9.7	83.1	2.35	0.74	18.7	53.1
A180252H	BO4I6000	24	14~27.6	-10~70	5500	0.24	5.8	69.3	1.96	0.52	13.1	51.5
A180252H	BO4I7000	24	14~27.6	-10~70	4600	0.16	3.7	57.7	1.63	0.39	10.0	43.3

for salt spray environment		Rated Voltage	Operating Voltage Range	Operating Temp.	Speed	Input Current	Input Power	Maximum Air Flow		Maximum Air Pressure		Noise @1M
Model No.		VDC	VDC	°C	RPM	Amp	Watt	CFM	m <sup>3</sup> /min	inH <sub>2</sub> O	mmH <sub>2</sub> O	dB(A)
A180252H	BO4F3000	24	14~27.6	-10~70	9000	0.98	23.4	110.9	3.14	1.32	33.5	59.5
A180252H	BO4F4000	24	14~27.6	-10~70	7200	0.60	14.4	92.2	2.61	0.88	22.3	58.0
A180252H	BO4F5000	24	14~27.6	-10~70	6500	0.41	9.7	83.1	2.35	0.74	18.7	53.1
A180252H	BO4F6000	24	14~27.6	-10~70	5500	0.24	5.8	69.3	1.96	0.52	13.1	51.5
A180252H	BO4F7000	24	14~27.6	-10~70	4600	0.16	3.7	57.7	1.63	0.39	10.0	43.3

\* All models are available with GR487 customization options; please contact HUAZHUN sales for details.

Notes: Specifications are subject to change without notice. Please refer to the product data sheet provided by our sales.  
<https://www.i-hzlw.com>

DC Brushless Fan

# 80X80X38 mm

IP68 Rating , Dustproof & Waterproof  
for Salt Spray Environment  
12V

iWATER Fan Series

iSALT Fan Series

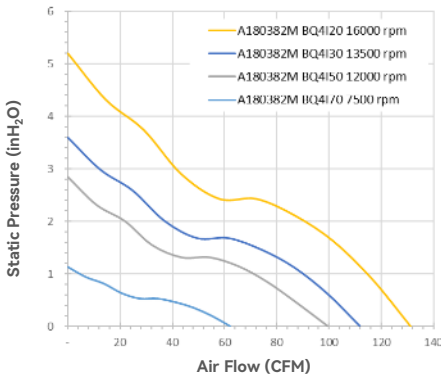
IEC 60068-2-52 standard

RoHS compliant

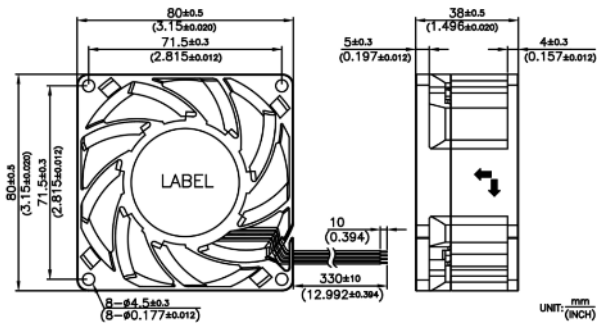


- Housing: Plastic (UL 94V-0)
- Impeller: Plastic (UL 94V-0)
- Bearing: Ball bearings
- Control Options: +/-/FG/PWM
- Weight: 148 g
- Lead Wires : UL10368 AWG22 OR Equivalent

## ■ Air Flow-Static Pressure Characteristics



## ■ Dimensions drawing (mm)



IP68 Rating		Rated Voltage	Operating Voltage Range	Operating Temp.	Speed	Input Current	Input Power	Maximum Air Flow		Maximum Air Pressure		Noise @1M
Model No.		VDC	VDC	°C	RPM	Amp	Watt	CFM	m <sup>3</sup> /min	inH <sub>2</sub> O	mmH <sub>2</sub> O	dB(A)
A380381H	BQ4I20	12	10~13.8	-10~70	16000	4.40	52.8	131.3	3.7	5.20	132.0	73.2
A180381H	BQ4I30	12	7~13.8	-10~70	13500	2.40	28.8	111.9	3.2	3.60	91.3	70.3
A180381M	BQ4I50	12	7~13.8	-10~70	12000	1.80	21.6	99.5	2.8	2.84	72.2	65.5
A180381M	BQ4I70	12	7~13.8	-10~70	7500	0.50	6.00	62.1	1.8	1.14	28.8	55.0

for salt spray environment		Rated Voltage	Operating Voltage Range	Operating Temp.	Speed	Input Current	Input Power	Maximum Air Flow		Maximum Air Pressure		Noise @1M
Model No.		VDC	VDC	°C	RPM	Amp	Watt	CFM	m <sup>3</sup> /min	inH <sub>2</sub> O	mmH <sub>2</sub> O	dB(A)
A380381H	BQ4F20	12	10~13.8	-10~70	16000	4.40	52.8	131.3	3.7	5.20	132.0	73.2
A180381H	BQ4F30	12	7~13.8	-10~70	13500	2.40	28.8	111.9	3.2	3.60	91.3	70.3
A180381M	BQ4F50	12	7~13.8	-10~70	12000	1.80	21.6	99.5	2.8	2.84	72.2	65.5
A180381M	BQ4F70	12	7~13.8	-10~70	7500	0.50	6.00	62.1	1.8	1.14	28.8	55.0

\* All models are available with GR487 customization options; please contact HUAZHUN sales for details.

Notes: Specifications are subject to change without notice. Please refer to the product data sheet provided by our sales.  
<https://www.i-hzlw.com>

DC Brushless Fan

# 80X80X38 mm

IP68 Rating , Dustproof & Waterproof  
for Salt Spray Environment  
24V

iWATER Fan Series

iSALT Fan Series

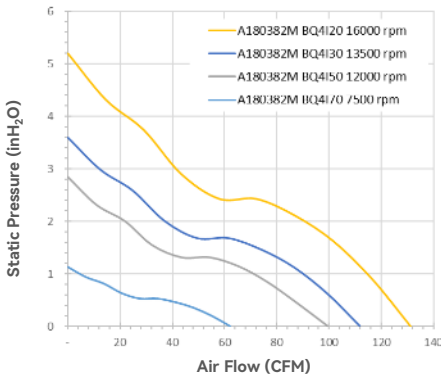
IEC 60068-2-52 standard

RoHS compliant

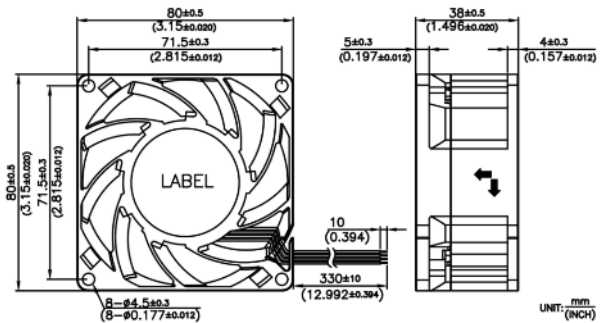


- Housing: Plastic (UL 94V-0)
- Impeller: Plastic (UL 94V-0)
- Bearing: Ball bearings
- Control Options: +/-/FG/PWM
- Weight: 148 g
- Lead Wires : UL10368 AWG22 OR Equivalent

## ■ Air Flow-Static Pressure Characteristics



## ■ Dimensions drawing (mm)



IP68 Rating		Rated Voltage	Operating Voltage Range	Operating Temp.	Speed	Input Current	Input Power	Maximum Air Flow		Maximum Air Pressure		Noise @1M
Model No.		VDC	VDC	°C	RPM	Amp	Watt	CFM	m <sup>3</sup> /min	inH <sub>2</sub> O	mmH <sub>2</sub> O	dB(A)
A180382M	BQ4I20	24	14~27.6	-10~70	16000	2.20	52.8	131.3	3.7	5.20	132.0	73.2
A180382M	BQ4I30	24	14~27.6	-10~70	13500	1.20	28.8	111.9	3.2	3.60	91.3	70.3
A180382M	BQ4I50	24	14~27.6	-10~70	12000	0.90	21.6	99.5	2.8	2.84	72.2	65.5
A180382M	BQ4I70	24	14~27.6	-10~70	7500	0.25	6.00	62.1	1.8	1.14	28.8	55.0

for salt spray environment		Rated Voltage	Operating Voltage Range	Operating Temp.	Speed	Input Current	Input Power	Maximum Air Flow		Maximum Air Pressure		Noise @1M
Model No.		VDC	VDC	°C	RPM	Amp	Watt	CFM	m <sup>3</sup> /min	inH <sub>2</sub> O	mmH <sub>2</sub> O	dB(A)
A180382M	BQ4F20	24	14~27.6	-10~70	16000	2.20	52.8	131.3	3.7	5.20	132.0	73.2
A180382M	BQ4F30	24	14~27.6	-10~70	13500	1.20	28.8	111.9	3.2	3.60	91.3	70.3
A180382M	BQ4F50	24	14~27.6	-10~70	12000	0.90	21.6	99.5	2.8	2.84	72.2	65.5
A180382M	BQ4F70	24	14~27.6	-10~70	7500	0.25	6.00	62.1	1.8	1.14	28.8	55.0

\* All models are available with GR487 customization options; please contact HUAZHUN sales for details.

Notes: Specifications are subject to change without notice. Please refer to the product data sheet provided by our sales.  
<https://www.i-hzlw.com>

DC Brushless Fan

# 92X92X25 mm

IP68 Rating , Dustproof & Waterproof  
for Salt Spray Environment  
12V

iWATER Fan Series

iSALT Fan Series

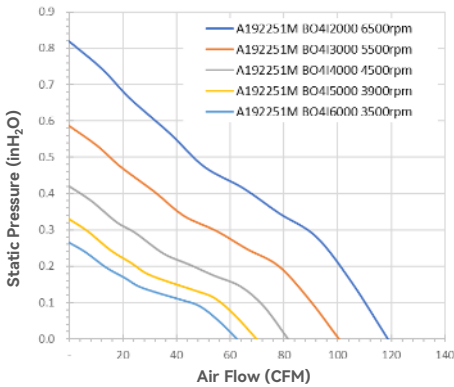
IEC 60068-2-52 standard

RoHS compliant

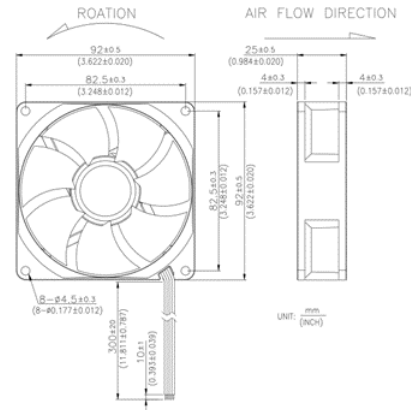


- Housing: Plastic (UL 94V-0)
- Impeller: Plastic (UL 94V-0)
- Bearing: Ball bearings
- Control Options: +/-/FG/PWM
- Weight: 109.8 g
- Lead Wires : UL10368 AWG26 OR Equivalent

### ■ Air Flow-Static Pressure Characteristics



### ■ Dimensions drawing (mm)



IP68 Rating		Rated Voltage	Operating Voltage Range	Operating Temp.	Speed	Input Current	Input Power	Maximum Air Flow		Maximum Air Pressure		Noise @1M
Model No.		VDC	VDC	°C	RPM	Amp	Watt	CFM	m <sup>3</sup> /min	inH <sub>2</sub> O	mmH <sub>2</sub> O	dB(A)
A192251M	BO4I2000	12	6~13.8	-10~70	6500	1.50	18.0	118.7	3.36	0.82	20.8	57.8
A192251M	BO4I3000	12	6~13.8	-10~70	5500	0.93	11.1	100.4	2.84	0.59	14.9	51.0
A192251M	BO4I4000	12	6~13.8	-10~70	4500	0.45	5.3	81.7	2.31	0.42	10.7	46.5
A192251M	BO4I5000	12	6~13.8	-10~70	3900	0.29	3.4	69.8	1.97	0.33	8.4	42.0
A192251M	BO4I6000	12	6~13.8	-10~70	3500	0.21	2.5	62.6	1.77	0.27	6.7	38.4

for salt spray environment		Rated Voltage	Operating Voltage Range	Operating Temp.	Speed	Input Current	Input Power	Maximum Air Flow		Maximum Air Pressure		Noise @1M
Model No.		VDC	VDC	°C	RPM	Amp	Watt	CFM	m <sup>3</sup> /min	inH <sub>2</sub> O	mmH <sub>2</sub> O	dB(A)
A192251M	BO4F2000	12	6~13.8	-10~70	6500	1.50	18.0	118.7	3.36	0.82	20.8	57.8
A192251M	BO4F3000	12	6~13.8	-10~70	5500	0.93	11.1	100.4	2.84	0.59	14.9	51.0
A192251M	BO4F4000	12	6~13.8	-10~70	4500	0.45	5.3	81.7	2.31	0.42	10.7	46.5
A192251M	BO4F5000	12	6~13.8	-10~70	3900	0.29	3.4	69.8	1.97	0.33	8.4	42.0
A192251M	BO4F6000	12	6~13.8	-10~70	3500	0.21	2.5	62.6	1.77	0.27	6.7	38.4

\* All models are available with GR487 customization options; please contact HUAZHUN sales for details.

Notes: Specifications are subject to change without notice. Please refer to the product data sheet provided by our sales.  
<https://www.i-hzlw.com>

DC Brushless Fan

# 92X92X25 mm

IP68 Rating , Dustproof & Waterproof  
for Salt Spray Environment  
24V

iWATER Fan Series

iSALT Fan Series

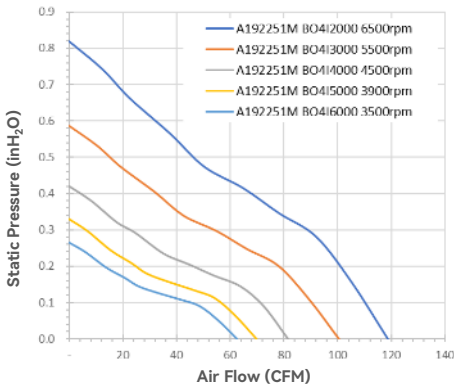
IEC 60068-2-52 standard

RoHS compliant

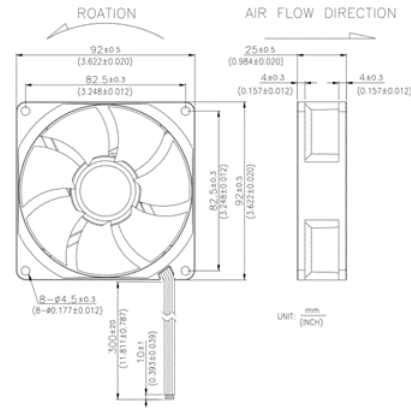


- Housing: Plastic (UL 94V-0)
- Impeller: Plastic (UL 94V-0)
- Bearing: Ball bearings
- Control Options: +/-/FG/PWM
- Weight: 109.8 g
- Lead Wires : UL10368 AWG26 OR Equivalent

### ■ Air Flow-Static Pressure Characteristics



### ■ Dimensions drawing (mm)



IP68 Rating		Rated Voltage	Operating Voltage Range	Operating Temp.	Speed	Input Current	Input Power	Maximum Air Flow		Maximum Air Pressure		Noise @1M
Model No.		VDC	VDC	°C	RPM	Amp	Watt	CFM	m <sup>3</sup> /min	inH <sub>2</sub> O	mmH <sub>2</sub> O	dB(A)
A192252M	BO4I2000	24	14~27.6	-10~70	6500	0.75	18.0	118.7	3.36	0.82	20.8	57.8
A192252M	BO4I3000	24	14~27.6	-10~70	5500	0.46	11.1	100.4	2.84	0.59	14.9	51.0
A192252M	BO4I4000	24	14~27.6	-10~70	4500	0.22	5.3	81.7	2.31	0.42	10.7	46.5
A192252M	BO4I5000	24	14~27.6	-10~70	3900	0.14	3.4	69.8	1.97	0.33	8.4	42.0
A192252M	BO4I6000	24	14~27.6	-10~70	3500	0.10	2.5	62.6	1.77	0.27	6.7	38.4

for salt spray environment		Rated Voltage	Operating Voltage Range	Operating Temp.	Speed	Input Current	Input Power	Maximum Air Flow		Maximum Air Pressure		Noise @1M
Model No.		VDC	VDC	°C	RPM	Amp	Watt	CFM	m <sup>3</sup> /min	inH <sub>2</sub> O	mmH <sub>2</sub> O	dB(A)
A192252M	BO4F2000	24	14~27.6	-10~70	6500	0.75	18.0	118.7	3.36	0.82	20.8	57.8
A192252M	BO4F3000	24	14~27.6	-10~70	5500	0.46	11.1	100.4	2.84	0.59	14.9	51.0
A192252M	BO4F4000	24	14~27.6	-10~70	4500	0.22	5.3	81.7	2.31	0.42	10.7	46.5
A192252M	BO4F5000	24	14~27.6	-10~70	3900	0.14	3.4	69.8	1.97	0.33	8.4	42.0
A192252M	BO4F6000	24	14~27.6	-10~70	3500	0.10	2.5	62.6	1.77	0.27	6.7	38.4

\* All models are available with GR487 customization options; please contact HUAZHUN sales for details.

Notes: Specifications are subject to change without notice. Please refer to the product data sheet provided by our sales.  
<https://www.i-hzlw.com>

DC Brushless Fan

# 92X92X38 mm

IP68 Rating , Dustproof & Waterproof  
for Salt Spray Environment

iWATER Fan Series

iSALT Fan Series

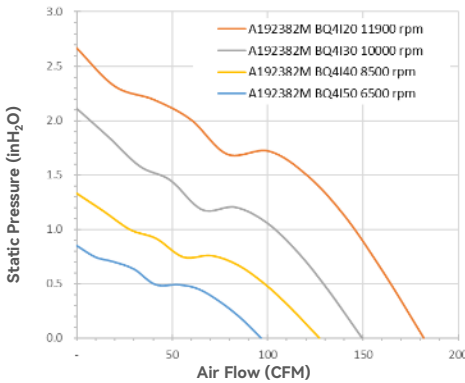
IEC 60068-2-52 standard

RoHS compliant

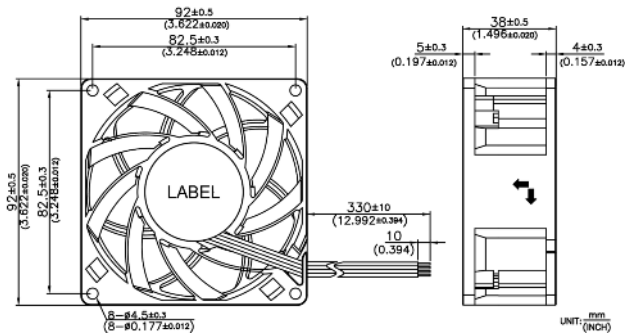


- Housing: Plastic (UL 94V-0)
- Impeller: Plastic (UL 94V-0)
- Bearing: Ball bearings
- Control Options: +/-/FG/PWM
- Weight: 259g
- Lead Wires : UL10368 AWG22 OR Equivalent

## ■ Air Flow-Static Pressure Characteristics



## ■ Dimensions drawing (mm)



IP68 Rating		Rated Voltage	Operating Voltage Range	Operating Temp.	Speed	Input Current	Input Power	Maximum Air Flow		Maximum Air Pressure		Noise @1M
Model No.		VDC	VDC	°C	RPM	Amp	Watt	CFM	m <sup>3</sup> /min	inH <sub>2</sub> O	mmH <sub>2</sub> O	dB(A)
A192381M	BQ4130	12	7~13.8	-10~70	10000	2.40	28.8	149.6	4.2	2.11	48.7	62.0
A192381M	BQ4140	12	7~13.8	-10~70	8500	1.54	18.5	127.1	3.6	1.33	30.0	58.5
A192381M	BQ4150	12	7~13.8	-10~70	6500	0.71	8.5	96.5	2.7	0.85	21.6	52.9
A192382M	BQ4120	24	14~27.6	-10~70	11900	2.15	51.6	181.8	5.1	2.67	67.8	69.0
A192382M	BQ4130	24	14~27.6	-10~70	10000	1.20	28.8	149.6	4.2	2.11	48.7	62.0
A192382M	BQ4140	24	14~27.6	-10~70	8500	0.77	18.5	127.1	3.6	1.33	30.0	58.5
A192382M	BQ4150	24	14~27.6	-10~70	6500	0.35	8.5	96.5	2.7	0.85	21.6	52.9

for salt spray environment		Rated Voltage	Operating Voltage Range	Operating Temp.	Speed	Input Current	Input Power	Maximum Air Flow		Maximum Air Pressure		Noise @1M
Model No.		VDC	VDC	°C	RPM	Amp	Watt	CFM	m <sup>3</sup> /min	inH <sub>2</sub> O	mmH <sub>2</sub> O	dB(A)
A192381M	BQ4F30	12	7~13.8	-10~70	10000	2.40	28.8	149.6	4.2	2.11	48.7	62.0
A192381M	BQ4F40	12	7~13.8	-10~70	8500	1.54	18.5	127.1	3.6	1.33	30.0	58.5
A192381M	BQ4F50	12	7~13.8	-10~70	6500	0.71	8.5	96.5	2.7	0.85	21.6	52.9
A192382M	BQ4F20	24	14~27.6	-10~70	11900	2.15	51.6	181.8	5.1	2.67	67.8	69.0
A192382M	BQ4F30	24	14~27.6	-10~70	10000	1.20	28.8	149.6	4.2	2.11	48.7	62.0
A192382M	BQ4F40	24	14~27.6	-10~70	8500	0.77	18.5	127.1	3.6	1.33	30.0	58.5
A192382M	BQ4F50	24	14~27.6	-10~70	6500	0.35	8.5	96.5	2.7	0.85	21.6	52.9

\* All models are available with GR487 customization options; please contact HUAZHUN sales for details.  
Notes: Specifications are subject to change without notice. Please refer to the product data sheet provided by our sales.  
<https://www.i-hzlw.com>

DC Brushless Fan

# 120X120X25 mm

IP68 Rating , Dustproof & Waterproof  
12V

iWATER Fan Series

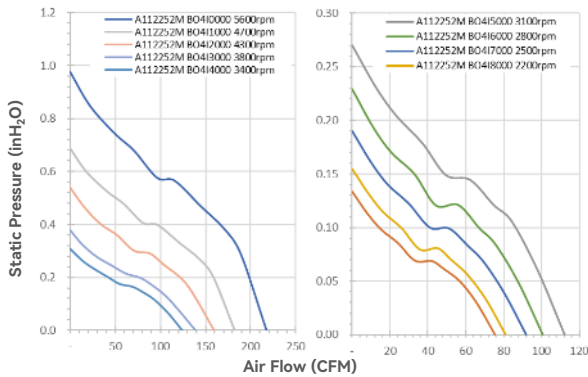
IEC 60068-2-52 standard

RoHS compliant

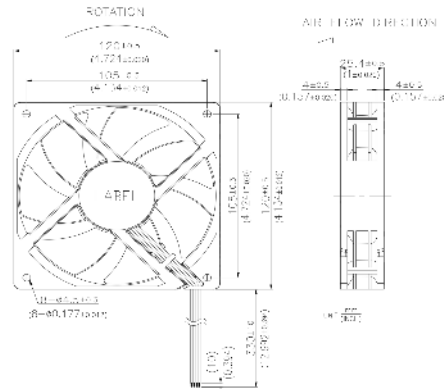


- Housing: Plastic (UL 94V-0)
- Impeller: Plastic (UL 94V-0)
- Bearing: Ball bearings
- Control Options: +/-/FG/PWM
- Weight: 203 g
- Lead Wires : UL10368 AWG22 OR Equivalent

## ■ Air Flow-Static Pressure Characteristics



## ■ Dimensions drawing (mm)



IP68 Rating		Rated Voltage	Operating Voltage Range	Operating Temp.	Speed	Input Current	Input Power	Maximum Air Flow		Maximum Air Pressure		Noise @1M
Model No.								VDC	VDC	°C	RPM	
A112251M	BO4I1000	12	6~13.8	-10~70	4700	1.305	15.66	182.7	5.2	0.69	17.5	57.2
A112251M	BO4I2000	12	6~13.8	-10~70	4300	1.040	12.48	159.7	4.5	0.54	13.7	54.2
A112251M	BO4I3000	12	6~13.8	-10~70	3800	0.667	8.00	139.2	3.9	0.38	9.6	51.0
A112251M	BO4I4000	12	6~13.8	-10~70	3400	0.480	5.76	124.2	3.5	0.31	7.8	48.7
A112251M	BO4I5000	12	6~13.8	-10~70	3100	0.378	4.53	112.4	3.2	0.27	6.9	46.1
A112251M	BO4I6000	12	6~13.8	-10~70	2800	0.273	3.28	100.8	2.9	0.23	5.8	42.5
A112251M	BO4I7000	12	6~13.8	-10~70	2500	0.230	2.76	92.0	2.6	0.19	4.8	39.3
A112251M	BO4I8000	12	6~13.8	-10~70	2200	0.169	2.03	81.2	2.3	0.15	3.9	35.7
A112251M	BO4I9000	12	6~13.8	-10~70	2050	0.143	1.72	75.4	2.1	0.13	3.4	33.7

Notes: Specifications are subject to change without notice. Please refer to the product data sheet provided by our sales.  
<https://www.i-hzlw.com>

DC Brushless Fan

# 120X120X25 mm

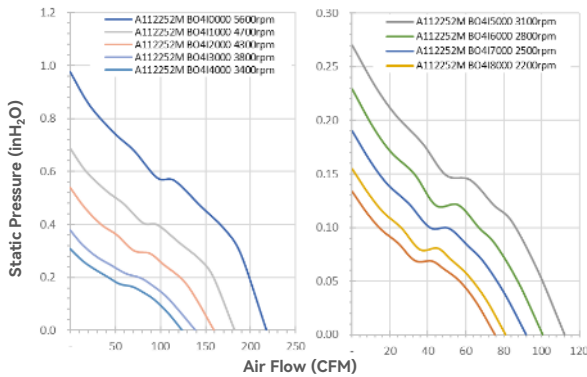
for Salt Spray Environment  
12V

iSALT Fan Series  
IEC 60068-2-52 standard  
RoHS compliant

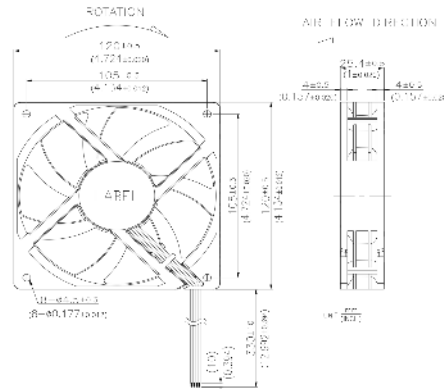


- Housing: Plastic (UL 94V-0)
- Impeller: Plastic (UL 94V-0)
- Bearing: Ball bearings
- Control Options: +/-/FG/PWM
- Weight: 203 g
- Lead Wires : UL10368 AWG22 OR Equivalent

## ■ Air Flow-Static Pressure Characteristics



## ■ Dimensions drawing (mm)



for salt spray environment Model No.		Rated Voltage	Operating Voltage Range	Operating Temp.	Speed	Input Current	Input Power	Maximum Air Flow		Maximum Air Pressure		Noise @1M
		VDC	VDC	°C	RPM	Amp	Watt	CFM	m <sup>3</sup> /min	inH <sub>2</sub> O	mmH <sub>2</sub> O	dB(A)
A112251M	BO4I1000	12	6~13.8	-10~70	4700	1.305	15.66	182.7	5.2	0.69	17.5	57.2
A112251M	BO4I2000	12	6~13.8	-10~70	4300	1.040	12.48	159.7	4.5	0.54	13.7	54.2
A112251M	BO4I3000	12	6~13.8	-10~70	3800	0.667	8.00	139.2	3.9	0.38	9.6	51.0
A112251M	BO4I4000	12	6~13.8	-10~70	3400	0.480	5.76	124.2	3.5	0.31	7.8	48.7
A112251M	BO4I5000	12	6~13.8	-10~70	3100	0.378	4.53	112.4	3.2	0.27	6.9	46.1
A112251M	BO4I6000	12	6~13.8	-10~70	2800	0.273	3.28	100.8	2.9	0.23	5.8	42.5
A112251M	BO4I7000	12	6~13.8	-10~70	2500	0.230	2.76	92.0	2.6	0.19	4.8	39.3
A112251M	BO4I8000	12	6~13.8	-10~70	2200	0.169	2.03	81.2	2.3	0.15	3.9	35.7
A112251M	BO4I9000	12	6~13.8	-10~70	2050	0.143	1.72	75.4	2.1	0.13	3.4	33.7

\* All models are available with GR487 customization options; please contact HUAZHUN sales for details.

Notes: Specifications are subject to change without notice. Please refer to the product data sheet provided by our sales.  
<https://www.i-hzlw.com>

DC Brushless Fan

# 120X120X25 mm

IP68 Rating , Dustproof & Waterproof  
24V

iWATER Fan Series

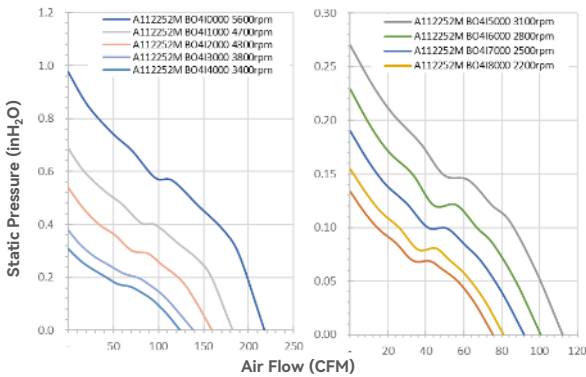
IEC 60068-2-52 standard

RoHS compliant

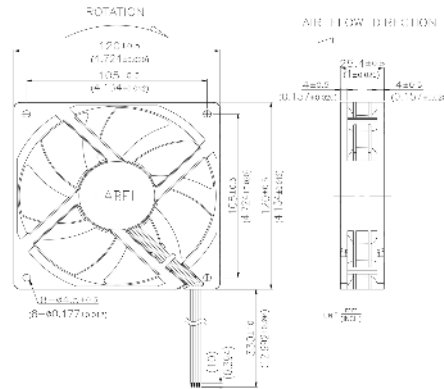


- Housing: Plastic (UL 94V-0)
- Impeller: Plastic (UL 94V-0)
- Bearing: Ball bearings
- Control Options: +/-/FG/PWM
- Weight: 203 g
- Lead Wires : UL10368 AWG22 OR Equivalent

## ■ Air Flow-Static Pressure Characteristics



## ■ Dimensions drawing (mm)



IP68 Rating		Rated Voltage	Operating Voltage Range	Operating Temp.	Speed	Input Current	Input Power	Maximum Air Flow		Maximum Air Pressure		Noise @1M
Model No.								VDC	VDC	°C	RPM	
A112252M	BO4I0000	24	14~27.6	-10~70	5600	1.104	26.49	217.7	6.2	0.98	24.8	60.6
A112252M	BO4I1000	24	14~27.6	-10~70	4700	0.653	15.66	182.7	5.2	0.69	17.5	57.2
A112252M	BO4I2000	24	14~27.6	-10~70	4300	0.520	12.48	159.7	4.5	0.54	13.7	54.2
A112252M	BO4I3000	24	14~27.6	-10~70	3800	0.333	8.00	139.2	3.9	0.38	9.6	51.0
A112252M	BO4I4000	24	14~27.6	-10~70	3400	0.240	5.76	124.2	3.5	0.31	7.8	48.7
A112252M	BO4I5000	24	14~27.6	-10~70	3100	0.189	4.53	112.4	3.2	0.27	6.9	46.1
A112252M	BO4I6000	24	14~27.6	-10~70	2800	0.136	3.28	100.8	2.9	0.23	5.8	42.5
A112252M	BO4I7000	24	14~27.6	-10~70	2500	0.115	2.76	92.0	2.6	0.19	4.8	39.3
A112252M	BO4I8000	24	14~27.6	-10~70	2200	0.084	2.03	81.2	2.3	0.15	3.9	35.7
A112252M	BO4I9000	24	14~27.6	-10~70	2050	0.072	1.72	75.4	2.1	0.13	3.4	33.7

Notes: Specifications are subject to change without notice. Please refer to the product data sheet provided by our sales.  
<https://www.i-hzlw.com>

DC Brushless Fan

# 120X120X25 mm

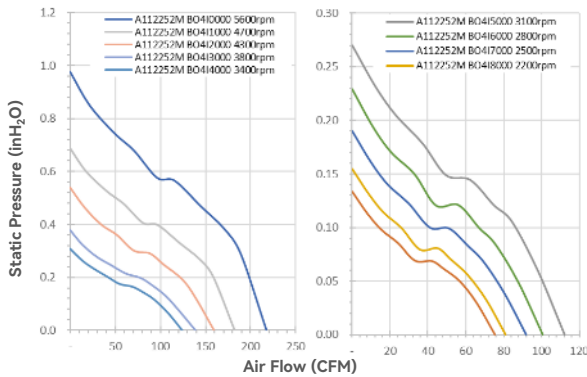
for Salt Spray Environment  
24V

iSALT Fan Series  
IEC 60068-2-52 standard  
RoHS compliant

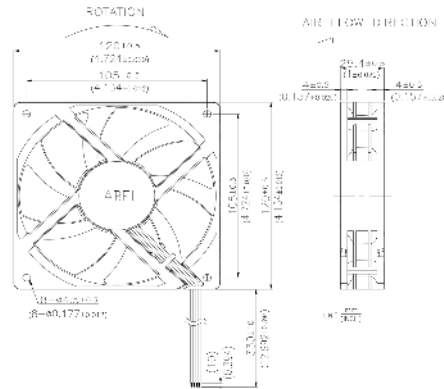


- Housing: Plastic (UL 94V-0)
- Impeller: Plastic (UL 94V-0)
- Bearing: Ball bearings
- Control Options: +/-/FG/PWM
- Weight: 203 g
- Lead Wires : UL10368 AWG22 OR Equivalent

## ■ Air Flow-Static Pressure Characteristics



## ■ Dimensions drawing (mm)



Meets GR487 Model No.		Rated Voltage	Operating Voltage Range	Operating Temp.	Speed	Input Current	Input Power	Maximum Air Flow		Maximum Air Pressure		Noise @1M
		VDC	VDC	°C	RPM	Amp	Watt	CFM	m <sup>3</sup> /min	inH <sub>2</sub> O	mmH <sub>2</sub> O	dB(A)
A112252M	BO4F0000	24	14~27.6	-10~70	5600	1.104	26.49	217.7	6.2	0.98	24.8	60.6
A112252M	BO4F1000	24	14~27.6	-10~70	4700	0.653	15.66	182.7	4.5	0.69	13.7	54.2
A112252M	BO4F2000	24	14~27.6	-10~70	4300	0.520	12.48	159.7	3.9	0.54	9.6	51.0
A112252M	BO4F3000	24	14~27.6	-10~70	3800	0.333	8.00	139.2	3.5	0.38	7.8	48.7
A112252M	BO4F4000	24	14~27.6	-10~70	3400	0.240	5.76	124.2	3.2	0.31	6.9	46.1
A112252M	BO4F5000	24	14~27.6	-10~70	3100	0.189	4.53	112.4	2.9	0.27	5.8	42.5
A112252M	BO4F6000	24	14~27.6	-10~70	2800	0.136	3.28	100.8	2.6	0.23	4.8	39.3
A112252M	BO4F7000	24	14~27.6	-10~70	2500	0.115	2.76	92.0	2.6	0.19	4.8	39.3
A112252M	BO4F8000	24	14~27.6	-10~70	2200	0.084	2.03	81.2	2.3	0.15	3.9	35.7
A112252M	BO4F9000	24	14~27.6	-10~70	2050	0.072	1.72	75.4	2.1	0.13	3.4	33.7

\* All models are available with GR487 customization options; please contact HUAZHUN sales for details.

Notes: Specifications are subject to change without notice. Please refer to the product data sheet provided by our sales.  
<https://www.i-hzlw.com>

DC Brushless Fan

# 120X120X38 mm

IP68 Rating , Dustproof & Waterproof

iWATER Fan Series

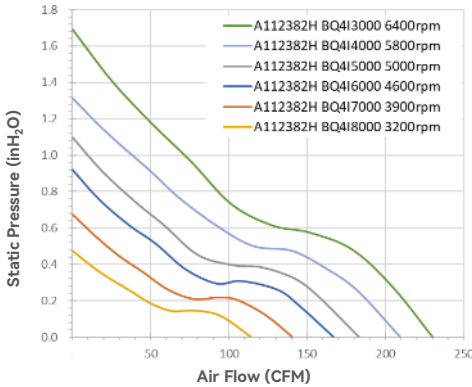
IEC 60068-2-52 standard

RoHS compliant

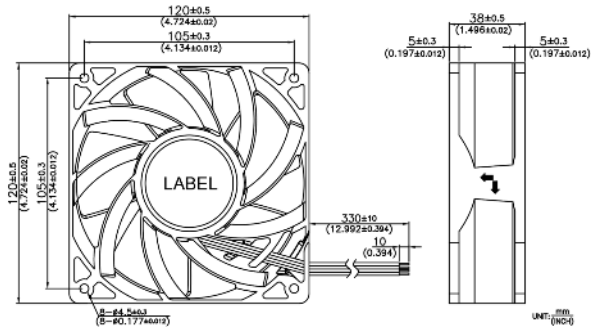


- Housing: Plastic (UL 94V-0)
- Impeller: Plastic (UL 94V-0)
- Bearing: Ball bearings
- Control Options: +/-/FG/PWM
- Weight: 342g
- Lead Wires : UL10368 AWG22 OR Equivalent

## ■ Air Flow-Static Pressure Characteristics



## ■ Dimensions drawing (mm)



IP68 Rating		Rated Voltage	Operating Voltage Range	Operating Temp.	Speed	Input Current	Input Power	Maximum Air Flow		Maximum Air Pressure		Noise @1M
Model No.								VDC	VDC	°C	RPM	
A112381H	BQ4I6000	12	7~13.8	-10~70	4600	1.33	15.9	166.4	4.7	0.92	23.4	58.4
A112381H	BQ4I7000	12	7~13.8	-10~70	3900	0.81	9.7	140.2	4.0	0.67	17.1	53.6
A112381H	BQ4I8000	12	7~13.8	-10~70	3200	0.45	5.4	114.0	3.2	0.47	12.1	48.4
A112382H	BQ4I3000	24	14~27.6	-10~70	6400	1.87	44.9	233.2	6.6	1.68	42.8	67.0
A112382H	BQ4I4000	24	14~27.6	-10~70	5800	1.33	31.9	209.2	5.9	1.40	35.5	64.2
A112382H	BQ4I5000	24	14~27.6	-10~70	5000	0.90	21.6	183.1	5.2	1.10	27.9	60.8
A112382H	BQ4I6000	24	14~27.6	-10~70	4600	0.66	15.9	166.4	4.7	0.92	23.4	58.4
A112382H	BQ4I7000	24	14~27.6	-10~70	3900	0.40	9.7	140.2	4.0	0.67	17.1	53.6
A112382H	BQ4I8000	24	14~27.6	-10~70	3200	0.22	5.4	114.0	3.2	0.47	12.1	48.4

Notes: Specifications are subject to change without notice. Please refer to the product data sheet provided by our sales.  
<https://www.i-hzlw.com>

DC Brushless Fan

# 120X120X38 mm

for Salt Spray Environment

iSALT Fan Series

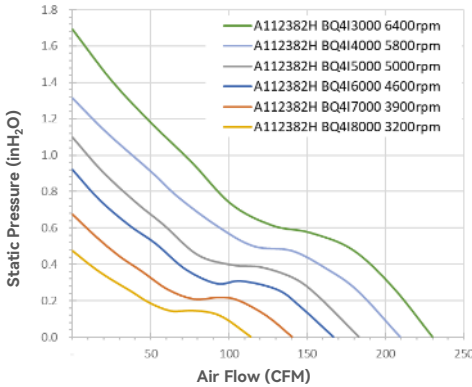
IEC 60068-2-52 standard

RoHS compliant

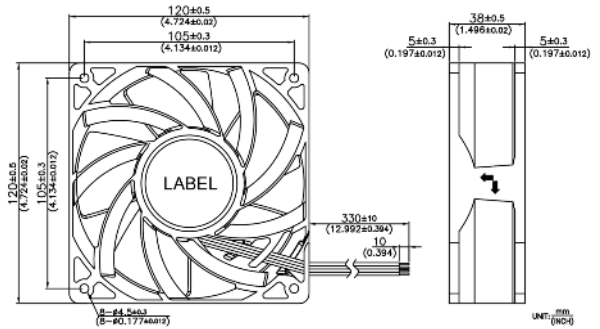


- Housing: Plastic (UL 94V-0)
- Impeller: Plastic (UL 94V-0)
- Bearing: Ball bearings
- Control Options: +/-/FG/PWM
- Weight: 342g
- Lead Wires : UL10368 AWG22 OR Equivalent

## ■ Air Flow-Static Pressure Characteristics



## ■ Dimensions drawing (mm)



for salt spray environment Model No.		Rated Voltage	Operating Voltage Range	Operating Temp.	Speed	Input Current	Input Power	Maximum Air Flow		Maximum Air Pressure		Noise @1M
		VDC	VDC	°C	RPM	Amp	Watt	CFM	m <sup>3</sup> /min	inH <sub>2</sub> O	mmH <sub>2</sub> O	dB(A)
A112381H	BQ4F6000	12	7~13.8	-10~70	4600	1.33	15.9	166.4	4.7	0.92	23.4	58.4
A112381H	BQ4F7000	12	7~13.8	-10~70	3900	0.81	9.7	140.2	4.0	0.67	17.1	53.6
A112381H	BQ4F8000	12	7~13.8	-10~70	3200	0.45	5.4	114.0	3.2	0.47	12.1	48.4
A112382H	BQ4F3000	24	14~27.6	-10~70	6400	1.87	44.9	233.2	6.6	1.68	42.8	67.0
A112382H	BQ4F4000	24	14~27.6	-10~70	5800	1.33	31.9	209.2	5.9	1.40	35.5	64.2
A112382H	BQ4F5000	24	14~27.6	-10~70	5000	0.90	21.6	183.1	5.2	1.10	27.9	60.8
A112382H	BQ4F6000	24	14~27.6	-10~70	4600	0.66	15.9	166.4	4.7	0.92	23.4	58.4
A112382H	BQ4F7000	24	14~27.6	-10~70	3900	0.40	9.7	140.2	4.0	0.67	17.1	53.6
A112382H	BQ4F8000	24	14~27.6	-10~70	3200	0.22	5.4	114.0	3.2	0.47	12.1	48.4

\* All models are available with GR487 customization options; please contact HUAZHUN sales for details.

Notes: Specifications are subject to change without notice. Please refer to the product data sheet provided by our sales.  
<https://www.i-hzlw.com>

# HUAZHUN

Stay Cool. Stay Ahead.

## Huazhun Tech Co., Ltd

<https://www.i-hzlw.com>

[huazhun@i-huazhun.com](mailto:huazhun@i-huazhun.com)

ADD: 2F.-1, No. 110, Sanduo 4th Rd., Lingya Dist., Kaohsiung City 802, Taiwan

TEL: +886-7-2692979



WEBSITE