



# iCAR FAN

Meet the diverse applications  
of electric vehicles

**DC BRUSHLESS**  
Axial Fan and Blower  
RoHS compliant

**HUAZHUN**



# HUAZHUN iCAR FAN Series

Meet the diverse applications of electric vehicles

Huazhun iCAR Fan High-Temperature Series is engineered specifically for automotive cooling performance. Designed for high reliability and extreme temperature endurance, it operates from -40 to 95°C / 105°C and meets stringent standards such as AEC-Q automotive qualification and EMC/ESD protection.

## CONTECT

DC BLOWER	
Fan Size (mm)	Page
30X30X10	3

DC FAN	
Fan Size (mm)	Page
25X25X10	4
30X30X10	5
40X40X10	7
40X40X20	10
50X50X15	13
60X60X25	16
80X80X25	19
92X92X25	22
120X120X25	23

# DC Brushless Blower

# 30X30X10 mm

Low Noise , High Operating Temperature 95 °C

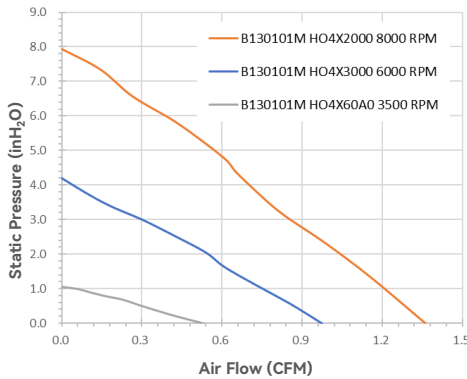
# iCar Fan Series

RoHS compliant  
IATF 16949 Certification  
AEC-Q

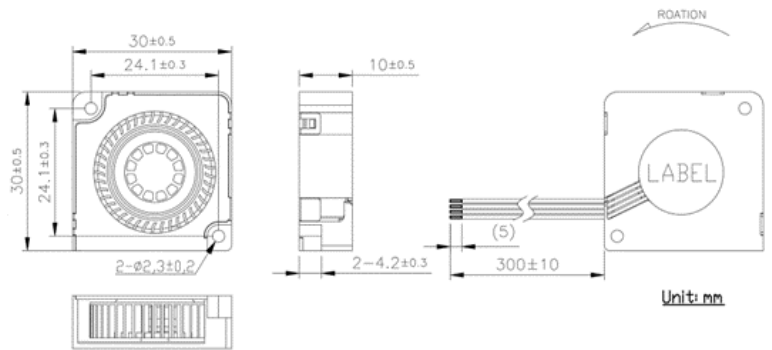


- Housing: Plastic (UL 94V-0)
- Impeller: Plastic (UL 94V-0)
- Bearing: Hydraulic bearings
- Control Options: +/-/FG/PWM
- Weight: 8.1 g

## ■ Air Flow-Static Pressure Characteristics



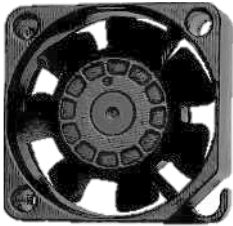
## ■ Dimensions drawing (mm)



Model No.	Rated Voltage	Operating Voltage Range	Operating Temp.	Speed	Input Current	Input Power	Maximum Air Flow		Maximum Air Pressure		Noise @10CM
	VDC	VDC	°C	RPM	Amp	Watt	CFM	m <sup>3</sup> /min	inH <sub>2</sub> O	mmH <sub>2</sub> O	dB(A)
B130100M HO4X2000	5	4~6	-20~95	8000	0.160	0.80	1.36	0.039	0.313	7.95	29.8
B130100M HO4X3000	5	4~6	-20~95	6000	0.086	0.43	0.98	0.028	0.165	4.20	22.5
B130100M HO4X60A0	5	4~6	-20~95	3500	0.032	0.16	0.53	0.015	0.046	1.06	16.1
B130101M HO4X2000	12	8~16	-20~95	8000	0.067	0.80	1.36	0.039	0.313	7.95	29.8
B130101M HO4X3000	12	8~16	-20~95	6000	0.036	0.43	0.98	0.028	0.165	4.20	22.5
B130101M HO4X60A0	12	8~16	-20~95	3500	0.013	0.16	0.53	0.015	0.046	1.06	16.1

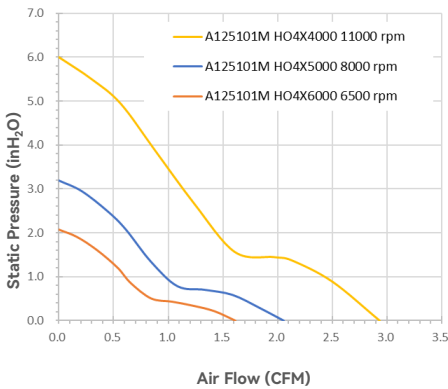
AEC-Q Model No.	Rated Voltage	Operating Voltage Range	Operating Temp.	Speed	Input Current	Input Power	Maximum Air Flow		Maximum Air Pressure		Noise @10CM
	VDC	VDC	°C	RPM	Amp	Watt	CFM	m <sup>3</sup> /min	inH <sub>2</sub> O	mmH <sub>2</sub> O	dB(A)
B130100M HO4T2000	5	4~6	-20~95	8000	0.160	0.80	1.36	0.039	0.313	7.95	29.8
B130100M HO4T3000	5	4~6	-20~95	6000	0.086	0.43	0.98	0.028	0.165	4.20	22.5
B130100M HO4T60A0	5	4~6	-20~95	3500	0.032	0.16	0.53	0.015	0.046	1.06	16.1
B130101M HO4T2000	12	8~16	-20~95	8000	0.067	0.80	1.36	0.039	0.313	7.95	29.8
B130101M HO4T3000	12	8~16	-20~95	6000	0.036	0.43	0.98	0.028	0.165	4.20	22.5
B130101M HO4T60A0	12	8~16	-20~95	3500	0.013	0.16	0.53	0.015	0.046	1.06	16.1

Notes: Specifications are subject to change without notice. Please refer to the product data sheet provided by our sales.  
<https://www.i-hzlw.com>

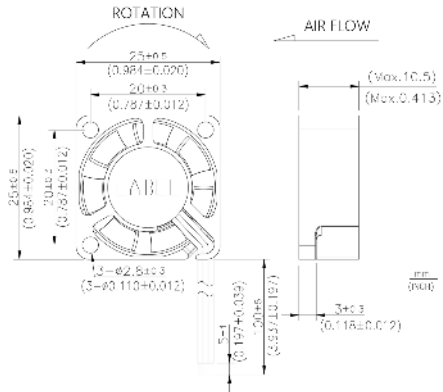


- Housing: Plastic (UL 94V-0)
- Impeller: Plastic (UL 94V-0)
- Bearing: Hydraulic bearings
- Control Options: +/-/FG/PWM
- Weight: 7.7 g

### ■ Air Flow-Static Pressure Characteristics



### ■ Dimensions drawing (mm)



Model No.	Rated Voltage	Operating Voltage Range	Operating Temp.	Speed	Input Current	Input Power	Maximum Air Flow		Maximum Air Pressure		Noise @1M
	VDC	VDC	°C	RPM	Amp	Watt	CFM	m <sup>3</sup> /min	inH <sub>2</sub> O	mmH <sub>2</sub> O	dB(A)
A125100M HO4X4000	5	3.5~6	-20~90	11000	0.111	0.55	2.93	0.08	0.24	5.99	26.5
A125100M HO4X5000	5	3.5~6	-20~90	8000	0.062	0.31	2.06	0.06	0.13	3.19	19.2
A125100M HO4X6000	5	3.5~6	-20~90	6500	0.049	0.24	1.61	0.05	0.08	2.08	16.7
A125101M HO4X4000	12	8~16	-20~90	11000	0.046	0.55	2.93	0.08	0.24	5.99	26.5
A125101M HO4X5000	12	8~16	-20~90	8000	0.026	0.31	2.06	0.06	0.13	3.19	19.2
A125101M HO4X6000	12	8~16	-20~90	6500	0.020	0.24	1.61	0.05	0.08	2.08	16.7

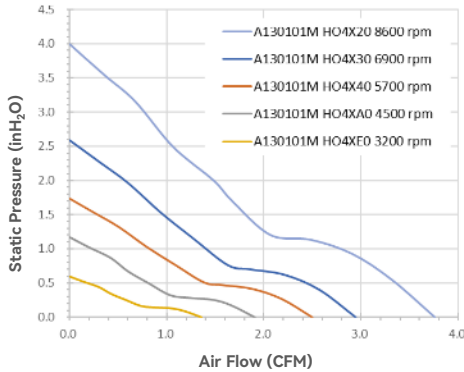
AEC-Q		Rated Voltage	Operating Voltage Range	Operating Temp.	Speed	Input Current	Input Power	Maximum Air Flow		Maximum Air Pressure		Noise @1M
Model No.		VDC	VDC	°C	RPM	Amp	Watt	CFM	m <sup>3</sup> /min	inH <sub>2</sub> O	mmH <sub>2</sub> O	dB(A)
A125100M	HO4T4000	5	3.5~6	-20~90	11000	0.111	0.55	2.93	0.08	0.24	5.99	26.5
A125100M	HO4T5000	5	3.5~6	-20~90	8000	0.062	0.31	2.06	0.06	0.13	3.19	19.2
A125100M	HO4T6000	5	3.5~6	-20~90	6500	0.049	0.24	1.61	0.05	0.08	2.08	16.7
A125101M	HO4T4000	12	8~16	-20~90	11000	0.046	0.55	2.93	0.08	0.24	5.99	26.5
A125101M	HO4T5000	12	8~16	-20~90	8000	0.026	0.31	2.06	0.06	0.13	3.19	19.2
A125101M	HO4T6000	12	8~16	-20~90	6500	0.020	0.24	1.61	0.05	0.08	2.08	16.7

Notes: Specifications are subject to change without notice. Please refer to the product data sheet provided by our sales.  
<https://www.i-hzlw.com>

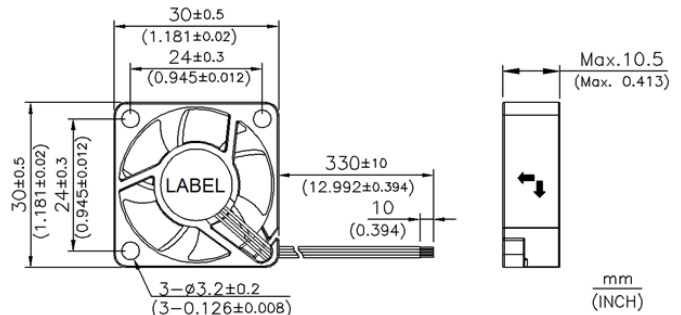


- Housing: Plastic (UL 94V-0)
- Impeller: Plastic (UL 94V-0)
- Bearing: Hydraulic bearings
- Control Options: +/-/FG/PWM
- Weight: 8 g

### ■ Air Flow-Static Pressure Characteristics



### ■ Dimensions drawing (mm)



Model No.		Rated Voltage	Operating Voltage Range	Operating Temp.	Speed	Input Current	Input Power	Maximum Air Flow		Maximum Air Pressure		Noise @50CM
		VDC	VDC	°C				CFM	m <sup>3</sup> /min	inH <sub>2</sub> O	mmH <sub>2</sub> O	
A130100M	HO4X20	5	4~6	-20~95	8600	0.120	0.60	3.76	0.11	0.16	4.00	20.0
A130100M	HO4X30	5	4~6	-20~95	6900	0.091	0.46	2.95	0.08	0.10	2.59	17.7
A130100M	HO4X40	5	4~6	-20~95	5700	0.077	0.38	2.50	0.07	0.07	1.73	15.9
A130100M	HO4XA0	5	4~6	-20~95	4500	0.065	0.32	1.91	0.05	0.05	1.17	16.3
A130100M	HO4XE0	5	4~6	-20~95	3200	0.036	0.18	1.36	0.04	0.02	0.59	10.0
A130101M	HO4X20	12	8~16	-20~95	8600	0.050	0.60	3.76	0.11	0.16	4.00	20.0
A130101M	HO4X30	12	8~16	-20~95	6900	0.038	0.46	2.95	0.08	0.10	2.59	17.7
A130101M	HO4X40	12	8~16	-20~95	5700	0.032	0.38	2.50	0.07	0.07	1.73	15.9
A130101M	HO4XA0	12	8~16	-20~95	4500	0.027	0.32	1.91	0.05	0.05	1.17	16.3
A130101M	HO4XE0	12	8~16	-20~95	3200	0.015	0.18	1.36	0.04	0.02	0.59	10.0

Notes: Specifications are subject to change without notice. Please refer to the product data sheet provided by our sales.  
<https://www.i-hzlw.com>

DC Brushless Fan

# 30X30X10 mm

High Operating Temperature 95 °C

iCar Fan Series

RoHS compliant

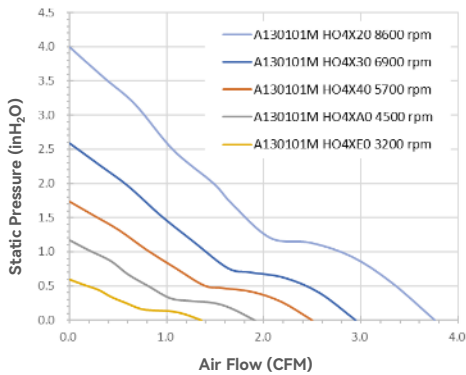
IATF 16949 Certification

AEC-Q

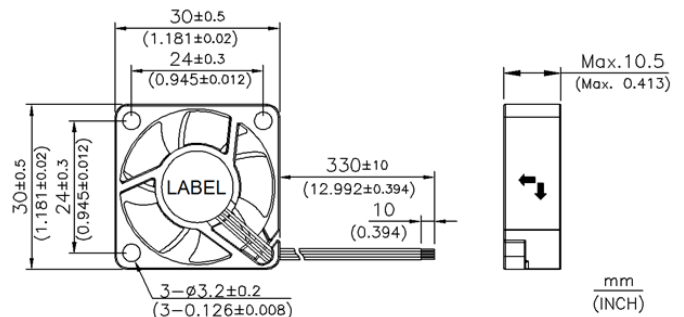


- Housing: Plastic (UL 94V-0)
- Impeller: Plastic (UL 94V-0)
- Bearing: Hydraulic bearings
- Control Options: +/-/FG/PWM
- Weight: 8 g

### ■ Air Flow-Static Pressure Characteristics



### ■ Dimensions drawing (mm)



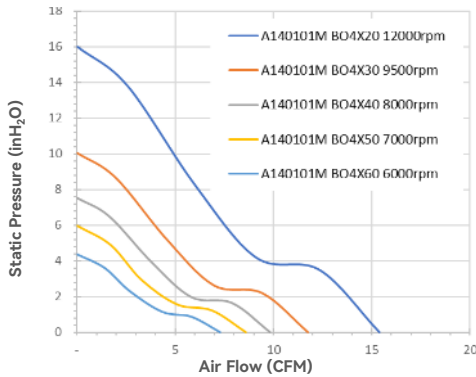
AEC-Q		Rated Voltage	Operating Voltage Range	Operating Temp.	Speed	Input Current	Input Power	Maximum Air Flow		Maximum Air Pressure		Noise @50CM
Model No.	VDC							VDC	°C	RPM	Amp	
A130100M	HO4T20	5	4~6	-20~95	8600	0.120	0.60	3.76	0.11	0.16	4.00	20.0
A130100M	HO4T30	5	4~6	-20~95	6900	0.091	0.46	2.95	0.08	0.10	2.59	17.7
A130100M	HO4T40	5	4~6	-20~95	5700	0.077	0.38	2.50	0.07	0.07	1.73	15.9
A130100M	HO4TA0	5	4~6	-20~95	4500	0.065	0.32	1.91	0.05	0.05	1.17	16.3
A130100M	HO4TE0	5	4~6	-20~95	3200	0.036	0.18	1.36	0.04	0.02	0.59	10.0
A130101M	HO4T20	12	8~16	-20~95	8600	0.050	0.60	3.76	0.11	0.16	4.00	20.0
A130101M	HO4T30	12	8~16	-20~95	6900	0.038	0.46	2.95	0.08	0.10	2.59	17.7
A130101M	HO4T40	12	8~16	-20~95	5700	0.032	0.38	2.50	0.07	0.07	1.73	15.9
A130101M	HO4TA0	12	8~16	-20~95	4500	0.027	0.32	1.91	0.05	0.05	1.17	16.3
A130101M	HO4TE0	12	8~16	-20~95	3200	0.015	0.18	1.36	0.04	0.02	0.59	10.0

Notes: Specifications are subject to change without notice. Please refer to the product data sheet provided by our sales.  
<https://www.i-hzlw.com>

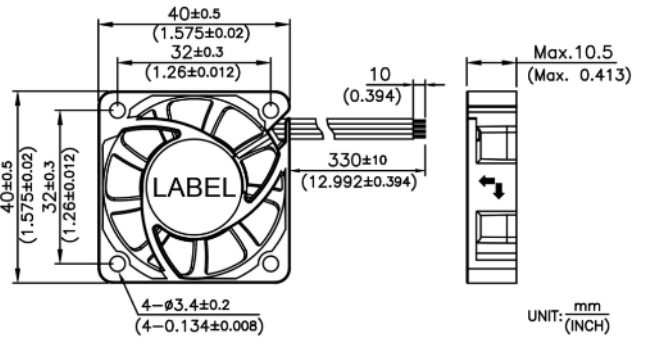


- Housing: Plastic (UL 94V-0)
- Impeller: Plastic (UL 94V-0)
- Bearing: Ball bearings
- Control Options: +/-/FG/PWM
- Weight: 16 g

### ■ Air Flow-Static Pressure Characteristics



### ■ Dimensions drawing (mm)



Model No.	Rated Voltage	Operating Voltage Range	Operating Temp.	Speed	Input Current	Input Power	Maximum Air Flow		Maximum Air Pressure		Noise @1M	
	VDC	VDC	°C	RPM	Amp	Watt	CFM	m <sup>3</sup> /min	inH <sub>2</sub> O	mmH <sub>2</sub> O	dB(A)	
A140100M	BO4X30	5	4~6	-40~95	9500	0.276	1.38	11.75	0.33	0.40	10.04	40.8
A140100M	BO4X40	5	4~6	-40~95	8000	0.204	1.02	9.84	0.28	0.30	7.54	36.4
A140100M	BO4X50	5	4~6	-40~95	7000	0.149	0.74	8.30	0.24	0.24	5.98	32.1
A140100M	BO4X60	5	4~6	-40~95	6000	0.115	0.58	7.30	0.21	0.17	4.38	28.6
A140100M	BO4Y30	5	4~6	-40~105	9500	0.276	1.38	11.75	0.33	0.40	10.04	40.8
A140100M	BO4Y40	5	4~6	-40~105	8000	0.204	1.02	9.84	0.28	0.30	7.54	36.4
A140100M	BO4Y50	5	4~6	-40~105	7000	0.149	0.74	8.30	0.24	0.24	5.98	32.1
A140100M	BO4Y60	5	4~6	-40~105	6000	0.115	0.58	7.30	0.21	0.17	4.38	28.6
A140101M	BO4X20	12	8~16	-40~95	12000	0.225	2.70	15.38	0.44	0.63	16.02	44.1
A140101M	BO4X30	12	8~16	-40~95	9500	0.115	1.38	11.75	0.33	0.40	10.04	40.8
A140101M	BO4X40	12	8~16	-40~95	8000	0.085	1.02	9.84	0.28	0.30	7.54	36.4
A140101M	BO4X50	12	8~16	-40~95	7000	0.062	0.74	8.30	0.24	0.24	5.98	32.1
A140101M	BO4X60	12	8~16	-40~95	6000	0.048	0.58	7.30	0.21	0.17	4.38	28.6
A140101M	BO4Y20	12	8~16	-40~105	12000	0.225	2.70	15.38	0.44	0.63	16.02	44.1
A140101M	BO4Y30	12	8~16	-40~105	9500	0.115	1.38	11.75	0.33	0.40	10.04	40.8
A140101M	BO4Y40	12	8~16	-40~105	8000	0.085	1.02	9.84	0.28	0.30	7.54	36.4
A140101M	BO4Y50	12	8~16	-40~105	7000	0.062	0.74	8.30	0.24	0.24	5.98	32.1
A140101M	BO4Y60	12	8~16	-40~105	6000	0.048	0.58	7.30	0.21	0.17	4.38	28.6

Notes: Specifications are subject to change without notice. Please refer to the product data sheet provided by our sales.  
<https://www.i-hzlw.com>

DC Brushless Fan

# 40X40X10 mm

High Operating Temperature 95 °C /105 °C

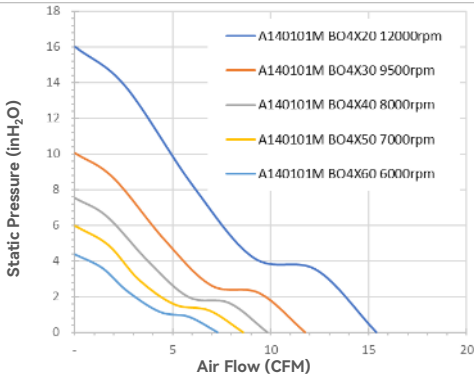
iCar Fan Series

RoHS compliant  
IATF 16949 Certification  
AEC-Q

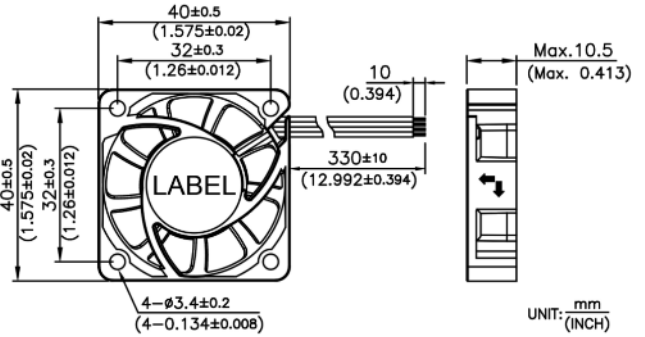


- Housing: Plastic (UL 94V-0)
- Impeller: Plastic (UL 94V-0)
- Bearing: Ball bearings
- Control Options: +/-/FG/PWM
- Weight: 16 g

### ■ Air Flow-Static Pressure Characteristics



### ■ Dimensions drawing (mm)



AEC-Q Model No.		Rated Voltage	Operating Voltage Range	Operating Temp.	Speed	Input Current	Input Power	Maximum Air Flow		Maximum Air Pressure		Noise @50CM
		VDC	VDC	°C	RPM	Amp	Watt	CFM	m <sup>3</sup> /min	inH <sub>2</sub> O	mmH <sub>2</sub> O	dB(A)
A140100M	BO4T30	5	4~6	-40~95	9500	0.276	1.38	11.75	0.33	0.40	10.04	40.8
A140100M	BO4T40	5	4~6	-40~95	8000	0.204	1.02	9.84	0.28	0.30	7.54	36.4
A140100M	BO4T50	5	4~6	-40~95	7000	0.149	0.74	8.30	0.24	0.24	5.98	32.1
A140100M	BO4T60	5	4~6	-40~95	6000	0.115	0.58	7.30	0.21	0.17	4.38	28.6
A140100M	BO4U30	5	4~6	-40~105	9500	0.276	1.38	11.75	0.33	0.40	10.04	40.8
A140100M	BO4U40	5	4~6	-40~105	8000	0.204	1.02	9.84	0.28	0.30	7.54	36.4
A140100M	BO4U50	5	4~6	-40~105	7000	0.149	0.74	8.30	0.24	0.24	5.98	32.1
A140100M	BO4U60	5	4~6	-40~105	6000	0.115	0.58	7.30	0.21	0.17	4.38	28.6
A140101M	BO4T20	12	8~16	-40~95	12000	0.225	2.70	15.38	0.44	0.63	16.02	44.1
A140101M	BO4T30	12	8~16	-40~95	9500	0.115	1.38	11.75	0.33	0.40	10.04	40.8
A140101M	BO4T40	12	8~16	-40~95	8000	0.085	1.02	9.84	0.28	0.30	7.54	36.4
A140101M	BO4T50	12	8~16	-40~95	7000	0.062	0.74	8.30	0.24	0.24	5.98	32.1
A140101M	BO4T60	12	8~16	-40~95	6000	0.048	0.58	7.30	0.21	0.17	4.38	28.6
A140101M	BO4U20	12	8~16	-40~105	12000	0.225	2.70	15.38	0.44	0.63	16.02	44.1
A140101M	BO4U30	12	8~16	-40~105	9500	0.115	1.38	11.75	0.33	0.40	10.04	40.8
A140101M	BO4U40	12	8~16	-40~105	8000	0.085	1.02	9.84	0.28	0.30	7.54	36.4
A140101M	BO4U50	12	8~16	-40~105	7000	0.062	0.74	8.30	0.24	0.24	5.98	32.1
A140101M	BO4U60	12	8~16	-40~105	6000	0.048	0.58	7.30	0.21	0.17	4.38	28.6

Notes: Specifications are subject to change without notice. Please refer to the product data sheet provided by our sales.  
<https://www.i-hzlw.com>

DC Brushless Fan

# 40X40X10 mm

High Operating Temperature 95 °C

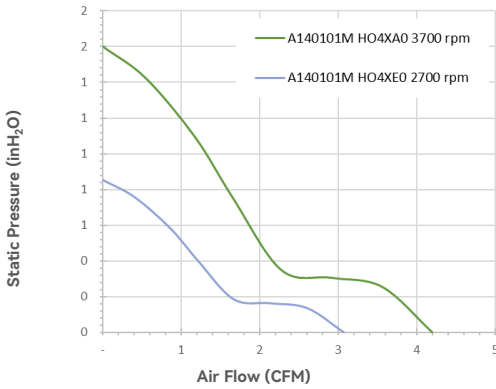
iCar Fan Series

RoHS compliant  
IATF 16949 Certification  
AEC-Q

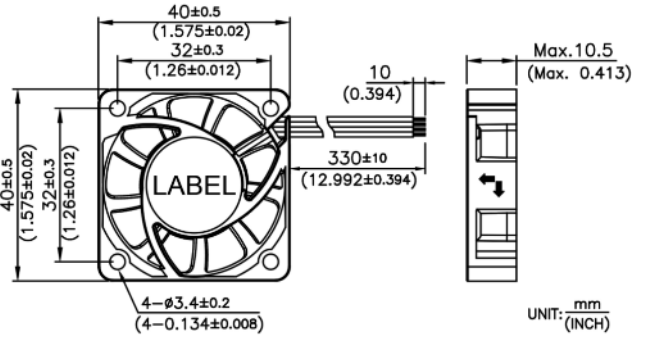


- Housing: Plastic (UL 94V-0)
- Impeller: Plastic (UL 94V-0)
- Bearing: Hydraulic bearings
- Control Options: +/-/FG/PWM
- Weight: 16 g

### ■ Air Flow-Static Pressure Characteristics



### ■ Dimensions drawing (mm)



Model No.	Rated Voltage	Operating Voltage Range	Operating Temp.	Speed	Input Current	Input Power	Maximum Air Flow		Maximum Air Pressure		Noise @50CM	
							CFM	m <sup>3</sup> /min	inH <sub>2</sub> O	mmH <sub>2</sub> O		dB(A)
A140100M	HO4XA0	5	4~6	-20~95	3700	0.048	0.24	4.20	0.12	0.06	1.60	21.4
A140100M	HO4XE0	5	4~6	-20~95	2700	0.026	0.13	3.06	0.09	0.03	0.85	16.5
A140101M	HO4XA0	12	8~16	-20~95	3700	0.020	0.24	4.20	0.12	0.06	1.60	21.4
A140101M	HO4XE0	12	8~16	-20~95	2700	0.011	0.13	3.06	0.09	0.03	0.85	16.5

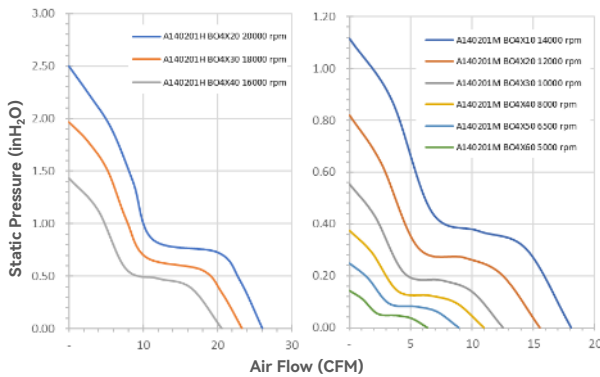
AEC-Q Model No.	Rated Voltage	Operating Voltage Range	Operating Temp.	Speed	Input Current	Input Power	Maximum Air Flow		Maximum Air Pressure		Noise @50CM	
							CFM	m <sup>3</sup> /min	inH <sub>2</sub> O	mmH <sub>2</sub> O		dB(A)
A140100M	HO4TA0	5	4~6	-20~95	3700	0.048	0.24	4.20	0.12	0.06	1.60	21.4
A140100M	HO4TE0	5	4~6	-20~95	2700	0.026	0.13	3.06	0.09	0.03	0.85	16.5
A140101M	HO4TA0	12	8~16	-20~95	3700	0.020	0.24	4.20	0.12	0.06	1.60	21.4
A140101M	HO4TE0	12	8~16	-20~95	2700	0.011	0.13	3.06	0.09	0.03	0.85	16.5

Notes: Specifications are subject to change without notice. Please refer to the product data sheet provided by our sales.  
<https://www.i-hzlw.com>

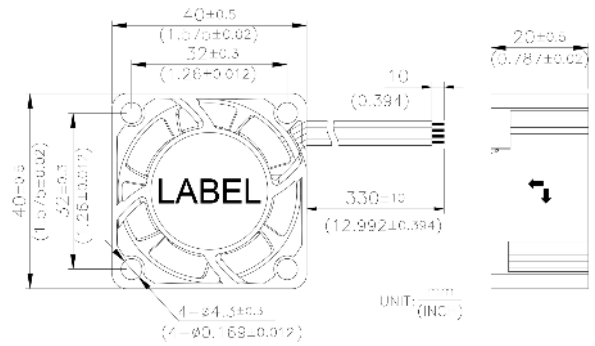


- Housing: Plastic (UL 94V-0)
- Impeller: Plastic (UL 94V-0)
- Bearing: Ball bearings
- Control Options: +/-/FG/PWM
- Weight: 38.1 g

### ■ Air Flow-Static Pressure Characteristics



### ■ Dimensions drawing (mm)



Model No.	Rated Voltage	Operating Voltage Range	Operating Temp.	Speed	Input Current	Input Power	Maximum Air Flow		Maximum Air Pressure		Noise @1M	
	VDC	VDC	°C	RPM	Amp	Watt	CFM	m <sup>3</sup> /min	inH <sub>2</sub> O	mmH <sub>2</sub> O		
A140201H	BO4X20	12	8~16	-40~95	20000	0.810	9.72	26.03	0.74	2.50	63.52	56.4
A140201H	BO4X30	12	8~16	-40~95	18000	0.620	7.44	23.32	0.66	1.97	49.99	54.2
A140201H	BO4X40	12	8~16	-40~95	16000	0.460	5.52	20.59	0.58	1.43	36.42	52.4
A140201M	BO4X10	12	8~16	-40~95	14000	0.280	3.36	18.07	0.51	1.11	28.30	49.0
A140201M	BO4X20	12	8~16	-40~95	12000	0.195	2.34	15.49	0.44	0.82	20.79	45.7
A140201M	BO4X30	12	8~16	-40~95	10000	0.140	1.68	12.49	0.35	0.55	14.04	39.7
A140201M	BO4X40	12	8~16	-40~95	8000	0.075	0.90	10.93	0.31	0.38	9.53	33.4
A140201M	BO4X50	12	8~16	-40~95	6500	0.052	0.62	8.88	0.25	0.25	6.29	27.8
A140201M	BO4X60	12	8~16	-40~95	5000	0.030	0.36	6.83	0.19	0.15	3.72	23.7
A140201H	BO4Y20	12	8~16	-40~105	20000	0.810	9.72	26.03	0.74	2.50	63.52	56.4
A140201H	BO4Y30	12	8~16	-40~105	18000	0.620	7.44	23.32	0.66	1.97	49.99	54.2
A140201H	BO4Y40	12	8~16	-40~105	16000	0.460	5.52	20.59	0.58	1.43	36.42	52.4
A140201M	BO4Y10	12	8~16	-40~105	14000	0.280	3.36	18.07	0.51	1.11	28.30	49.0
A140201M	BO4Y20	12	8~16	-40~105	12000	0.195	2.34	15.49	0.44	0.82	20.79	45.7
A140201M	BO4Y30	12	8~16	-40~105	10000	0.140	1.68	12.49	0.35	0.55	14.04	39.7
A140201M	BO4Y40	12	8~16	-40~105	8000	0.075	0.90	10.93	0.31	0.38	9.53	33.4
A140201M	BO4Y50	12	8~16	-40~105	6500	0.052	0.62	8.88	0.25	0.25	6.29	27.8
A140201M	BO4Y60	12	8~16	-40~105	5000	0.030	0.36	6.83	0.19	0.15	3.72	23.7

Notes: Specifications are subject to change without notice. Please refer to the product data sheet provided by our sales.  
<https://www.i-hzlw.com>

DC Brushless Fan

# 40X40X20 mm

High Speed, High Operating Temperature 95 °C /105 °C

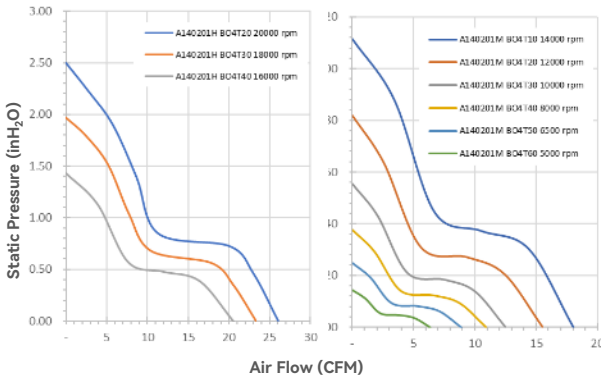
iCar Fan Series

RoHS compliant  
IATF 16949 Certification  
AEC-Q

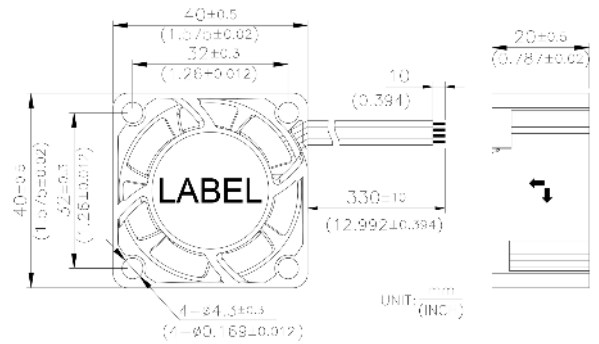


- Housing: Plastic (UL 94V-0)
- Impeller: Plastic (UL 94V-0)
- Bearing: Ball bearings
- Control Options: +/-/FG/PWM
- Weight: 38.1 g

## ■ Air Flow-Static Pressure Characteristics



## ■ Dimensions drawing (mm)



AEC-Q		Rated Voltage	Operating Voltage Range	Operating Temp.	Speed	Input Current	Input Power	Maximum Air Flow		Maximum Air Pressure		Noise @1M
Model No.								VDC	VDC	°C	RPM	
A140201H	BO4T20	12	8~16	-40~95	20000	0.810	9.72	26.03	0.74	2.50	63.52	56.4
A140201H	BO4T30	12	8~16	-40~95	18000	0.620	7.44	23.32	0.66	1.97	49.99	54.2
A140201H	BO4T40	12	8~16	-40~95	16000	0.460	5.52	20.59	0.58	1.43	36.42	52.4
A140201M	BO4T10	12	8~16	-40~95	14000	0.280	3.36	18.07	0.51	1.11	28.30	49.0
A140201M	BO4T20	12	8~16	-40~95	12000	0.195	2.34	15.49	0.44	0.82	20.79	45.7
A140201M	BO4T30	12	8~16	-40~95	10000	0.140	1.68	12.49	0.35	0.55	14.04	39.7
A140201M	BO4T40	12	8~16	-40~95	8000	0.075	0.90	10.93	0.31	0.38	9.53	33.4
A140201M	BO4T50	12	8~16	-40~95	6500	0.052	0.62	8.88	0.25	0.25	6.29	27.8
A140201M	BO4T60	12	8~16	-40~95	5000	0.030	0.36	6.83	0.19	0.15	3.72	23.7
A140201H	BO4U20	12	8~16	-40~105	20000	0.810	9.72	26.03	0.74	2.50	63.52	56.4
A140201H	BO4U30	12	8~16	-40~105	18000	0.620	7.44	23.32	0.66	1.97	49.99	54.2
A140201H	BO4U40	12	8~16	-40~105	16000	0.460	5.52	20.59	0.58	1.43	36.42	52.4
A140201M	BO4U10	12	8~16	-40~105	14000	0.280	3.36	18.07	0.51	1.11	28.30	49.0
A140201M	BO4U20	12	8~16	-40~105	12000	0.195	2.34	15.49	0.44	0.82	20.79	45.7
A140201M	BO4U30	12	8~16	-40~105	10000	0.140	1.68	12.49	0.35	0.55	14.04	39.7
A140201M	BO4U40	12	8~16	-40~105	8000	0.075	0.90	10.93	0.31	0.38	9.53	33.4
A140201M	BO4U50	12	8~16	-40~105	6500	0.052	0.62	8.88	0.25	0.25	6.29	27.8
A140201M	BO4U60	12	8~16	-40~105	5000	0.030	0.36	6.83	0.19	0.15	3.72	23.7

Notes: Specifications are subject to change without notice. Please refer to the product data sheet provided by our sales.  
<https://www.i-hzlw.com>

DC Brushless Fan

# 40X40X20 mm

High Operating Temperature 95 °C /105 °C

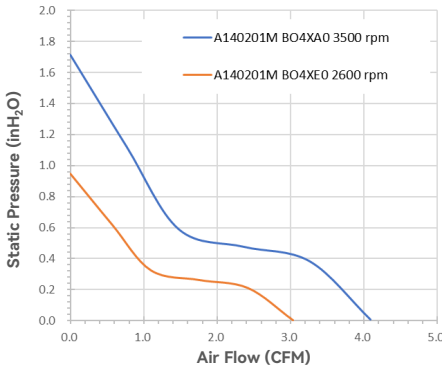
iCar Fan Series

RoHS compliant  
IATF 16949 Certification  
AEC-Q

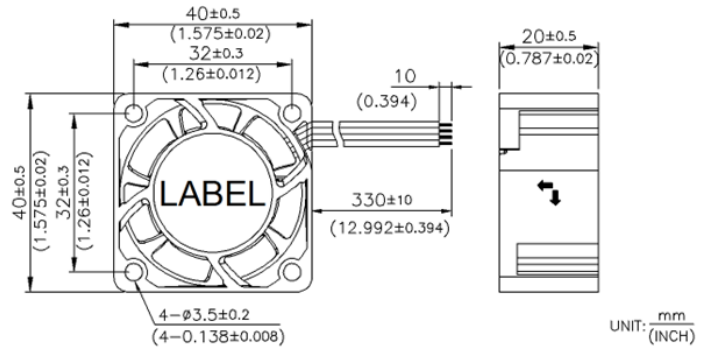


- Housing: Plastic (UL 94V-0)
- Impeller: Plastic (UL 94V-0)
- Bearing: Ball bearings
- Control Options: +/-/FG/PWM
- Weight: 38.1 g

### ■ Air Flow-Static Pressure Characteristics



### ■ Dimensions drawing (mm)



Model No.	Rated Voltage	Operating Voltage Range	Operating Temp.	Speed	Input Current	Input Power	Maximum Air Flow		Maximum Air Pressure		Noise @1M
	VDC	VDC	°C	RPM	Amp	Watt	CFM	m <sup>3</sup> /min	inH <sub>2</sub> O	mmH <sub>2</sub> O	dB(A)
A140201M BO4XA0	12	8~16	-40~95	3500	0.018	0.22	4.09	0.12	0.07	1.71	21.5
A140201M BO4XE0	12	8~16	-40~95	2600	0.010	0.12	3.04	0.09	0.04	0.95	19.2
A140201M BO4YA0	12	8~16	-40~105	3500	0.018	0.22	4.09	0.12	0.07	1.71	21.5
A140201M BO4YE0	12	8~16	-40~105	2600	0.010	0.12	3.04	0.09	0.04	0.95	19.2

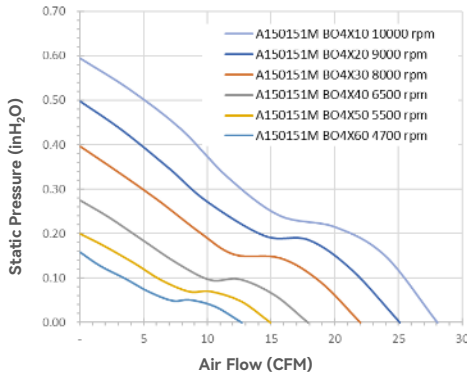
AEC-Q		Rated Voltage	Operating Voltage Range	Operating Temp.	Speed	Input Current	Input Power	Maximum Air Flow		Maximum Air Pressure		Noise @1M
Model No.		VDC	VDC	°C	RPM	Amp	Watt	CFM	m <sup>3</sup> /min	inH <sub>2</sub> O	mmH <sub>2</sub> O	dB(A)
A140201M	BO4TA0	12	8~16	-40~95	3500	0.018	0.22	4.09	0.12	0.07	1.71	21.5
A140201M	BO4TE0	12	8~16	-40~95	2600	0.010	0.12	3.04	0.09	0.04	0.95	19.2
A140201M	BO4UA0	12	8~16	-40~105	3500	0.018	0.22	4.09	0.12	0.07	1.71	21.5
A140201M	BO4UE0	12	8~16	-40~105	2600	0.010	0.12	3.04	0.09	0.04	0.95	19.2

Notes: Specifications are subject to change without notice. Please refer to the product data sheet provided by our sales.  
<https://www.i-hzlw.com>

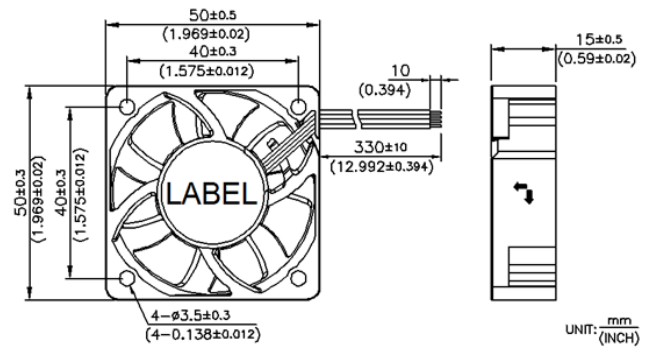


- Housing: Plastic (UL 94V-0)
- Impeller: Plastic (UL 94V-0)
- Bearing: Ball bearings
- Control Options: +/-/FG/PWM
- Weight: 34.1 g

### ■ Air Flow-Static Pressure Characteristics



### ■ Dimensions drawing (mm)



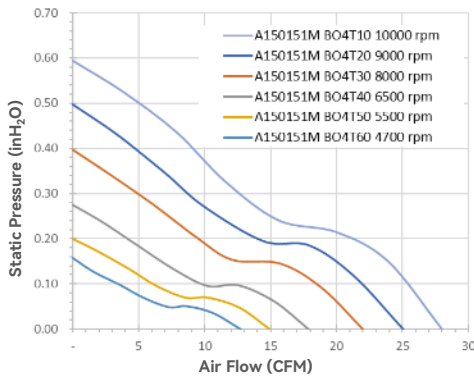
Model No.		Rated Voltage	Operating Voltage Range	Operating Temp.	Speed	Input Current	Input Power	Maximum Air Flow		Maximum Air Pressure		Noise @1M
		VDC	VDC	°C	RPM	Amp	Watt	CFM	m <sup>3</sup> /min	inH <sub>2</sub> O	mmH <sub>2</sub> O	dB(A)
A150151M	BO4X10	12	6~13.8	-40~95	10000	0.285	3.43	28.0	0.79	0.59	15.1	47.5
A150151M	BO4X20	12	6~13.8	-40~95	9000	0.208	2.50	25.1	0.71	0.50	12.6	45.2
A150151M	BO4X30	12	6~13.8	-40~95	8000	0.146	1.75	22.0	0.62	0.40	10.1	40.6
A150151M	BO4X40	12	6~13.8	-40~95	6500	0.101	1.21	18.2	0.52	0.27	7.0	34.7
A150151M	BO4X50	12	6~13.8	-40~95	5500	0.067	0.81	15.0	0.42	0.20	5.1	30.3
A150151M	BO4X60	12	6~13.8	-40~95	4700	0.048	0.58	12.7	0.36	0.16	4.0	26.9
A150151M	BO4Y10	12	6~13.8	-40~105	10000	0.285	3.43	28.0	0.79	0.59	15.1	47.5
A150151M	BO4Y20	12	6~13.8	-40~105	9000	0.208	2.50	25.1	0.71	0.50	12.6	45.2
A150151M	BO4Y30	12	6~13.8	-40~105	8000	0.146	1.75	22.0	0.62	0.40	10.1	40.6
A150151M	BO4Y40	12	6~13.8	-40~105	6500	0.101	1.21	18.2	0.52	0.27	7.0	34.7
A150151M	BO4Y50	12	6~13.8	-40~105	5500	0.067	0.81	15.0	0.42	0.20	5.1	30.3
A150151M	BO4Y60	12	6~13.8	-40~105	4700	0.048	0.58	12.7	0.36	0.16	4.0	26.9

Notes: Specifications are subject to change without notice. Please refer to the product data sheet provided by our sales.  
<https://www.i-hzlw.com>

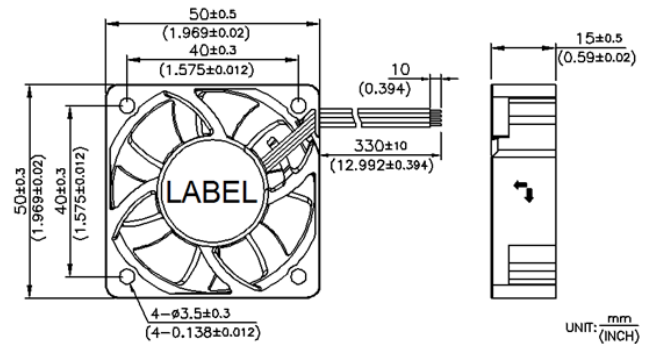


- Housing: Plastic (UL 94V-0)
- Impeller: Plastic (UL 94V-0)
- Bearing: Ball bearings
- Control Options: +/-/FG/PWM
- Weight: 34.1 g

### ■ Air Flow-Static Pressure Characteristics



### ■ Dimensions drawing (mm)



AEC-Q Model No.		Rated Voltage	Operating Voltage Range	Operating Temp.	Speed	Input Current	Input Power	Maximum Air Flow		Maximum Air Pressure		Noise @1M
		VDC	VDC	°C	RPM	Amp	Watt	CFM	m <sup>3</sup> /min	inH <sub>2</sub> O	mmH <sub>2</sub> O	dB(A)
A150151M	BO4T10	12	8~16	-40~95	10000	0.285	3.43	28.0	0.79	0.59	15.1	47.5
A150151M	BO4T20	12	8~16	-40~95	9000	0.208	2.50	25.1	0.71	0.50	12.6	45.2
A150151M	BO4T30	12	8~16	-40~95	8000	0.146	1.75	22.0	0.62	0.40	10.1	40.6
A150151M	BO4T40	12	8~16	-40~95	6500	0.10	1.21	18.2	0.52	0.27	7.0	34.7
A150151M	BO4T50	12	8~16	-40~95	5500	0.067	0.81	15.0	0.42	0.20	5.1	30.3
A150151M	BO4T60	12	8~16	-40~95	4700	0.048	0.58	12.7	0.36	0.16	4.0	26.9
A150151M	BO4U10	12	8~16	-40~105	10000	0.285	3.43	28.0	0.79	0.59	15.1	47.5
A150151M	BO4U20	12	8~16	-40~105	9000	0.208	2.50	25.1	0.71	0.50	12.6	45.2
A150151M	BO4U30	12	8~16	-40~105	8000	0.146	1.75	22.0	0.62	0.40	10.1	40.6
A150151M	BO4U40	12	8~16	-40~105	6500	0.101	1.21	18.2	0.52	0.27	7.0	34.7
A150151M	BO4U50	12	8~16	-40~105	5500	0.067	0.81	15.0	0.42	0.20	5.1	30.3
A150151M	BO4U60	12	8~16	-40~105	4700	0.048	0.58	12.7	0.36	0.16	4.0	26.9

Notes: Specifications are subject to change without notice. Please refer to the product data sheet provided by our sales.  
<https://www.i-hzlw.com>

DC Brushless Fan

# 50X50X15 mm

High Operating Temperature 95 °C /105 °C

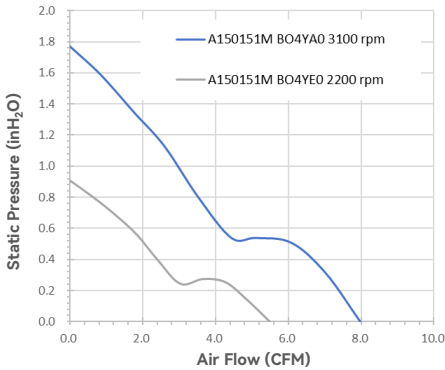
iCar Fan Series

RoHS compliant  
IATF 16949 Certification  
AEC-Q

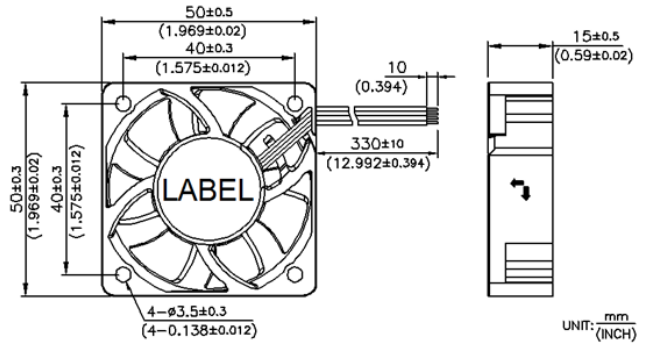


- Housing: Plastic (UL 94V-0)
- Impeller: Plastic (UL 94V-0)
- Bearing: Ball bearings
- Control Options: +/-/FG/PWM
- Weight: 34.1 g

■ Air Flow-Static Pressure Characteristics



■ Dimensions drawing (mm)



Model No.	Rated Voltage	Operating Voltage Range	Operating Temp.	Speed	Input Current	Input Power	Maximum Air Flow		Maximum Air Pressure		Noise @1M
	VDC	VDC	°C	RPM	Amp	Watt	CFM	m <sup>3</sup> /min	inH <sub>2</sub> O	mmH <sub>2</sub> O	dB(A)
A150151M BO4XA0	12	8~16	-40~95	3100	0.031	0.37	7.99	0.23	0.07	1.77	20.7
A150151M BO4XE0	12	8~16	-40~95	2200	0.016	0.19	5.50	0.16	0.04	0.91	17.2
A150151M BO4YA0	12	8~16	-40~105	3000	0.031	0.37	7.99	0.23	0.07	1.77	20.7
A150151M BO4YE0	12	8~16	-40~105	2200	0.016	0.19	5.50	0.16	0.04	0.91	17.2

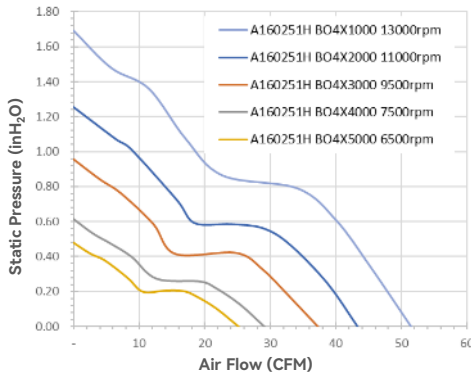
AEC-Q		Rated Voltage	Operating Voltage Range	Operating Temp.	Speed	Input Current	Input Power	Maximum Air Flow		Maximum Air Pressure		Noise @1M
Model No.		VDC	VDC	°C	RPM	Amp	Watt	CFM	m <sup>3</sup> /min	inH <sub>2</sub> O	mmH <sub>2</sub> O	dB(A)
A150151M	BO4TA0	12	8~16	-40~95	3100	0.031	0.37	7.99	0.23	0.07	1.77	20.7
A150151M	BO4TE0	12	8~16	-40~95	2200	0.016	0.19	5.50	0.16	0.04	0.91	17.2
A150151M	BO4UA0	12	8~16	-40~105	3000	0.031	0.37	7.99	0.23	0.07	1.77	20.7
A150151M	BO4UE0	12	8~16	-40~105	2200	0.016	0.19	5.50	0.16	0.04	0.91	17.2

Notes: Specifications are subject to change without notice. Please refer to the product data sheet provided by our sales.  
<https://www.i-hzlw.com>

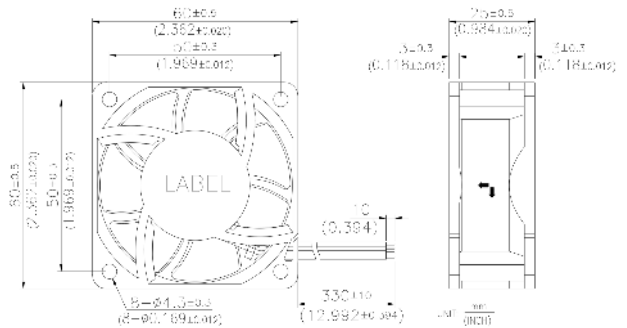


- Housing: Plastic (UL 94V-0)
- Impeller: Plastic (UL 94V-0)
- Bearing: Ball bearings
- Control Options: +/-/FG/PWM
- Weight: 70.5 g

### ■ Air Flow-Static Pressure Characteristics



### ■ Dimensions drawing (mm)



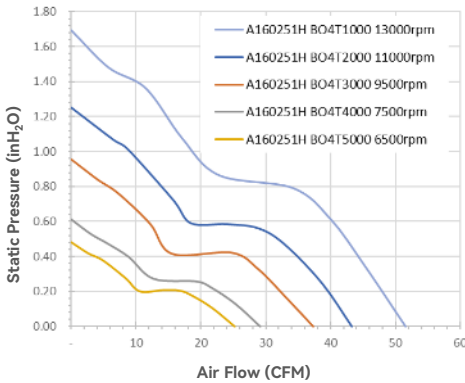
Model No.		Rated Voltage	Operating Voltage Range	Operating Temp.	Speed	Input Current	Input Power	Maximum Air Flow		Maximum Air Pressure		Noise @1M
		VDC	VDC	°C				CFM	m <sup>3</sup> /min	inH <sub>2</sub> O	mmH <sub>2</sub> O	
A160251H	BO4X1000	12	8~16	-40~95	13000	0.99	11.8	53.1	1.5	1.7	43.2	55.8
A160251H	BO4X2000	12	8~16	-40~95	11000	0.57	6.8	43.2	1.2	1.22	30.9	52.7
A160251H	BO4X3000	12	8~16	-40~95	9500	0.46	5.5	37.7	1.1	0.98	24.9	48.6
A160251H	BO4X4000	12	8~16	-40~95	7500	0.23	2.7	29.1	0.8	0.61	15.6	43.6
A160251H	BO4X5000	12	8~16	-40~95	6500	0.15	1.8	25.9	0.7	0.46	11.7	38.9
A160251H	BO4Y1000	12	8~16	-40~105	13000	0.99	11.8	53.1	1.5	1.7	43.2	55.8
A160251H	BO4Y2000	12	8~16	-40~105	11000	0.57	6.8	43.2	1.2	1.22	30.9	52.7
A160251H	BO4Y3000	12	8~16	-40~105	9500	0.46	5.5	37.7	1.1	0.98	24.9	48.6
A160251H	BO4Y4000	12	8~16	-40~105	7500	0.23	2.7	29.1	0.8	0.61	15.6	43.6
A160251H	BO4Y5000	12	8~16	-40~105	6500	0.15	1.8	25.9	0.7	0.46	11.7	38.9

Notes: Specifications are subject to change without notice. Please refer to the product data sheet provided by our sales.  
<https://www.i-hzlw.com>

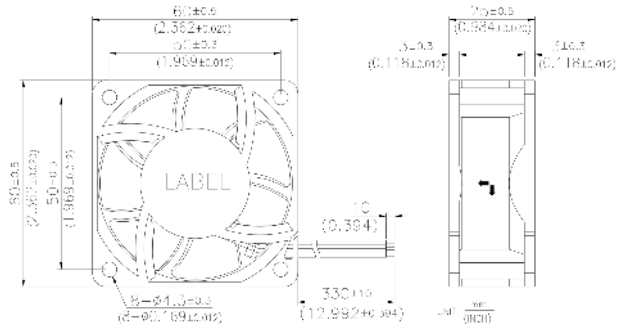


- Housing: Plastic (UL 94V-0)
- Impeller: Plastic (UL 94V-0)
- Bearing: Ball bearings
- Control Options: +/-/FG/PWM
- Weight: 70.5 g

### ■ Air Flow-Static Pressure Characteristics



### ■ Dimensions drawing (mm)



AEC-Q Model No.		Rated Voltage	Operating Voltage Range	Operating Temp.	Speed	Input Current	Input Power	Maximum Air Flow		Maximum Air Pressure		Noise @1M
		VDC	VDC	°C	RPM	Amp	Watt	CFM	m <sup>3</sup> /min	inH <sub>2</sub> O	mmH <sub>2</sub> O	dB(A)
A160251H	BO4T1000	12	8~16	-40~95	13000	0.99	11.8	53.1	1.5	1.7	43.2	55.8
A160251H	BO4T2000	12	8~16	-40~95	11000	0.57	6.8	43.2	1.2	1.22	30.9	52.7
A160251H	BO4T3000	12	8~16	-40~95	9500	0.46	5.5	37.7	1.1	0.98	24.9	48.6
A160251H	BO4T4000	12	8~16	-40~95	7500	0.23	2.7	29.1	0.8	0.61	15.6	43.6
A160251H	BO4T5000	12	8~16	-40~95	6500	0.15	1.8	25.9	0.7	0.46	11.7	38.9
A160251H	BO4U1000	12	8~16	-40~105	13000	0.99	11.8	53.1	1.5	1.7	43.2	55.8
A160251H	BO4U2000	12	8~16	-40~105	11000	0.57	6.8	43.2	1.2	1.22	30.9	52.7
A160251H	BO4U3000	12	8~16	-40~105	9500	0.46	5.5	37.7	1.1	0.98	24.9	48.6
A160251H	BO4U4000	12	8~16	-40~105	7500	0.23	2.7	29.1	0.8	0.61	15.6	43.6
A160251H	BO4U5000	12	8~16	-40~105	6500	0.15	1.8	25.9	0.73	0.46	11.7	38.9

Notes: Specifications are subject to change without notice. Please refer to the product data sheet provided by our sales.  
<https://www.i-hzlw.com>

# DC Brushless Fan

# 60X60X25 mm

High Operating Temperature 95 °C /105 °C

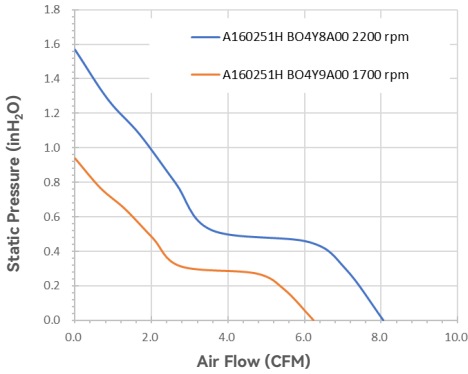
## iCar Fan Series

RoHS compliant  
IATF 16949 Certification  
AEC-Q

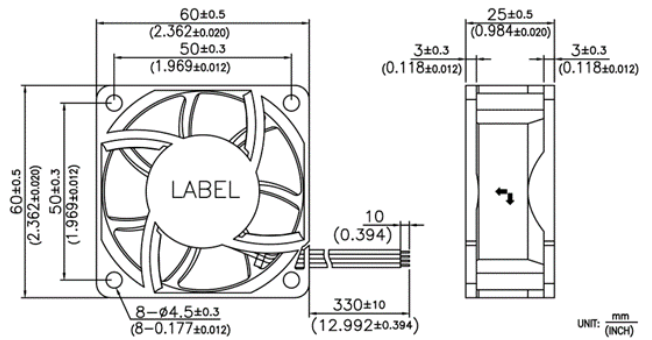


- Housing: Plastic (UL 94V-0)
- Impeller: Plastic (UL 94V-0)
- Bearing: Ball bearings
- Control Options: +/-/FG/PWM
- Weight: 70.5 g

### ■ Air Flow-Static Pressure Characteristics



### ■ Dimensions drawing (mm)



Model No.	Rated Voltage	Operating Voltage Range	Operating Temp.	Speed	Input Current	Input Power	Maximum Air Flow		Maximum Air Pressure		Noise @1M
	VDC	VDC	°C	RPM	Amp	Watt	CFM	m <sup>3</sup> /min	inH <sub>2</sub> O	mmH <sub>2</sub> O	dB(A)
A160251H BO4X8A00	12	8~16	-40~95	2200	0.022	0.27	8.06	0.23	0.06	1.57	18.9
A160251H BO4X9A00	12	8~16	-40~95	1700	0.013	0.16	6.23	0.18	0.04	0.94	16.8
A160251H BO4Y8A00	12	8~16	-40~105	2200	0.022	0.27	8.06	0.23	0.06	1.57	18.9
A160251H BO4Y9A00	12	8~16	-40~105	1700	0.013	0.16	6.23	0.18	0.04	0.94	16.8

AEC-Q		Rated Voltage	Operating Voltage Range	Operating Temp.	Speed	Input Current	Input Power	Maximum Air Flow		Maximum Air Pressure		Noise @1M
Model No.		VDC	VDC	°C	RPM	Amp	Watt	CFM	m <sup>3</sup> /min	inH <sub>2</sub> O	mmH <sub>2</sub> O	dB(A)
A160251H BO4T8A00		12	8~16	-40~95	2200	0.022	0.27	8.06	0.23	0.06	1.57	18.9
A160251H BO4T9A00		12	8~16	-40~95	1700	0.013	0.16	6.23	0.18	0.04	0.94	16.8
A160251H BO4U8A00		12	8~16	-40~105	2200	0.022	0.27	8.06	0.23	0.06	1.57	18.9
A160251H BO4U9A00		12	8~16	-40~105	1700	0.013	0.16	6.23	0.18	0.04	0.94	16.8

Notes: Specifications are subject to change without notice. Please refer to the product data sheet provided by our sales.  
<https://www.i-hzlw.com>

DC Brushless Fan

# 80X80X25 mm

High Speed, High Operating Temperature 95 °C /105 °C

iCar Fan Series

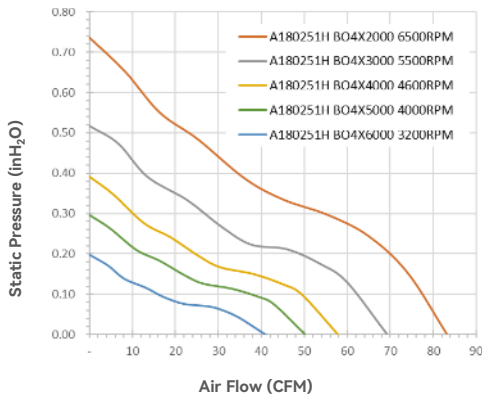
RoHS compliant

IATF 16949 Certification

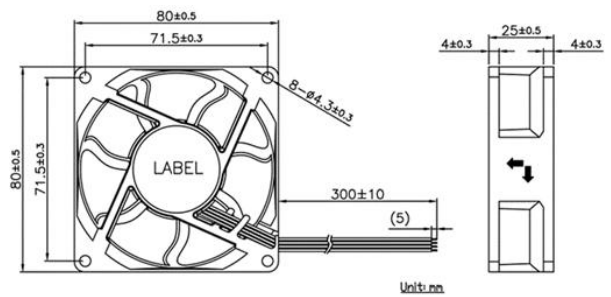


- Housing: Plastic (UL 94V-0)
- Impeller: Plastic (UL 94V-0)
- Bearing: Ball bearings
- Control Options: +/-/FG/PWM
- Weight: 82.5g

## ■ Air Flow-Static Pressure Characteristics



## ■ Dimensions drawing (mm)



Model No.		Rated Voltage	Operating Voltage Range	Operating Temp.	Speed	Input Current	Input Power	Maximum Air Flow		Maximum Air Pressure		Noise @50CM
		VDC	VDC	°C				CFM	m <sup>3</sup> /min	inH <sub>2</sub> O	mmH <sub>2</sub> O	
A180251H	BO4X2000	12	8~16	-40~95	6500	0.93	11.11	83.1	2.35	0.74	18.7	53.1
A180251H	BO4X3000	12	8~16	-40~95	5500	0.56	6.73	69.3	1.96	0.52	13.1	51.5
A180251H	BO4X4000	12	8~16	-40~95	4600	0.33	3.94	57.7	1.63	0.39	10.0	43.3
A180251H	BO4X5000	12	8~16	-40~95	4000	0.22	2.65	50.2	1.42	0.30	7.5	39.5
A180251H	BO4X6000	12	8~16	-40~95	3200	0.11	1.33	41.0	1.16	0.20	5.0	33.0
A180251H	BO4Y2000	12	8~16	-40~105	6500	0.93	11.11	83.1	2.35	0.74	18.7	53.1
A180251H	BO4Y3000	12	8~16	-40~105	5500	0.56	6.73	69.3	1.96	0.52	13.1	51.5
A180251H	BO4Y4000	12	8~16	-40~105	4600	0.33	3.94	57.7	1.63	0.39	10.0	43.3
A180251H	BO4Y5000	12	8~16	-40~105	4000	0.22	2.65	50.2	1.42	0.30	7.5	39.5
A180251H	BO4Y6000	12	8~16	-40~105	3200	0.11	1.33	41.0	1.16	0.20	5.0	33.0

Notes: Specifications are subject to change without notice. Please refer to the product data sheet provided by our sales.  
<https://www.i-hzlw.com>

DC Brushless Fan

# 80X80X25 mm

High Speed, High Operating Temperature 95 °C /105 °C

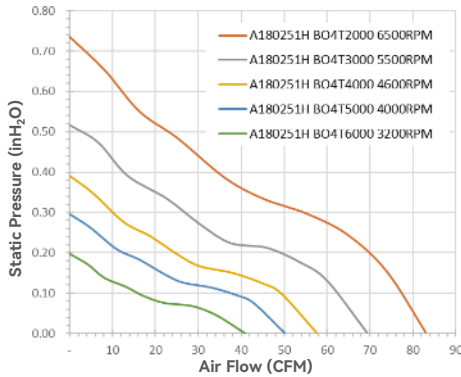
iCar Fan Series

RoHS compliant  
IATF 16949 Certification  
AEC-Q

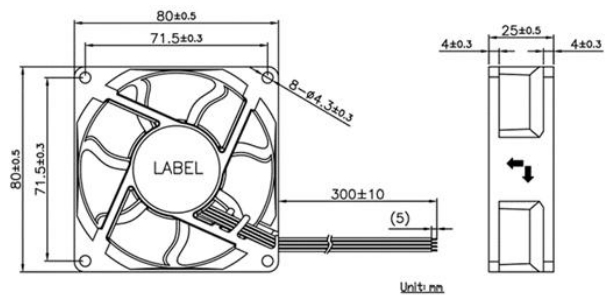


- Housing: Plastic (UL 94V-0)
- Impeller: Plastic (UL 94V-0)
- Bearing: Ball bearings
- Control Options: +/-/FG/PWM
- Weight: 82.5g

### ■ Air Flow-Static Pressure Characteristics



### ■ Dimensions drawing (mm)



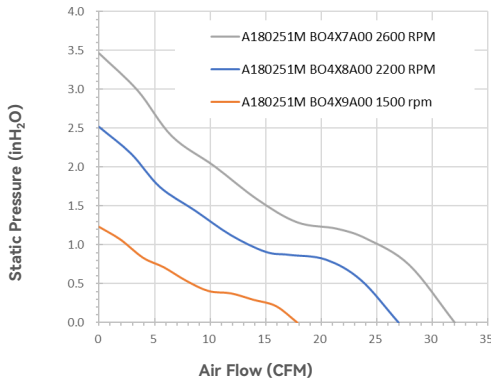
AEC-Q Model No.		Rated Voltage	Operating Voltage Range	Operating Temp.	Speed	Input Current	Input Power	Maximum Air Flow		Maximum Air Pressure		Noise @50CM
		VDC	VDC	°C	RPM	Amp	Watt	CFM	m <sup>3</sup> /min	inH <sub>2</sub> O	mmH <sub>2</sub> O	dB(A)
A180251H	BO4T2000	12	8~16	-40~95	6500	0.93	11.11	83.1	2.35	0.74	18.7	53.1
A180251H	BO4T3000	12	8~16	-40~95	5500	0.93	6.73	69.3	1.96	0.52	13.1	51.5
A180251H	BO4T4000	12	8~16	-40~95	4600	0.93	3.94	57.7	1.63	0.39	10.0	43.3
A180251H	BO4T5000	12	8~16	-40~95	4000	0.93	2.65	50.2	1.42	0.30	7.5	39.5
A180251H	BO4T6000	12	8~16	-40~95	3200	0.93	1.33	41.0	1.16	0.20	5.0	33.0
A180251H	BO4U2000	12	8~16	-40~105	6500	0.93	11.11	83.1	2.35	0.74	18.7	53.1
A180251H	BO4U3000	12	8~16	-40~105	5500	0.93	6.73	69.3	1.96	0.52	13.1	51.5
A180251H	BO4U4000	12	8~16	-40~105	4600	0.93	3.94	57.7	1.63	0.39	10.0	43.3
A180251H	BO4U5000	12	8~16	-40~105	4000	0.93	2.65	50.2	1.42	0.30	7.5	39.5
A180251H	BO4U6000	12	8~16	-40~105	3200	0.93	1.33	41.0	1.16	0.20	5.0	33.0

Notes: Specifications are subject to change without notice. Please refer to the product data sheet provided by our sales.  
<https://www.i-hzlw.com>

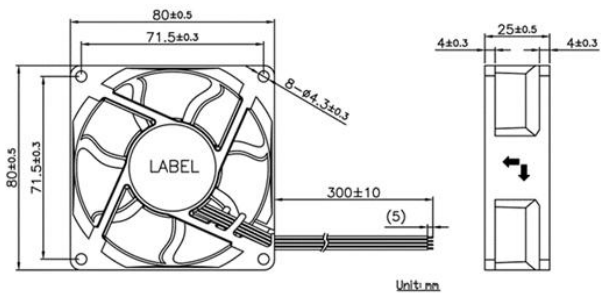


- Housing: Plastic (UL 94V-0)
- Impeller: Plastic (UL 94V-0)
- Bearing: Ball bearings
- Control Options: +/-/FG/PWM
- Weight: 82.5g

### ■ Air Flow-Static Pressure Characteristics



### ■ Dimensions drawing (mm)



Model No.	Rated Voltage	Operating Voltage Range	Operating Temp.	Speed	Input Current	Input Power	Maximum Air Flow		Maximum Air Pressure		Noise @50CM
	VDC	VDC	°C	RPM	Amp	Watt	CFM	m <sup>3</sup> /min	inH <sub>2</sub> O	mmH <sub>2</sub> O	dB(A)
A180251M BO4X7A00	12	8~16	-40~95	2600	0.060	0.72	32.04	0.91	0.136	3.46	34.3
A180251M BO4X8A00	12	8~16	-40~95	2200	0.044	0.52	27.00	0.76	0.099	2.51	30.0
A180251M BO4X9A00	12	8~16	-40~95	1500	0.016	0.19	17.87	0.51	0.048	1.23	20.0
A180251M BO4Y7A00	12	8~16	-40~105	2600	0.060	0.72	32.04	0.91	0.136	3.46	34.3
A180251M BO4Y8A00	12	8~16	-40~105	2200	0.044	0.52	27.00	0.76	0.099	2.51	30.0
A180251M BO4Y9A00	12	8~16	-40~105	1500	0.016	0.19	17.87	0.51	0.048	1.23	20.0

AEC-Q Model No.	Rated Voltage	Operating Voltage Range	Operating Temp.	Speed	Input Current	Input Power	Maximum Air Flow		Maximum Air Pressure		Noise @50CM
	VDC	VDC	°C	RPM	Amp	Watt	CFM	m <sup>3</sup> /min	inH <sub>2</sub> O	mmH <sub>2</sub> O	dB(A)
A180251M BO4T7A00	12	8~16	-40~95	2600	0.060	0.72	32.04	0.91	0.136	3.46	34.3
A180251M BO4T8A00	12	8~16	-40~95	2200	0.044	0.52	27.00	0.76	0.099	2.51	30.0
A180251M BO4TE000	12	8~16	-40~95	1600	0.016	0.19	19.64	0.56	0.052	1.33	22.6
A180251M BO4T9A00	12	8~16	-40~95	1500	0.016	0.19	17.87	0.51	0.048	1.23	20.0
A180251M BO4U7A00	12	8~16	-40~105	2600	0.060	0.72	32.04	0.91	0.136	3.46	34.3
A180251M BO4U8A00	12	8~16	-40~105	2200	0.044	0.52	27.00	0.76	0.099	2.51	30.0
A180251M BO4UE000	12	8~16	-40~105	1600	0.016	0.19	19.64	0.56	0.052	1.33	22.6
A180251M BO4U9A00	12	8~16	-40~105	1500	0.016	0.19	17.87	0.51	0.048	1.23	20.0

Notes: Specifications are subject to change without notice. Please refer to the product data sheet provided by our sales.  
<https://www.i-hzlw.com>

DC Brushless Fan

# 92X92X25 mm

High Speed, High Operating Temperature 95 °C /105 °C

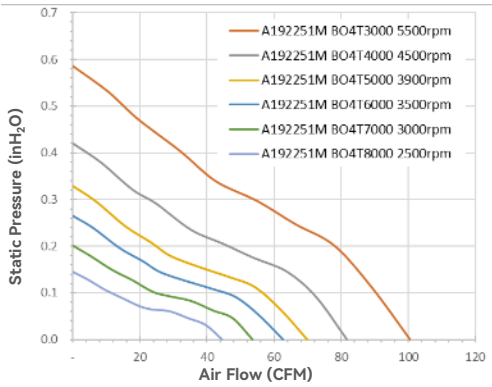
iCar Fan Series

RoHS compliant  
IATF 16949 Certification  
AEC-Q

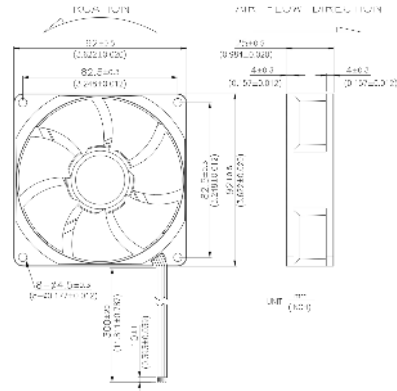


- Housing: Plastic (UL 94V-0)
- Impeller: Plastic (UL 94V-0)
- Bearing: Ball bearings
- Control Options: +/-/FG/PWM
- Weight: 103g

## ■ Air Flow-Static Pressure Characteristics



## ■ Dimensions drawing (mm)



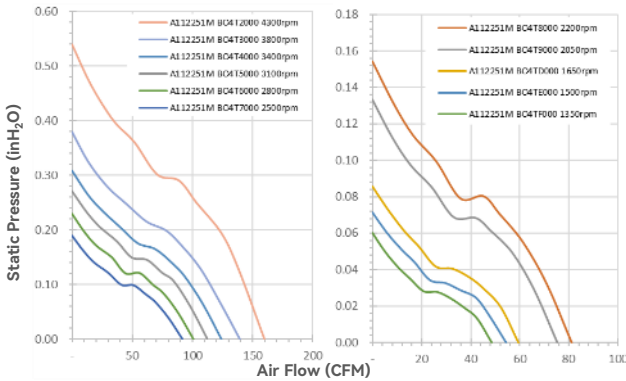
AEC-Q Model No.		Rated Voltage	Operating Voltage Range	Operating Temp.	Speed	Input Current	Input Power	Maximum Air Flow		Maximum Air Pressure		Noise @50CM
		VDC	VDC	°C	RPM	Amp	Watt	CFM	m <sup>3</sup> /min	inH <sub>2</sub> O	mmH <sub>2</sub> O	dB(A)
A192251M	BO4T3000	12	8~16	-40~95	5500	0.88	10.6	100.4	2.84	0.59	14.9	51.0
A192251M	BO4T4000	12	8~16	-40~95	4500	0.42	5.1	81.7	2.31	0.42	10.7	46.5
A192251M	BO4T5000	12	8~16	-40~95	3900	0.27	3.3	69.8	1.97	0.33	8.4	42.0
A192251M	BO4T6000	12	8~16	-40~95	3500	0.20	2.4	62.6	1.77	0.27	6.7	38.4
A192251M	BO4T7000	12	8~16	-40~95	3000	0.13	1.6	53.6	1.52	0.20	5.1	36.0
A192251M	BO4T8000	12	8~16	-40~95	2500	0.09	1.1	44.6	1.26	0.13	3.3	32.0
A192251M	BO4U3000	12	8~16	-40~105	5500	0.88	10.6	100.4	2.84	0.59	14.9	51.0
A192251M	BO4U4000	12	8~16	-40~105	4500	0.42	5.1	81.7	2.31	0.42	10.7	46.5
A192251M	BO4U5000	12	8~16	-40~105	3900	0.27	3.3	69.8	1.97	0.33	8.4	42.0
A192251M	BO4U6000	12	8~16	-40~105	3500	0.20	2.4	62.6	1.77	0.27	6.7	38.4
A192251M	BO4U7000	12	8~16	-40~105	3000	0.13	1.6	53.6	1.52	0.20	5.1	36.0
A192251M	BO4U8000	12	8~16	-10~70	2500	0.09	1.1	44.6	1.26	0.13	3.3	32.0

Notes: Specifications are subject to change without notice. Please refer to the product data sheet provided by our sales.  
<https://www.i-hzlw.com>

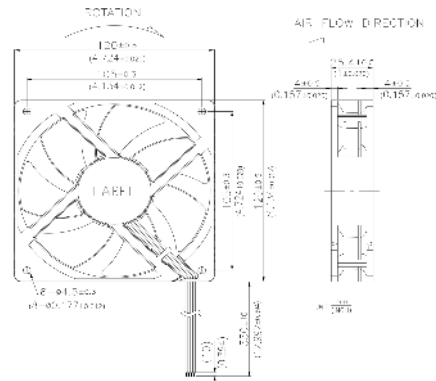


- Housing: Plastic (UL 94V-0)
- Impeller: Plastic (UL 94V-0)
- Bearing: Ball bearings
- Control Options: +/-/FG/PWM
- Weight: 195g

### ■ Air Flow-Static Pressure Characteristics



### ■ Dimensions drawing (mm)



AEC-Q Model No.		Rated Voltage	Operating Voltage Range	Operating Temp.	Speed	Input Current	Input Power	Maximum Air Flow		Maximum Air Pressure		Noise @50CM
		VDC	VDC	°C	RPM	Amp	Watt	CFM	m <sup>3</sup> /min	inH <sub>2</sub> O	mmH <sub>2</sub> O	dB(A)
A112251M	BO4T2000	12	8~16	-40~95	4300	1.04	12.48	159.7	4.5	0.54	13.7	54.2
A112251M	BO4T3000	12	8~16	-40~95	3800	0.667	8.00	139.2	3.9	0.38	9.6	51.0
A112251M	BO4T4000	12	8~16	-40~95	3400	0.480	5.76	124.2	3.5	0.31	7.8	48.7
A112251M	BO4T5000	12	8~16	-40~95	3100	0.378	4.53	112.4	3.2	0.27	6.9	46.1
A112251M	BO4T6000	12	8~16	-40~95	2800	0.273	3.28	100.8	2.9	0.23	5.8	42.5
A112251M	BO4T7000	12	8~16	-40~95	2500	0.230	2.76	92.0	2.6	0.19	4.8	39.3
A112251M	BO4T8000	12	8~16	-40~95	2200	0.169	2.03	81.2	2.3	0.15	3.9	35.7
A112251M	BO4T9000	12	8~16	-40~95	2050	0.143	1.72	75.4	2.1	0.13	3.4	33.7
A112251M	BO4TD000	12	8~16	-40~95	1650	0.081	0.97	59.4	1.7	0.09	2.2	28.5
A112251M	BO4TE000	12	8~16	-40~95	1500	0.057	0.69	54.6	1.5	0.07	1.8	26.0
A112251M	BO4TF000	12	8~16	-40~95	1350	0.050	0.61	48.7	1.4	0.06	1.5	23.8

Notes: Specifications are subject to change without notice. Please refer to the product data sheet provided by our sales.  
<https://www.i-hzlw.com>

DC Brushless Fan

# 120X120X25 mm

High Speed, High Operating Temperature 105 °C

iCar Fan Series

RoHS compliant

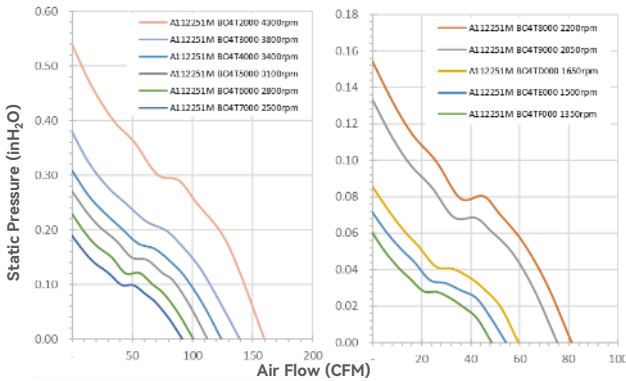
IATF 16949 Certification

AEC-Q

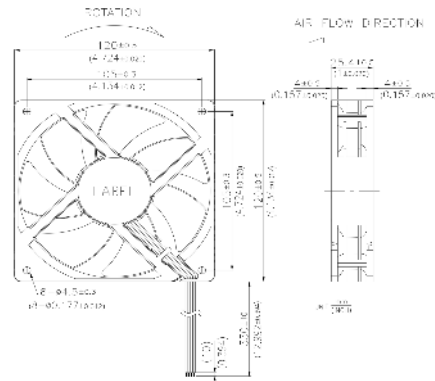


- Housing: Plastic (UL 94V-0)
- Impeller: Plastic (UL 94V-0)
- Bearing: Ball bearings
- Control Options: +/-/FG/PWM
- Weight: 195g

## ■ Air Flow-Static Pressure Characteristics



## ■ Dimensions drawing (mm)



AEC-Q Model No.		Rated Voltage	Operating Voltage Range	Operating Temp.	Speed	Input Current	Input Power	Maximum Air Flow		Maximum Air Pressure		Noise @50CM
		VDC	VDC	°C	RPM	Amp	Watt	CFM	m <sup>3</sup> /min	inH <sub>2</sub> O	mmH <sub>2</sub> O	dB(A)
A112251M	BO4U2000	12	8~16	-40~105	4300	1.04	12.48	159.7	4.5	0.54	13.7	54.2
A112251M	BO4U3000	12	8~16	-40~105	3800	0.667	8.00	139.2	3.9	0.38	9.6	51.0
A112251M	BO4U4000	12	8~16	-40~105	3400	0.480	5.76	124.2	3.5	0.31	7.8	48.7
A112251M	BO4U5000	12	8~16	-40~105	3100	0.378	4.53	112.4	3.2	0.27	6.9	46.1
A112251M	BO4U6000	12	8~16	-40~105	2800	0.273	3.28	100.8	2.9	0.23	5.8	42.5
A112251M	BO4U7000	12	8~16	-40~105	2500	0.230	2.76	92.0	2.6	0.19	4.8	39.3
A112251M	BO4U8000	12	8~16	-40~105	2200	0.169	2.03	81.2	2.3	0.15	3.9	35.7
A112251M	BO4U9000	12	8~16	-40~105	2050	0.143	1.72	75.4	2.1	0.13	3.4	33.7
A112251M	BO4UD000	12	8~16	-40~105	1650	0.081	0.97	59.4	1.7	0.09	2.2	28.5
A112251M	BO4UE000	12	8~16	-40~105	1500	0.057	0.69	54.6	1.5	0.07	1.8	26.0
A112251M	BO4UF000	12	8~16	-40~105	1350	0.050	0.61	48.7	1.4	0.06	1.5	23.8

Notes: Specifications are subject to change without notice. Please refer to the product data sheet provided by our sales.  
<https://www.i-hzlw.com>

# HUZHUN

Stay Cool. Stay Ahead.

## Huazhun Tech Co., Ltd

<https://www.i-hzlw.com>

[huazhun@i-huazhun.com](mailto:huazhun@i-huazhun.com)

ADD: 2F.-1, No. 110, Sanduo 4th Rd., Lingya Dist., Kaohsiung City 802, Taiwan

TEL: +886-7-2692979



WEBSITE