

Stay Cool.
Stay Ahead.

DC BRUSHLESS
Axial Fan and Blower

RoHS compliant

HUAZHUN

HUAZHUN

Innovating Thermal Solutions for an Unlimited Technological Future

Huazhun Tech Co., Ltd. is headquartered in Kaohsiung, Taiwan, and established its manufacturing base in Suzhou, Jiangsu Province in 2019. HUAZHUN specializes in the research, development, and professional manufacturing of cooling fan products. As a young and dynamic company, we are powered by a team of experienced thermal engineers and highly skilled production specialists. As technology continues to evolve rapidly, we embrace innovation and are dedicated to advancing next-generation thermal solutions. With passion and expertise, we develop customized cooling products that enable modern electronic devices to perform at their best. We strive to help our clients integrate cutting-edge chips and computing technologies into real-world applications, opening limitless possibilities for the next era of innovation.

Service Locations



3 Professional Manufacturing Facilities

Cooling Fan production capacity: 1.38M / month



Suzhou Factory (2019)
(Suzhou, Jiangsu, China)



Tainan Factory (2025)
(Taiwan)



Vietnam Factory (2026)
(Bắc Giang)










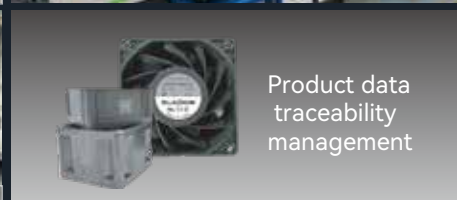
Stay Cool. Stay Ahead.

Keeps your system cool, steady, and exceptional



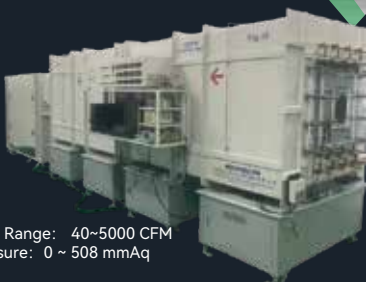
Automated Manufacturing

HUAZHUN continues to elevate its high-quality manufacturing by integrating automated production, digitalized management, and full product data traceability. Our automated production lines enable end-to-end assembly and inspection from raw materials to finished products. Minimizing human intervention and ensuring precise, unified quality control. At the same time, our automation equipment and standardized quality management system allow us to rapidly deploy and scale new manufacturing sites across diverse regions. This agility ensures that every HUAZHUN facility delivers consistent performance, efficiency, and reliability from day one.

Stator Winding Automated production line		Magnetization and Magnet Insertion Automated production line		Final Assembly Automated production line
				
				
				

Committed to the development of intelligent heat dissipation technology

Head Measurement System (HMS) for Psychoacoustic Analysis

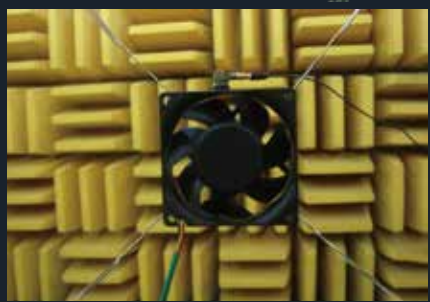


Air Flow Range: 40~5000 CFM
Air Pressure: 0 ~ 508 mmAq

Huazhun fans employ advanced smart electronic control technology, combining precision simulation engineering and innovative materials to deliver exceptional cooling performance and ultra-quiet operation for industrial and consumer electronics.

Psychoacoustics and Simulation Analysis

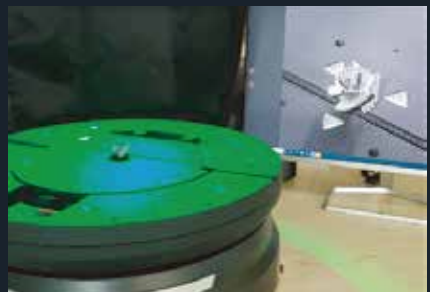
Huazhun R&D Center leverages advanced precision hardware and software, including Head Measurement System (HMS) for psychoacoustic analysis, vibration modal analyzers, and high-precision 3D measuring devices—to build a comprehensive technology map for intelligent cooling solutions.



Noise / Vibration Measurement and Analysis

Reliability Laboratory

A comprehensive reliability system ensures that HUAZHUN's fan products undergo rigorous quality validation at every stage—from Design Verification Test (DVT), Manufacturing Verification Test (MVT), to Outgoing Reliability Test (ORT). This systematic approach enables precise evaluation of product reliability and allows for customized validation tailored to the specific requirements of various industries, ensuring the stability and performance of fan products across diverse applications.



High-Precision 3D Inspection Scanner

Our fan product development focuses on five key pillars: high performance, long life, low power consumption, low noise, and low vibration. Supported by advanced hardware and software for fundamental research, we delve into motor magnetic circuits, blade airflow, structural stress, noise and vibration, and circuit design to create high-performance, optimized fan designs. With an experienced R&D team, we provide tailored cooling solutions for a wide range of industrial equip-



Reliability Laboratory



Life Test (Burning Room)



Climatic Test (climatic and thermal chamber)

HUAZHUN Products

Huazhun offers an impressive range of thermal fan products across 5 series : iCAR Fan, iCLOUD Fan, iMINI Fan, iWATER & SALT Fan and iCOOL Fan. These products encompass over 1000 models, providing a diverse selection for various applications.



High-efficiency iCLOUD Fan

iCLOUD Fan high-performance series is designed for next-generation data center cooling, delivering a more efficient active thermal solution.

Micro, ultra-thin, and lightweight iMINI Fan



iMINI Fan micro-size series is engineered for ultra-thin, lightweight thermal designs, delivering the ideal cooling solution for next-generation smart mobile devices. EMC/ESD protection.

High reliability iCAR Fan



iCAR Fan High-Temperature Series is engineered specifically for automotive cooling performance. Designed for high reliability and extreme temperature endurance, it operates from -40 to 95°C / 105°C and meets stringent standards such as AEC-Q automotive qualification and EMC/ESD protection.

High protection level iWATER & iSALT Fan



iWATER Fan and iSALT Fan, designed for the harshest outdoor conditions, these high-protection fans deliver IP68 dust and water resistance and GR487 salt spray durability.

Full range iCOOL Fan



iCOOL Fan compact series is a versatile cooling solution designed for a wide range of electronic devices. Offering a full range of 20 mm to 120 mm brushless DC fans





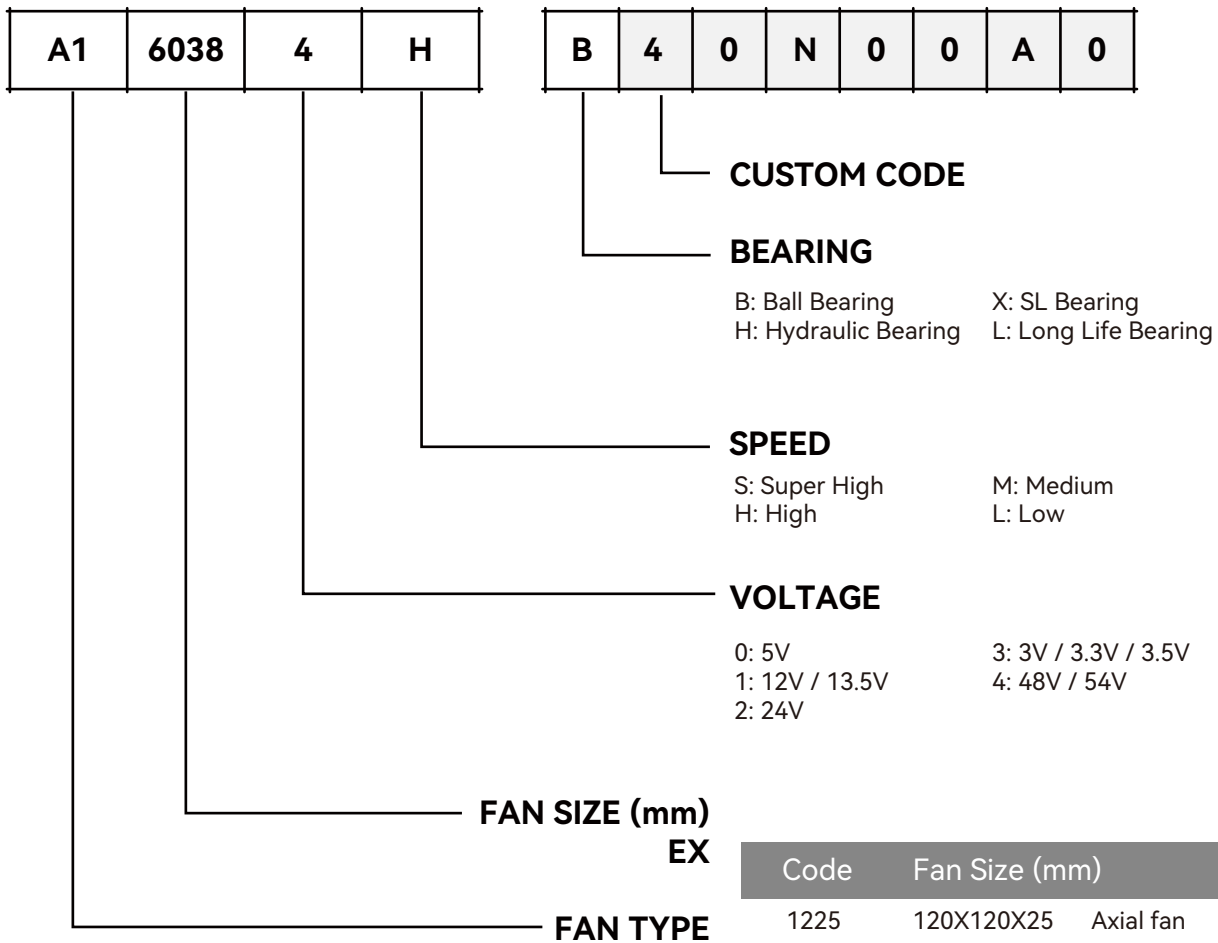
- 01** About HUAZHUN
- 04** HUAZHUN Products
- 06** Model Numbering System
- 07** DC Blower
- 25** DC Axial Fan

DC Blower	
Fan Size (mm)	Page
15X15X03	8
17X17X03	10
20X20X03	11
20X20X05	12
25X25X03	13
26X26X06	14
30X30X03	15
30X30X04	16
30X30X05	19
30X30X09	20
30X30X10	21
35X35X05	22
50X50X15	23

DC Axial Fan	
Fan Size (mm)	Page
20X20X06	26
25X25X10	27
30X30X10	28
35X35X10	29
36X36X28	30
38X38X28	31
40X40X10	32
40X40X20	34
40X40X28	37
40X40X56	42
50X50X10	44
50X50X15	45
60X60X10	47
60X60X25	48
60X60X38	50
60X60X56	53
70X70X25	54
80X80X15	56
80X80X25	57
80X80X38	60
80X80X56	64
80X80X80	65
92X92X25	66
92X92X38	68
108X108X32	69
120X120X20	70
120X120X25	71
120X120X38	72
200X70	74

HUAZHUN

DC Fan Model Numbering System



BEARING
 B: Ball Bearing X: SL Bearing
 H: Hydraulic Bearing L: Long Life Bearing

SPEED
 S: Super High M: Medium
 H: High L: Low

VOLTAGE
 0: 5V 3: 3V / 3.3V / 3.5V
 1: 12V / 13.5V
 2: 24V 4: 48V / 54V

Code	Fan Type
A1	Axial Fans (Single phase motor)
A3	Axial Fans (3-phase motor)
B1	Blowers (Single phase motor)
B3	Blowers (3-phase motor)
M1	Mini Fans (Single phase motor)
M3	Mini Fans (3-phase motor)
D1	Dual Fans (Single phase motor)
D3	Dual Fans (3-phase motor)

Code	Fan Size (mm)	
1225	120X120X25	Axial fan
4010	40X40X10	Axial fan
4020	40X40X20	Axial fan
4028	40X40X28	Axial fan
4056	40X40X56	Axial fan
5020	50X50X20	Axial fan
6002	60X60X02	Axial fan
8086	80X80X86	Axial fan
9733	97X97X33	Axial fan
A173	17X17X3	Axial fan
B153	15X15X3	Blower



HUAZHUN®

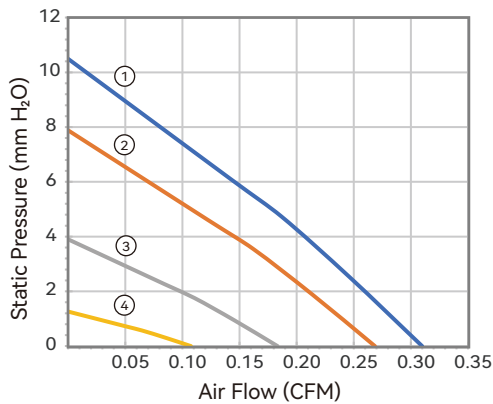
**DC Brushless
BLOWER**

15X15X3 mm

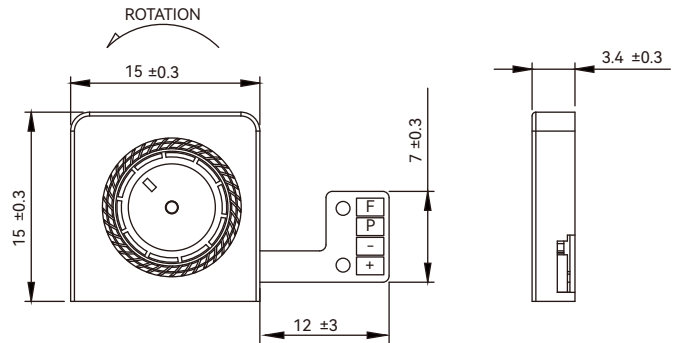


- Housing: Plastic (UL 94V-0)
- Impeller: Plastic (UL 94V-0)
- Bearing: Hydraulic bearings
- Control Options: +/-/FG/PWM
- Weight: 0.92 g

■ Air Flow-Static Pressure Characteristics

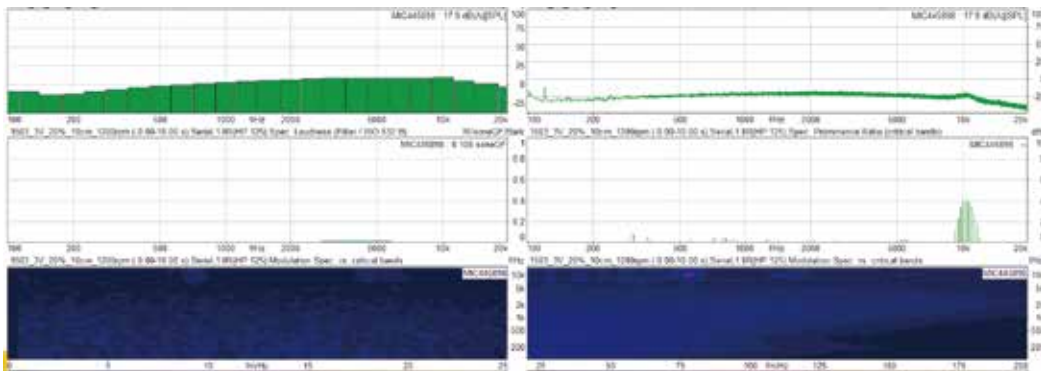


■ Dimensions Drawing (mm)



Model No.	Rated Voltage VDC	Operating Voltage Range VDC	Operating Temp. °C	Speed RPM	Input Current Amp	Input Power Watts	Maximum Air Flow		Maximum Air Pressure		Noise @30cm dB(A)
							CFM	l/min	Pa	mmH ₂ O	
① M1B1533H H40N10N0	3	2.5~3.5	-10~60	22500	0.250	0.75	0.31	8.78	102.9	10.49	37.6
② M1B1533H H40N20N0	3	2.5~3.5	-10~60	19500	0.160	0.48	0.27	7.61	77.3	7.88	34.7
③ M1B1533H H40N30N0	3	2.5~3.5	-10~60	13300	0.094	0.28	0.18	5.19	38.2	3.90	26.8
④ M1B1533H H40N40N0	3	2.5~3.5	-10~60	7800	0.043	0.13	0.11	3.04	12.4	1.26	15.8

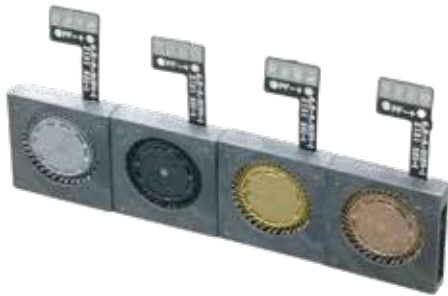
■ 20% Duty Speed Sound Quality Spectrum



Notes: Specifications are subject to change without notice. Please refer to the product data sheet provided by our sales.
<https://www.i-hzlw.com>

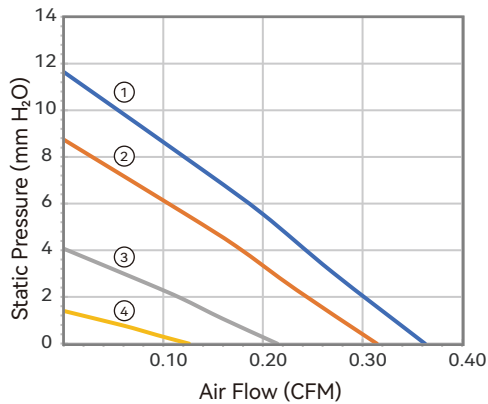
15X15X3 mm

Colored Metal Fan Blades

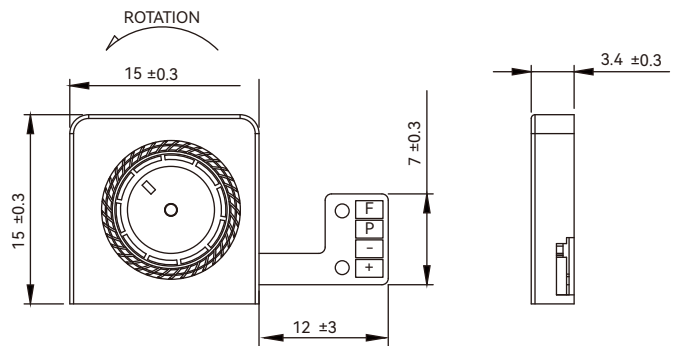


- Housing: Plastic (UL 94V-0)
- Impeller: Metal
- Bearing: Hydraulic bearings
- Control Options: +/-/FG/PWM
- Weight: 1.15 g

■ Air Flow-Static Pressure Characteristics

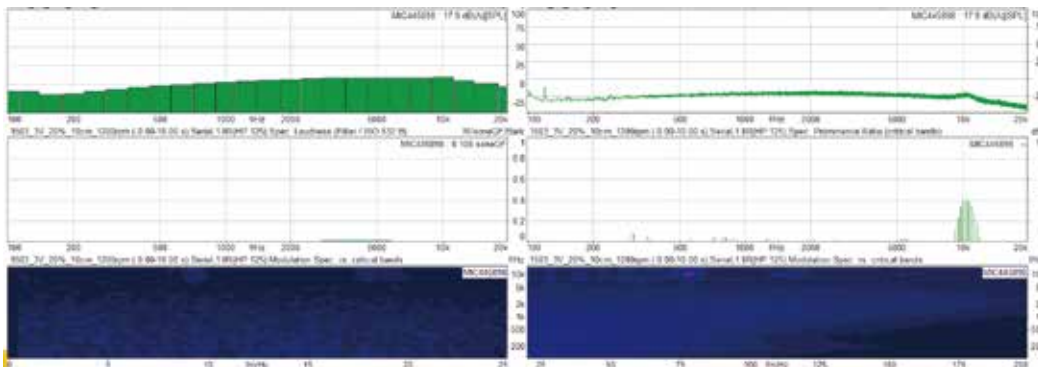


■ Dimensions Drawing (mm)



Model No.	Rated Voltage VDC	Operating Voltage Range VDC	Operating Temp. °C	Speed RPM	Input Current Amp	Input Power Watts	Maximum Air Flow		Maximum Air Pressure		Noise @30cm dB(A)
							CFM	l/min	Pa	mmH ₂ O	
① M1B1533H H40N10M0	3	2.5~3.5	-10~60	22500	0.250	0.75	0.36	10.27	114.2	11.64	36.9
② M1B1533H H40N20M0	3	2.5~3.5	-10~60	19500	0.160	0.48	0.31	8.90	85.8	8.74	33.9
③ M1B1533H H40N30M0	3	2.5~3.5	-10~60	13300	0.094	0.28	0.21	6.07	39.9	4.07	25.7
④ M1B1533H H40N40M0	3	2.5~3.5	-10~60	7800	0.043	0.13	0.13	3.56	13.7	1.40	15.0

■ 20% Duty Speed Sound Quality Spectrum



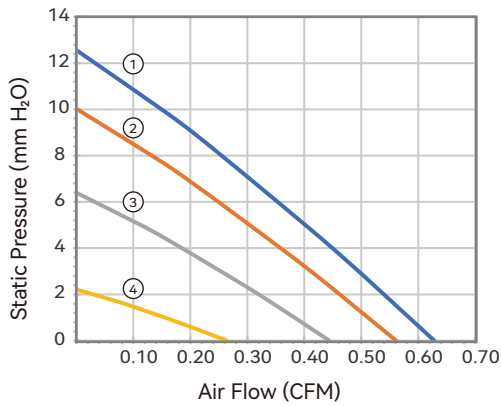
Notes: Specifications are subject to change without notice. Please refer to the product data sheet provided by our sales.
<https://www.i-hzlw.com>

17X17X3 mm

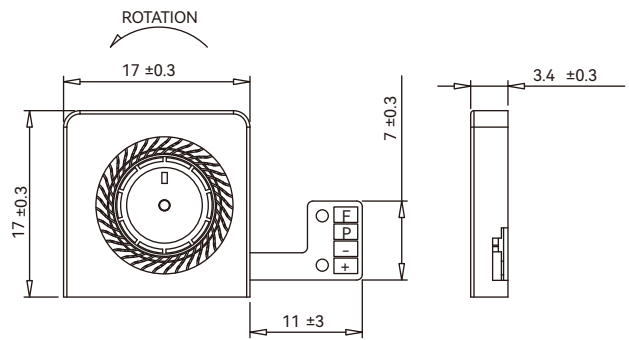


- Housing: Plastic (UL 94V-0)
- Impeller: Plastic (UL 94V-0)
- Bearing: Hydraulic bearings
- Control Options: +/-/FG/PWM
- Weight: 1.09 g

■ Air Flow-Static Pressure Characteristics

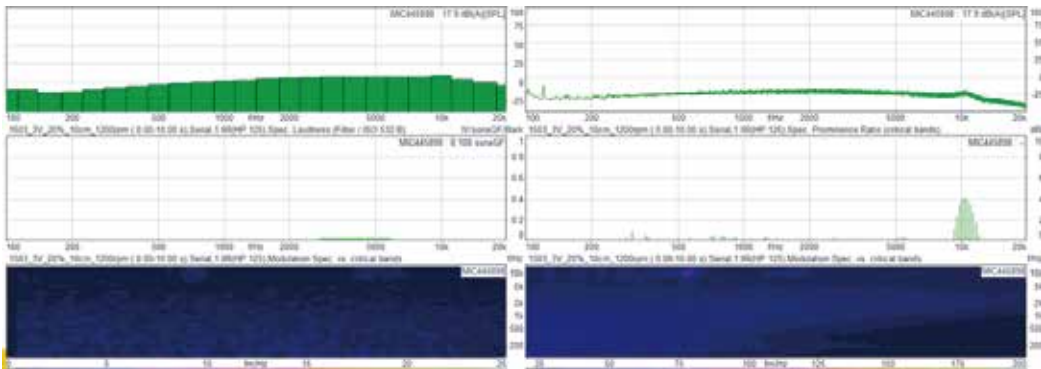


■ Dimensions Drawing (mm)



Model No.	Rated Voltage VDC	Operating Voltage Range VDC	Operating Temp. °C	Speed RPM	Input Current Amp	Input Power Watts	Maximum Air Flow		Maximum Air Pressure		Noise @30cm dB(A)
							CFM	l/min	Pa	mmH ₂ O	
① M1B1733H HQ4010	3	2.5~3.5	-10~60	20600	0.250	0.75	0.44	12.40	122.5	12.49	40.0
② M1B1733H HQ4020	3	2.5~3.5	-10~60	16700	0.160	0.48	0.36	10.05	80.5	8.21	35.6
③ M1B1733H HQ4030	3	2.5~3.5	-10~60	12100	0.095	0.29	0.26	7.28	45.6	4.65	26.5
④ M1B1733H HQ4040	3	2.5~3.5	-10~60	7600	0.043	0.13	0.16	4.58	16.7	1.70	19.4

■ 20% Duty Speed Sound Quality Spectrum

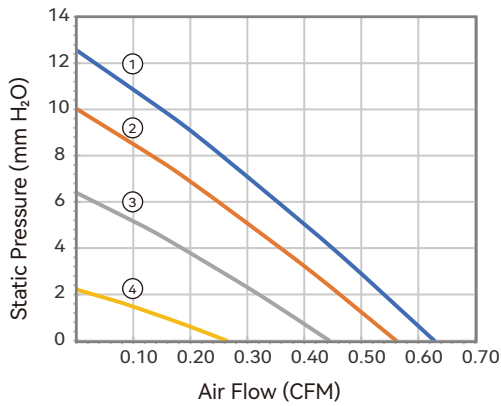


Notes: Specifications are subject to change without notice. Please refer to the product data sheet provided by our sales.
<https://www.i-hzlw.com>

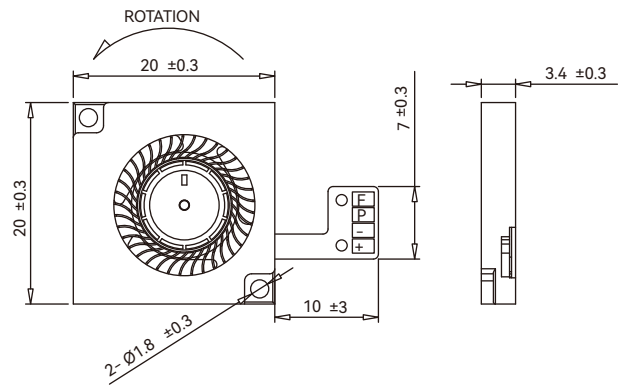


- Housing: Plastic (UL 94V-0)
- Impeller: Plastic (UL 94V-0)
- Bearing: Hydraulic bearings
- Control Options: +/-/FG/PWM
- Weight: 1.18 g

■ Air Flow-Static Pressure Characteristics

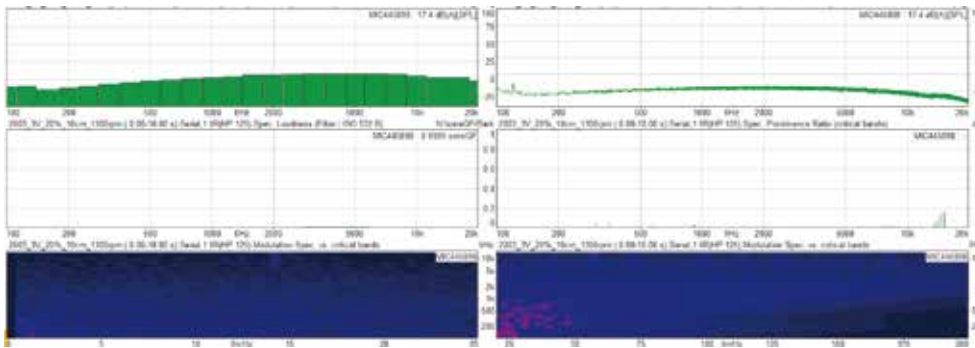


■ Dimensions Drawing (mm)



Model No.	Rated Voltage VDC	Operating Voltage Range VDC	Operating Temp. °C	Speed RPM	Input Current Amp	Input Power Watts	Maximum Air Flow		Maximum Air Pressure		Noise @30cm dB(A)
							CFM	l/min	Pa	mmH ₂ O	
① M1B2033H HQ4010	3	2.5~3.5	-10~60	15000	0.250	0.750	0.63	17.78	123.2	12.56	36.7
② M1B2033H HQ4020	3	2.5~3.5	-10~60	13400	0.160	0.480	0.56	15.89	98.3	10.03	34.3
③ M1B2033H HQ4030	3	2.5~3.5	-10~60	10600	0.096	0.288	0.44	12.57	62.8	6.40	29.5
④ M1B2033H HQ4040	3	2.5~3.5	-10~60	6300	0.045	0.135	0.26	7.47	21.7	2.22	18.8

■ 20% Duty Speed Sound Quality Spectrum



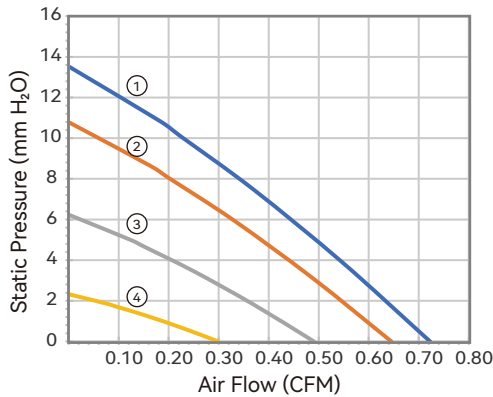
Notes: Specifications are subject to change without notice. Please refer to the product data sheet provided by our sales.
<https://www.i-hzlw.com>

20X20X5 mm

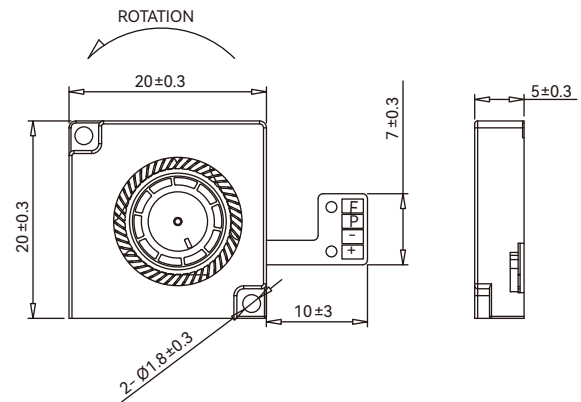


- Housing: Plastic (UL 94V-0)
- Impeller: Plastic (UL 94V-0)
- Bearing: Hydraulic bearings
- Control Options: +/-/FG/PWM
- Weight: 1.35 g

■ Air Flow-Static Pressure Characteristics

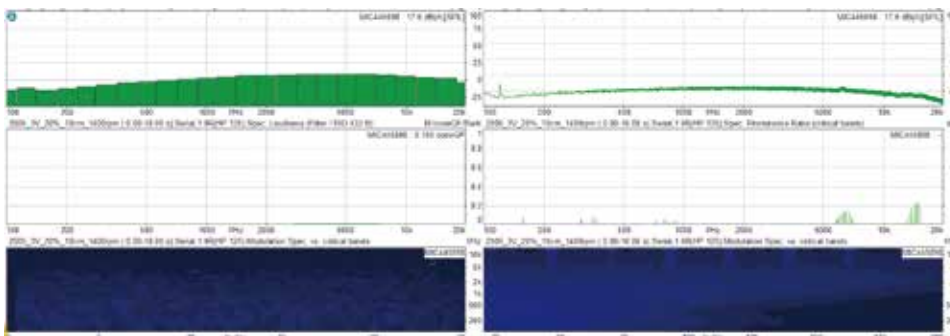


■ Dimensions Drawing (mm)



Model No.	Rated Voltage VDC	Operating Voltage Range VDC	Operating Temp. °C	Speed RPM	Input Current Amp	Input Power Watts	Maximum Air Flow		Maximum Air Pressure		Noise @30cm dB(A)
							CFM	l/min	Pa	mmH ₂ O	
① M1B2053H H40N10N0	3	2.5~3.5	-10~60	14000	0.250	0.750	0.72	20.47	132.7	13.53	35.6
② M1B2053H H40N20N0	3	2.5~3.5	-10~60	12500	0.160	0.480	0.65	18.27	105.8	10.79	33.2
③ M1B2053H H40N30N0	3	2.5~3.5	-10~60	9500	0.096	0.288	0.49	13.89	61.1	6.23	27.6
④ M1B2053H H40N40N0	3	2.5~3.5	-10~60	5800	0.045	0.135	0.30	8.48	22.8	2.32	17.4

■ 20% Duty Speed Sound Quality Spectrum



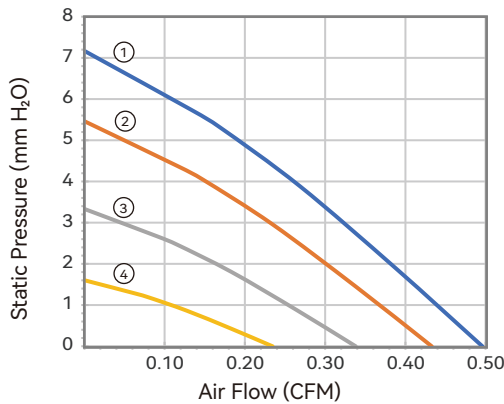
Notes: Specifications are subject to change without notice. Please refer to the product data sheet provided by our sales.
<https://www.i-hzlw.com>

25X25X3 mm

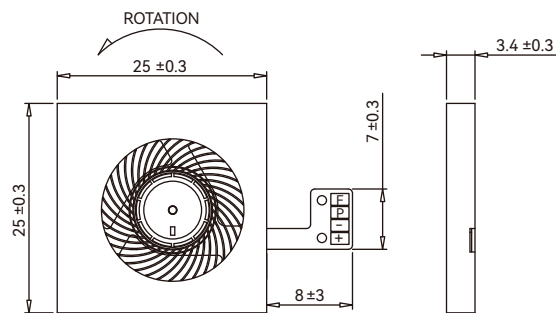


- Housing: Plastic (UL 94V-0)
- Impeller: Plastic (UL 94V-0)
- Bearing: Hydraulic bearings
- Control Options: +/-/FG/PWM
- Weight: 1.6 g

■ Air Flow-Static Pressure Characteristics

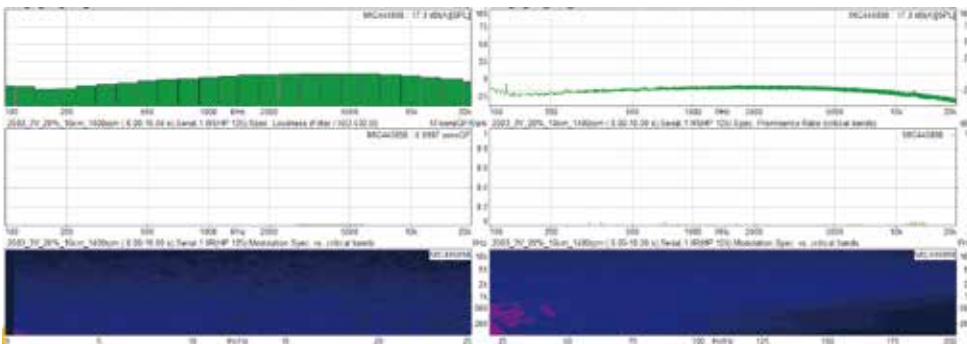


■ Dimensions Drawing (mm)



Model No.	Rated Voltage VDC	Operating Voltage Range VDC	Operating Temp. °C	Speed RPM	Input Current Amp	Input Power Watts	Maximum Air Flow		Maximum Air Pressure		Noise @30cm dB(A)
							CFM	l/min	Pa	mmH ₂ O	
① M1B2533H H40N10N0	3	2.5~3.5	-10~60	11000	0.250	0.750	0.50	14.05	70.3	7.17	26.7
② M1B2533H H40N20N0	3	2.5~3.5	-10~60	9600	0.160	0.480	0.43	12.26	53.6	5.46	23.9
③ M1B2533H H40N30N0	3	2.5~3.5	-10~60	7500	0.096	0.288	0.34	9.58	32.7	3.33	18.8
④ M1B2533H H40N40N0	3	2.5~3.5	-10~60	5200	0.045	0.135	0.23	6.64	15.7	1.60	11.2

■ 20% Duty Speed Sound Quality Spectrum



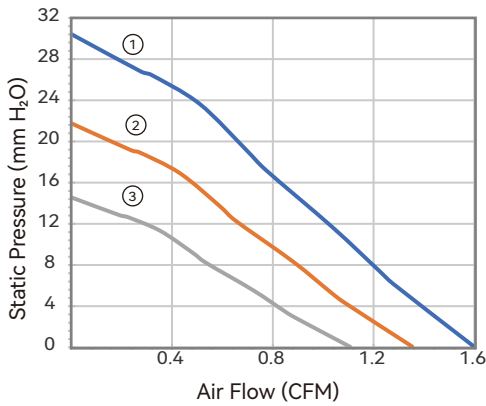
Notes: Specifications are subject to change without notice. Please refer to the product data sheet provided by our sales.
<https://www.i-hzlw.com>

26X26X6 mm

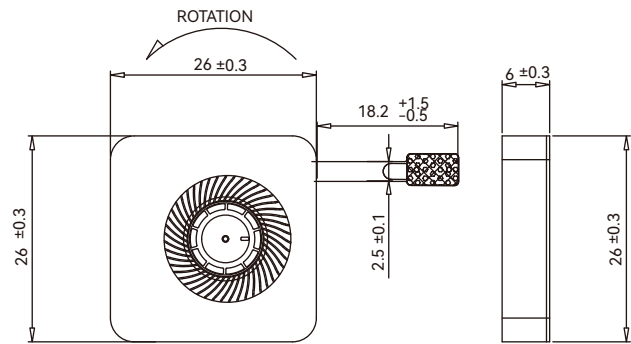


- Housing: Plastic (UL 94V-0)
- Impeller: Plastic (UL 94V-0)
- Bearing: Hydraulic bearings
- Control Options: +/-/FG/PWM
- Weight: 3 g

■ Air Flow-Static Pressure Characteristics



■ Dimensions Drawing (mm)



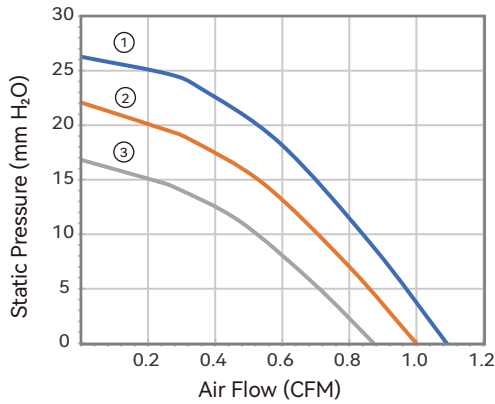
Model No.	Rated Voltage VDC	Operating Voltage Range VDC	Operating Temp. °C	Speed RPM	Input Current Amp	Input Power Watts	Maximum Air Flow		Maximum Air Pressure		Noise @30cm dB(A)
							CFM	l/min	Pa	mmH ₂ O	
① M1B2660H H40N10N0	5	3.5 ~ 5.5	-10~60	13000	0.27	1.35	1.60	45.31	298	30.4	40.6
② M1B2660H H40N20N0	5	3.5 ~ 5.5	-10~60	11000	0.17	0.85	1.35	38.23	214	21.8	34.6
③ M1B2660H H40N30N0	5	3.5 ~ 5.5	-10~60	9000	0.09	0.45	1.11	31.43	143	14.6	30.3

Notes: Specifications are subject to change without notice. Please refer to the product data sheet provided by our sales.
<https://www.i-hzlw.com>

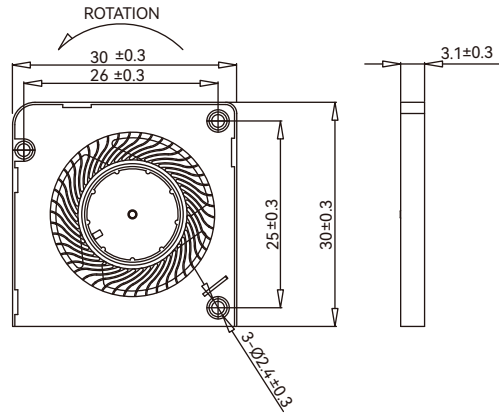


- Housing: Plastic (UL 94V-0)
- Impeller: Plastic (UL 94V-0)
- Bearing: Hydraulic bearings
- Control Options: +/-/FG/PWM
- Weight: 3.45 g

■ Air Flow-Static Pressure Characteristics

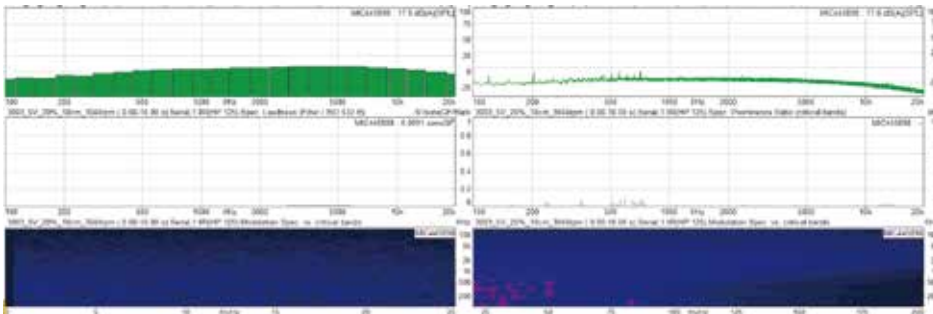


■ Dimensions Drawing (mm)



Model No.	Rated Voltage VDC	Operating Voltage Range VDC	Operating Temp. °C	Speed RPM	Input Current Amp	Input Power Watts	Maximum Air Flow		Maximum Air Pressure		Noise @30cm dB(A)
							CFM	l/min	Pa	mmH ₂ O	
① M1B3030H H40N10N0	5	3.5~5.5	-10~60	12200	0.37	1.86	1.09	30.87	258	26.3	30.1
② M1B3030H H40N20N0	5	3.5~5.5	-10~60	11000	0.26	1.30	1.00	28.29	216	22.1	28.3
③ M1B3030H H40N30N0	5	3.5~5.5	-10~60	9600	0.18	0.91	0.87	24.69	165	16.8	25.0

■ 20% Duty Speed Sound Quality Spectrum



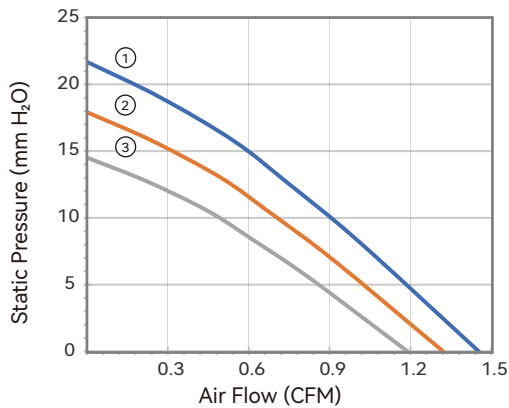
30X30X4 mm

High Air Flow

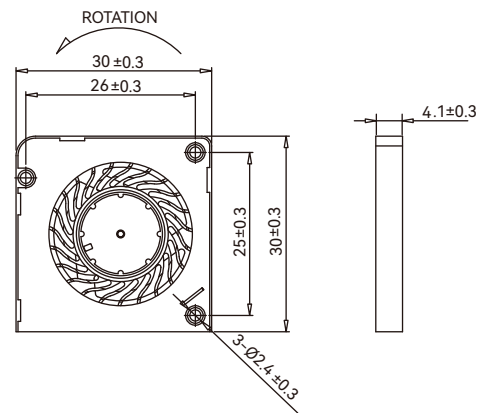


- Housing: Plastic (UL 94V-0)
- Impeller: Plastic (UL 94V-0)
- Bearing: Hydraulic bearings
- Control Options: +/-/FG/PWM
- Weight: 5.6 g

■ Air Flow-Static Pressure Characteristics

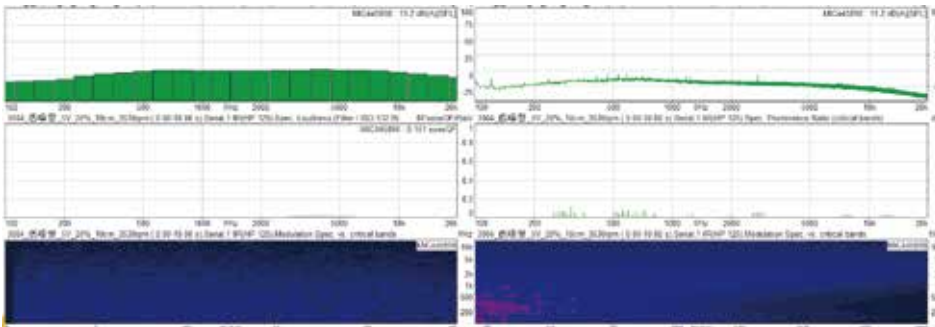


■ Dimensions Drawing (mm)



Model No.	Rated Voltage VDC	Operating Voltage Range VDC	Operating Temp. °C	Speed RPM	Input Current Amp	Input Power Watts	Maximum Air Flow		Maximum Air Pressure		Noise @1M dB(A)
							CFM	l/min	Pa	mmH ₂ O	
① M1B3040H HQ4010	5	3.5~5.5	-10~60	11000	0.38	1.88	1.45	41.17	212	21.7	32.5
② M1B3040H HQ4020	5	3.5~5.5	-10~60	10000	0.26	1.30	1.32	37.42	176	17.9	30.7
③ M1B3040H HQ4030	5	3.5~5.5	-10~60	9000	0.18	0.92	1.19	33.68	142	14.5	28.0

■ 20% Duty Speed Sound Quality Spectrum



Notes: Specifications are subject to change without notice. Please refer to the product data sheet provided by our sales.
<https://www.i-hzlw.com>

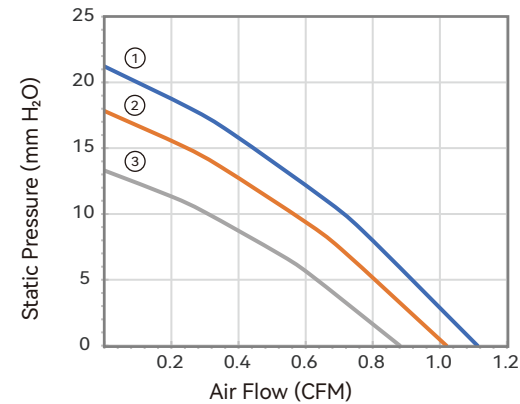
30X30X4 mm

Low Noise

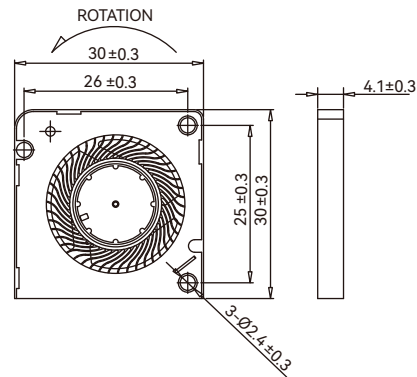


- Housing: Plastic (UL 94V-0)
- Impeller: Plastic (UL 94V-0)
- Bearing: Hydraulic bearings
- Control Options: +/-/FG/PWM
- Weight: 5.6 g

■ Air Flow-Static Pressure Characteristics

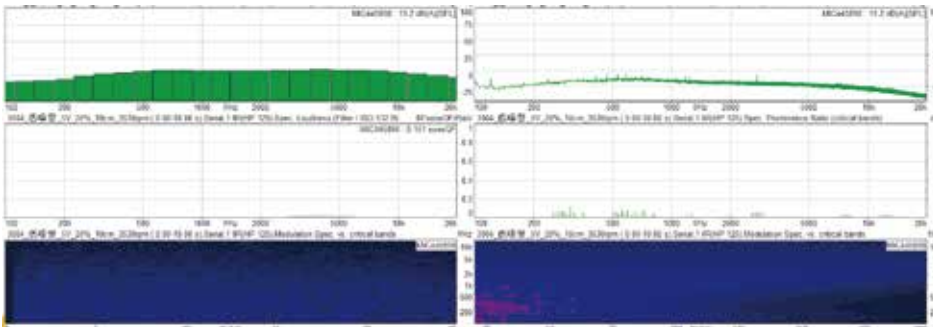


■ Dimensions Drawing (mm)



Model No.	Rated Voltage VDC	Operating Voltage Range VDC	Operating Temp. °C	Speed RPM	Input Current Amp	Input Power Watts	Maximum Air Flow		Maximum Air Pressure		Noise @1M dB(A)
							CFM	l/min	Pa	mmH ₂ O	
① M1B3040H HQ4N10	5	3.5~5.5	-10~60	12000	0.38	1.88	1.11	31.48	208	21.2	30.9
② M1B3040H HQ4N20	5	3.5~5.5	-10~60	11000	0.26	1.30	1.02	28.86	175	17.8	28.8
③ M1B3040H HQ4N30	5	3.5~5.5	-10~60	9500	0.18	0.90	0.88	24.92	130	13.3	25.9

■ 20% Duty Speed Sound Quality Spectrum



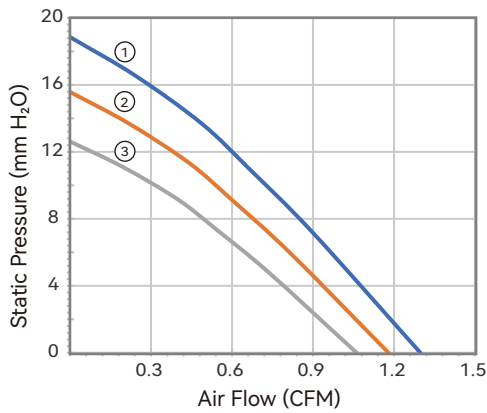
Notes: Specifications are subject to change without notice. Please refer to the product data sheet provided by our sales.
<https://www.i-hzlw.com>

30X30X4 mm

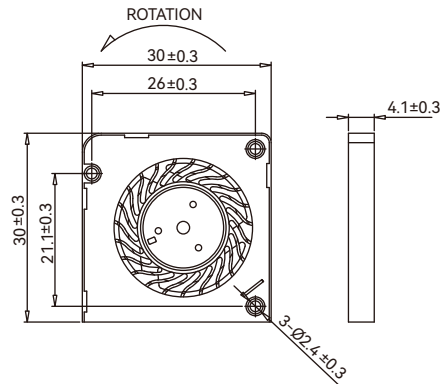


- Housing: Plastic (UL 94V-0)
- Impeller: Plastic (UL 94V-0)
- Bearing: Hydraulic bearings
- Control Options: +/-/FG/PWM
- Weight: 5.6 g

■ Air Flow-Static Pressure Characteristics

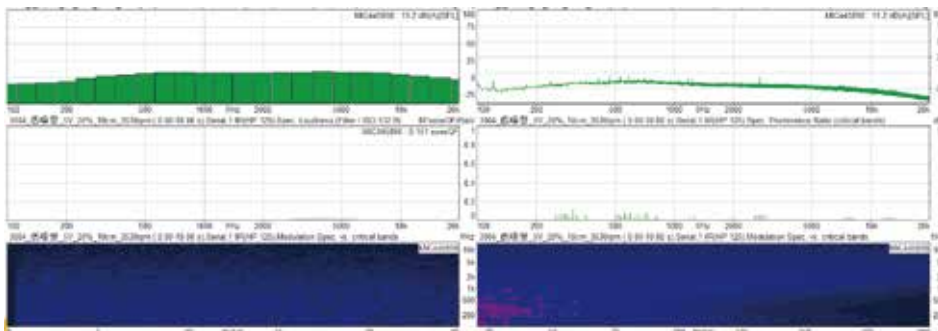


■ Dimensions Drawing (mm)



Model No.	Rated Voltage VDC	Operating Voltage Range VDC	Operating Temp. °C	Speed RPM	Input Current Amp	Input Power Watts	Maximum Air Flow		Maximum Air Pressure		Noise @1M dB(A)
							CFM	l/min	Pa	mmH ₂ O	
① M1B3040H HQ4C10	5	3.5 ~ 5.5	-10~60	11000	0.38	1.88	1.30	36.76	185	18.9	33.5
② M1B3040H HQ4C20	5	3.5 ~ 5.5	-10~60	10000	0.26	1.30	1.18	33.41	153	15.6	31.9
③ M1B3040H HQ4C30	5	3.5 ~ 5.5	-10~60	9000	0.18	0.92	1.06	30.07	124	12.6	29.8

■ 20% Duty Speed Sound Quality Spectrum



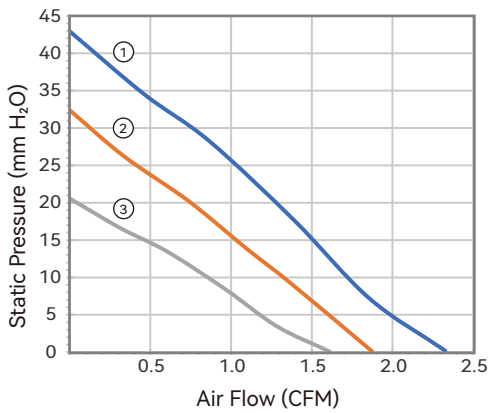
Notes: Specifications are subject to change without notice. Please refer to the product data sheet provided by our sales.
<https://www.i-hzlw.com>

30X30X5 mm

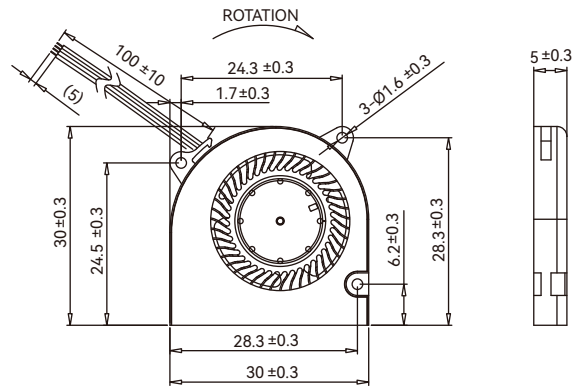


- Housing: Plastic (UL 94V-0)
- Impeller: Plastic (UL 94V-0)
- Bearing: Hydraulic bearings
- Control Options: +/-/FG/PWM
- Weight: 3.2 g

■ Air Flow-Static Pressure Characteristics



■ Dimensions Drawing (mm)



Model No.	Rated Voltage VDC	Operating Voltage Range VDC	Operating Temp. °C	Speed RPM	Input Current Amp	Input Power Watts	Maximum Air Flow		Maximum Air Pressure		Noise @30cm dB(A)
							CFM	l/min	Pa	mmH ₂ O	
① M3B3050H H40N10N0	5	3.5 ~ 5.5	-10~60	13000	0.45	2.25	2.33	65.98	421	43.0	47.2
② M3B3050H H40N20N0	5	3.5 ~ 5.5	-10~60	11000	0.32	1.60	1.87	52.95	317	32.4	43.5
③ M3B3050H H40N30N0	5	3.5 ~ 5.5	-10~60	9000	0.15	0.75	1.61	45.59	202	20.6	37.5

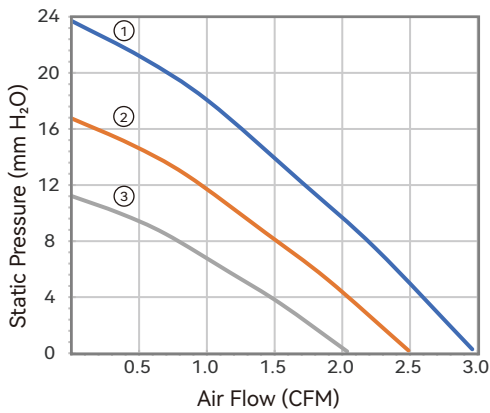
Notes: Specifications are subject to change without notice. Please refer to the product data sheet provided by our sales.
<https://www.i-hzlw.com>

30X30X9 mm

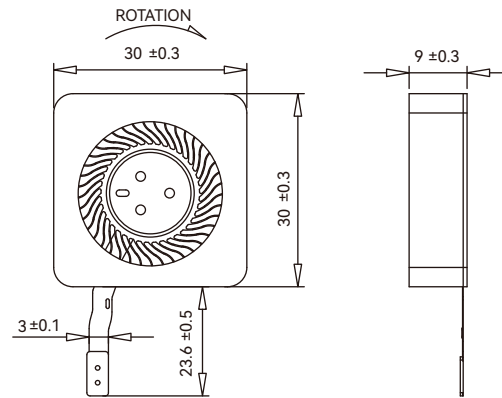


- Housing: Plastic (UL 94V-0)
- Impeller: Plastic (UL 94V-0)
- Bearing: Hydraulic bearings
- Control Options: +/-/FG/PWM
- Weight: 3.8 g

■ Air Flow-Static Pressure Characteristics



■ Dimensions Drawing (mm)



Model No.	Rated Voltage VDC	Operating Voltage Range VDC	Operating Temp. °C	Speed RPM	Input Current Amp	Input Power Watts	Maximum Air Flow		Maximum Air Pressure		Noise @30cm dB(A)
							CFM	l/min	Pa	mmH ₂ O	
① M3B3090H H40N10N0	5	3.5 ~ 5.5	-10~60	13000	0.29	1.45	2.96	83.82	232	23.7	53.0
② M3B3090H H40N20N0	5	3.5 ~ 5.5	-10~60	11000	0.18	0.90	2.49	70.51	165	16.8	47.6
③ M3B3090H H40N30N0	5	3.5 ~ 5.5	-10~60	9000	0.10	0.50	2.10	59.47	111	11.3	43.2

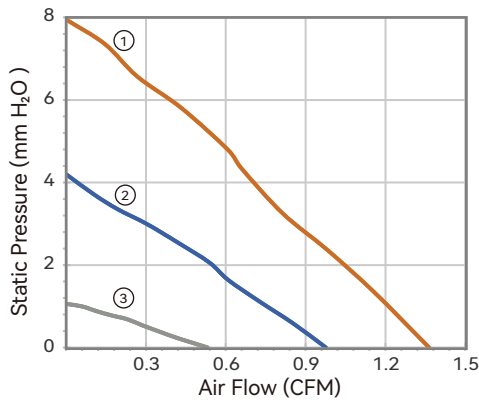
Notes: Specifications are subject to change without notice. Please refer to the product data sheet provided by our sales.
<https://www.i-hzlw.com>

30X30X10 mm

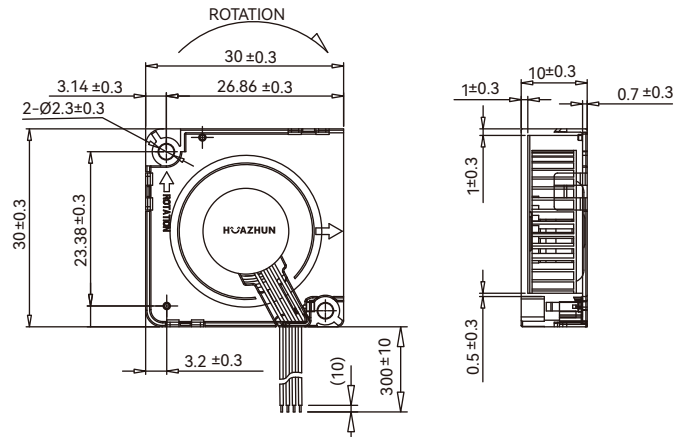


- Housing: Plastic (UL 94V-0)
- Impeller: Plastic (UL 94V-0)
- Bearing: Hydraulic bearings
- Control Options: +/-/FG/PWM
- Weight: 8.1 g

■ Air Flow-Static Pressure Characteristics



■ Dimensions Drawing (mm)



Model No.	Rated Voltage VDC	Operating Voltage Range VDC	Operating Temp. °C	Speed RPM	Input Current Amp	Input Power Watts	Maximum Air Flow		Maximum Air Pressure		Noise @1M dB(A)
							CFM	m ³ /min	inH ₂ O	mmH ₂ O	
① B130100M HO4020N0	5	3.5~5.5	-10~70	8000	0.160	0.80	1.36	0.039	0.313	7.95	29.8
② B130100M HO4030N0	5	3.5~5.5	-10~70	6000	0.086	0.43	0.98	0.028	0.165	4.20	22.5
③ B130100M HO4060N0	5	3.5~5.5	-10~70	3500	0.032	0.16	0.53	0.015	0.046	1.06	16.1
① B130101M H40N20N0	12	7~13.8	-10~70	8000	0.067	0.80	1.36	0.039	0.313	7.95	29.8
② B130101M H40N30N0	12	7~13.8	-10~70	6000	0.036	0.43	0.98	0.028	0.165	4.20	22.5
③ B130101M H40N60N0	12	7~13.8	-10~70	3500	0.013	0.16	0.53	0.015	0.046	1.06	16.1

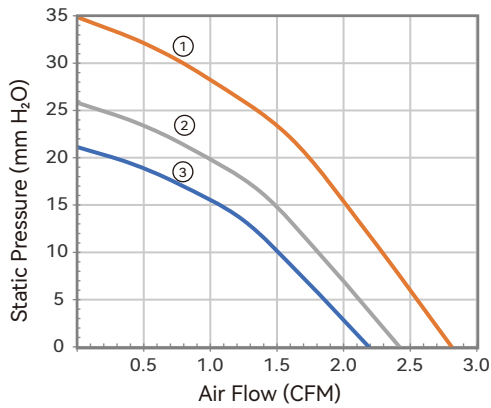
Notes: Specifications are subject to change without notice. Please refer to the product data sheet provided by our sales.
<https://www.i-hzlw.com>

35X35X5 mm

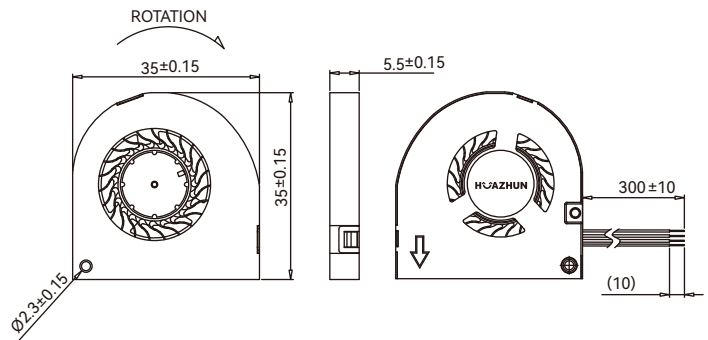


- Housing: Plastic (UL 94V-0)
- Impeller: Plastic (UL 94V-0)
- Bearing: Hydraulic bearings
- Control Options: +/-/FG/PWM
- Weight: 7.5 g

■ Air Flow-Static Pressure Characteristics



■ Dimensions Drawing (mm)



Model No.	Rated Voltage VDC	Operating Voltage Range VDC	Operating Temp. °C	Speed RPM	Input Current Amp	Input Power Watts	Maximum Air Flow		Maximum Air Pressure		Noise @30cm dB(A)
							CFM	l/min	Pa	mmH ₂ O	
① M3B3550H HQ4010	5	3.5~5.5	-10~60	12200	0.36	1.80	2.81	79.62	342	34.9	37.1
② M3B3550H HQ4020	5	3.5~5.5	-10~60	10500	0.19	0.97	2.42	68.53	253	25.8	33.9
③ M3B3550H HQ4030	5	3.5~5.5	-10~60	9500	0.14	0.69	2.19	62.00	207	21.1	31.7

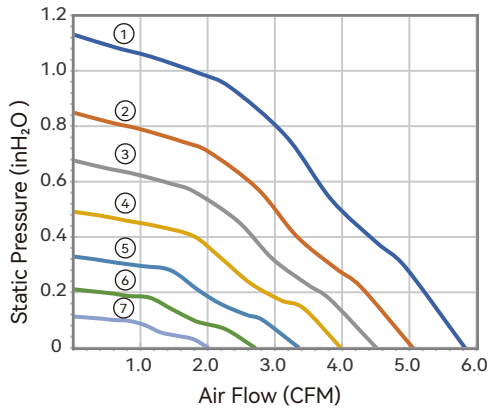
Notes: Specifications are subject to change without notice. Please refer to the product data sheet provided by our sales.
<https://www.i-hzlw.com>

50X50X15 mm

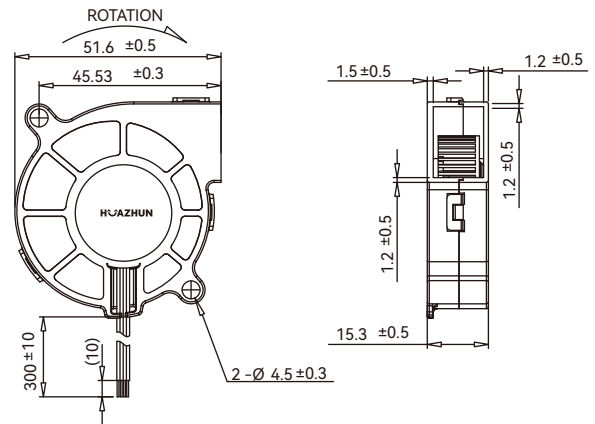


- Housing: Plastic (UL 94V-0)
- Impeller: Plastic (UL 94V-0)
- Bearing: Ball bearings
- Control Options: +/-/FG/PWM
- Weight: 26 g

■ Air Flow-Static Pressure Characteristics



■ Dimensions Drawing (mm)



Model No.	Rated Voltage VDC	Operating Voltage Range VDC	Operating Temp. °C	Speed RPM	Input Current Amp	Input Power Watts	Maximum Air Flow		Maximum Air Pressure		Noise @1M dB(A)
							CFM	m ³ /min	inH ₂ O	mmH ₂ O	
① B150150M B40N10N0	5	4.5~6	-10~70	7500	1.054	5.27	5.8	0.17	1.17	28.7	46.5
② B150150M B40N20N0	5	4.5~6	-10~70	6500	0.686	3.43	5.1	0.14	0.88	21.6	44.0
③ B150150M B40N30N0	5	4.5~6	-10~70	5800	0.460	2.30	4.5	0.13	0.70	17.2	40.3
④ B150150M B40N40N0	5	4.5~6	-10~70	5200	0.400	2.00	4.0	0.11	0.51	12.5	37.9
⑤ B150150M B40N50N0	5	4.5~6	-10~70	4500	0.302	1.51	3.3	0.09	0.34	8.4	34.8
⑥ B150150M B40N60N0	5	4.5~6	-10~70	3800	0.218	1.09	2.7	0.08	0.22	5.4	31.1
⑦ B150150M B40N70N0	5	4.5~6	-10~70	3000	0.146	0.73	2.0	0.06	0.12	2.9	26.0
① B150151M B40N10N0	12	6~13.8	-10~70	7500	0.439	5.27	5.8	0.17	1.17	28.7	46.5
② B150151M B40N20N0	12	6~13.8	-10~70	6500	0.286	3.43	5.1	0.14	0.88	21.6	44.0
③ B150151M B40N30N0	12	6~13.8	-10~70	5800	0.192	2.30	4.5	0.13	0.70	17.2	40.3
④ B150151M B40N40N0	12	6~13.8	-10~70	5200	0.167	2.00	4.0	0.11	0.51	12.5	37.9
⑤ B150151M B40N50N0	12	6~13.8	-10~70	4500	0.126	1.51	3.3	0.09	0.34	8.4	34.8
② B150152M B40N20N0	24	14~27.6	-10~70	6500	0.143	3.43	5.1	0.14	0.88	21.6	44.0
③ B150152M B40N30N0	24	14~27.6	-10~70	5800	0.096	2.30	4.5	0.13	0.70	17.2	40.3
④ B150152M B40N40N0	24	14~27.6	-10~70	5200	0.083	2.00	4.0	0.11	0.51	12.5	37.9

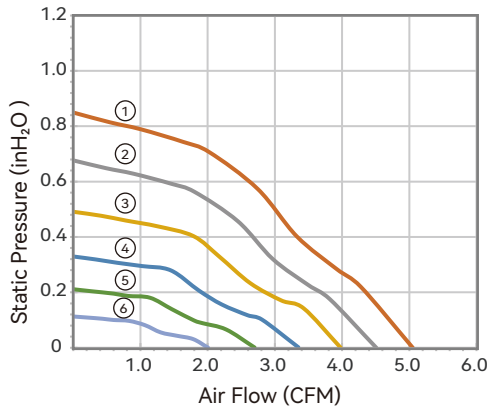
Notes: Specifications are subject to change without notice. Please refer to the product data sheet provided by our sales.
<https://www.i-hzlw.com>

50X50X15 mm

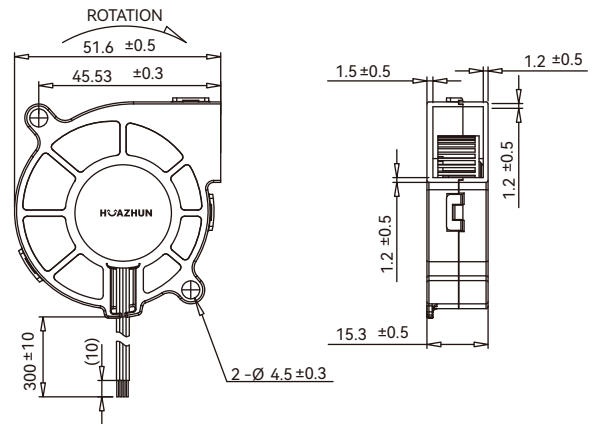


- Housing: Plastic (UL 94V-0)
- Impeller: Plastic (UL 94V-0)
- Bearing: Hydraulic bearings
- Control Options: +/-/FG/PWM
- Weight: 26 g

■ Air Flow-Static Pressure Characteristics



■ Dimensions Drawing (mm)



Model No.	Rated Voltage VDC	Operating Voltage Range VDC	Operating Temp. °C	Speed RPM	Input Current Amp	Input Power Watts	Maximum Air Flow		Maximum Air Pressure		Noise @1M dB(A)
							CFM	m ³ /min	inH ₂ O	mmH ₂ O	
① B150150M H40N20N0	5	4.5~6	-10~70	6500	0.686	3.43	5.1	0.14	0.88	21.6	43.8
② B150150M H40N30N0	5	4.5~6	-10~70	5800	0.460	2.30	4.5	0.13	0.70	17.2	39.8
③ B150150M H40N40N0	5	4.5~6	-10~70	5200	0.400	2.00	4.0	0.11	0.51	12.5	37.4
④ B150150M H40N50N0	5	4.5~6	-10~70	4500	0.302	1.51	3.3	0.09	0.34	8.4	34.3
⑤ B150150M H40N60N0	5	4.5~6	-10~70	3800	0.218	1.09	2.7	0.08	0.22	5.4	30.6
⑥ B150150M H40N70N0	5	4.5~6	-10~70	3000	0.400	0.73	2.0	0.06	0.12	2.9	25.5
① B150151M H40N20N0	12	6~13.8	-10~70	6500	0.286	3.43	5.1	0.14	0.88	21.6	43.8
② B150151M H40N30N0	12	6~13.8	-10~70	5800	0.192	2.30	4.5	0.13	0.70	17.2	39.8
③ B150151M H40N40N0	12	6~13.8	-10~70	5200	0.167	2.00	4.0	0.11	0.51	12.5	37.4
④ B150151M H40N50N0	12	6~13.8	-10~70	4500	0.126	1.51	3.3	0.09	0.34	8.4	34.3
① B150152M H40N20N0	24	14~27.6	-10~70	6500	0.143	3.43	5.1	0.14	0.88	21.6	43.8
② B150152M H40N30N0	24	14~27.6	-10~70	5800	0.096	2.30	4.5	0.13	0.70	17.2	39.8
③ B150152M H40N40N0	24	14~27.6	-10~70	5200	0.083	2.00	4.0	0.11	0.51	12.5	37.4

Notes: Specifications are subject to change without notice. Please refer to the product data sheet provided by our sales.
<https://www.i-hzlw.com>



HUAZHUN®

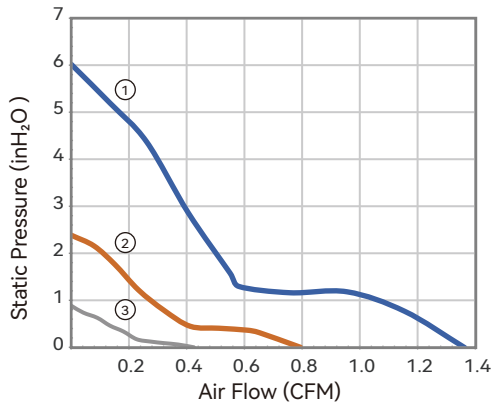
**DC Brushless
AXIAL FAN**

20X20X6 mm

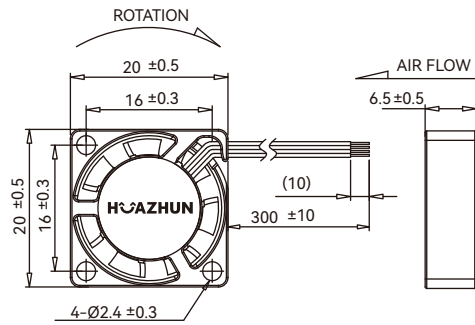


- Housing: Plastic (UL 94V-0)
- Impeller: Plastic (UL 94V-0)
- Bearing: Hydraulic bearings
- Control Options: +/-/FG/PWM
- Weight: 3 g

■ Air Flow-Static Pressure Characteristics



■ Dimensions Drawing (mm)



Model No.	Rated Voltage VDC	Operating Voltage Range VDC	Operating Temp. °C	Speed RPM	Input Current Amp	Input Power Watts	Maximum Air Flow		Maximum Air Pressure		Noise @1M dB(A)
							CFM	m ³ /min	Pa	mmH ₂ O	
① A120060M H40N10N0	5	3.5~5.5	-10~60	15500	0.07	0.37	1.36	0.04	59.0	6.02	26.9
② A120060M H40N20N0	5	3.5~5.5	-10~60	10000	0.03	0.17	0.79	0.02	23.4	2.38	18.9
③ A120060M H40N30N0	5	3.5~5.5	-10~60	6200	0.02	0.09	0.43	0.01	8.7	0.88	17.3

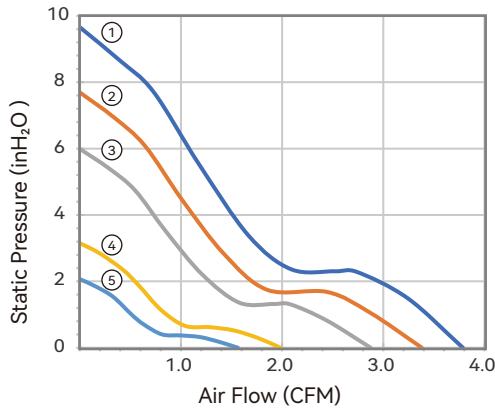
Notes: Specifications are subject to change without notice. Please refer to the product data sheet provided by our sales.
<https://www.i-hzlw.com>

25X25X10 mm

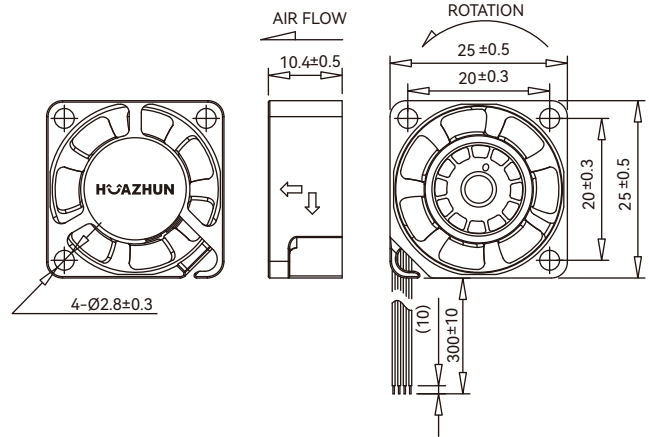


- Housing: Plastic (UL 94V-0)
- Impeller: Plastic (UL 94V-0)
- Bearing: Hydraulic bearings
- Control Options: +/-/FG/PWM
- Weight: 7.7 g

■ Air Flow-Static Pressure Characteristics



■ Dimensions Drawing(mm)



Model No.	Rated Voltage VDC	Operating Voltage Range VDC	Operating Temp. °C	Speed RPM	Input Current Amp	Input Power Watts	Maximum Air Flow		Maximum Air Pressure		Noise @1M dB(A)
							CFM	m ³ /min	inH ₂ O	mmH ₂ O	
① A125100M H40N10N0	5	3.5~5.5	-10~70	14000	0.178	0.89	3.78	0.11	0.38	9.66	31.4
② A125100M H40N20N0	5	3.5~5.5	-10~70	12500	0.126	0.63	3.27	0.09	0.30	7.74	27.5
③ A125100M H40N30N0	5	3.5~5.5	-10~70	11000	0.111	0.55	2.87	0.08	0.24	5.99	25.4
④ A125100M H40N40N0	5	3.5~5.5	-10~70	8000	0.062	0.31	1.98	0.06	0.12	3.16	19.4
⑤ A125100M H40N50N0	5	3.5~5.5	-10~70	6500	0.049	0.24	1.56	0.04	0.08	2.07	16.7
① A125101M H40N10N0	12	7~13.8	-10~70	14000	0.074	0.89	3.78	0.11	0.38	9.66	31.4
② A125101M H40N20N0	12	7~13.8	-10~70	12500	0.053	0.63	3.27	0.09	0.30	7.74	27.5
③ A125101M H40N30N0	12	7~13.8	-10~70	11000	0.046	0.55	2.87	0.08	0.24	5.99	25.4
④ A125101M H40N40N0	12	7~13.8	-10~70	8000	0.026	0.31	1.98	0.06	0.12	3.16	19.4
⑤ A125101M H40N50N0	12	7~13.8	-10~70	6500	0.020	0.24	1.56	0.04	0.08	2.07	16.7

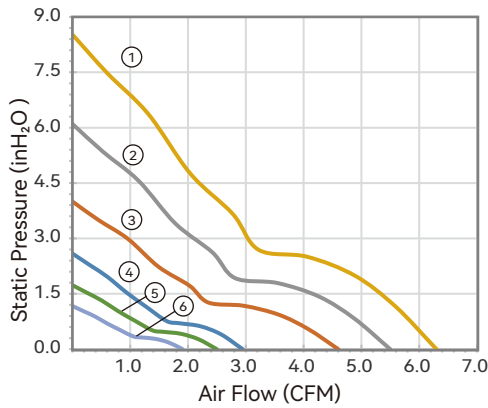
Notes: Specifications are subject to change without notice. Please refer to the product data sheet provided by our sales.
<https://www.i-hzlw.com>

30X30X10 mm

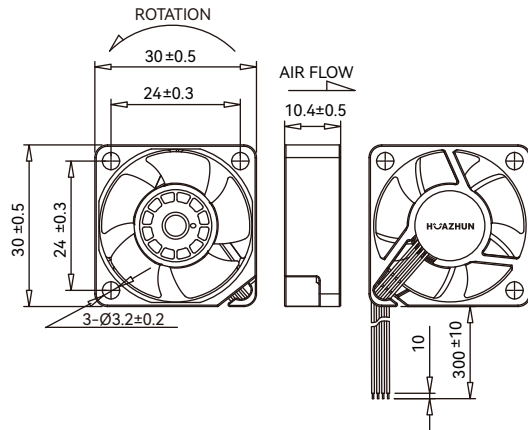


- Housing: Plastic (UL 94V-0)
- Impeller: Plastic (UL 94V-0)
- Bearing: Hydraulic bearings
- Control Options: +/-/FG/PWM
- Weight: 8 g

■ Air Flow-Static Pressure Characteristics



■ Dimensions Drawing (mm)



Model No.	Rated Voltage VDC	Operating Voltage Range VDC	Operating Temp. °C	Speed RPM	Input Current Amp	Input Power Watts	Maximum Air Flow		Maximum Air Pressure		Noise @1M dB(A)
							CFM	m ³ /min	inH ₂ O	mmH ₂ O	
① A130100M H40N00N0	5	3.5~5.5	-10~70	13000	0.240	1.20	6.30	0.18	0.34	8.52	29.0
② A130100M H40N10N0	5	3.5~5.5	-10~70	11000	0.144	0.72	5.50	0.16	0.24	6.10	23.0
③ A130100M H40N20N0	5	3.5~5.5	-10~70	8600	0.120	0.60	4.65	0.13	0.16	4.00	20.0
④ A130100M H40N30N0	5	3.5~5.5	-10~70	6900	0.091	0.46	2.95	0.08	0.10	2.59	18.2
⑤ A130100M H40N40N0	5	3.5~5.5	-10~70	5700	0.077	0.38	2.50	0.07	0.07	1.73	16.8
⑥ A130100M H40N50N0	5	3.5~5.5	-10~70	4500	0.065	0.32	1.91	0.05	0.05	1.17	10.5
① A130101M HO4000	12	7~13.8	-10~70	13000	0.100	1.20	6.30	0.18	0.34	8.52	29.0
② A130101M HO4010	12	7~13.8	-10~70	11000	0.060	0.72	5.50	0.16	0.24	6.10	23.0
③ A130101M HO4020	12	7~13.8	-10~70	8600	0.050	0.60	4.65	0.13	0.16	4.00	20.0
④ A130101M HO4030	12	7~13.8	-10~70	6900	0.038	0.46	2.95	0.08	0.10	2.59	18.2
⑤ A130101M HO4040	12	7~13.8	-10~70	5700	0.032	0.38	2.50	0.07	0.07	1.73	16.8
⑥ A130101M HO4050	12	7~13.8	-10~70	4500	0.027	0.32	1.91	0.05	0.05	1.17	10.5

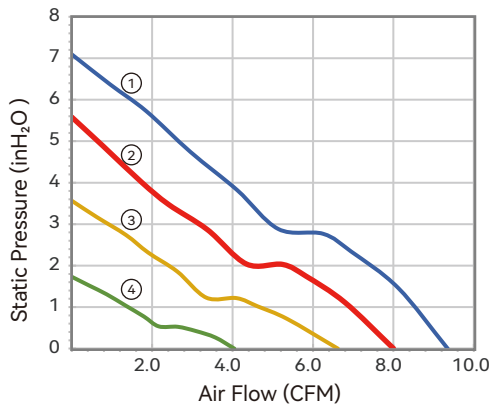
Notes: Specifications are subject to change without notice. Please refer to the product data sheet provided by our sales.
<https://www.i-hzlw.com>

35X35X10 mm

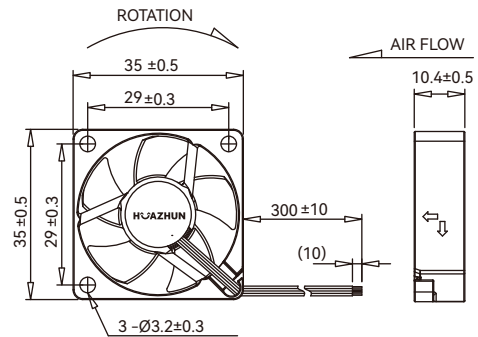


- Housing: Plastic (UL 94V-0)
- Impeller: Plastic (UL 94V-0)
- Bearing: Hydraulic bearings
- Control Options: +/-/FG/PWM
- Weight: 10 g

■ Air Flow-Static Pressure Characteristics



■ Dimensions Drawing (mm)



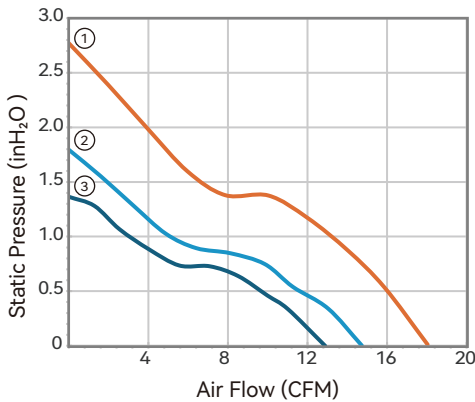
Model No.	Rated Voltage VDC	Operating Voltage Range VDC	Operating Temp. °C	Speed RPM	Input Current Amp	Input Power Watts	Maximum Air Flow		Maximum Air Pressure		Noise @1M dB(A)
							CFM	m ³ /min	inH ₂ O	mmH ₂ O	
② A135100M H40N30N0	5	4~5.5	-10~70	9500	0.233	1.16	8.01	0.23	0.22	5.58	28.0
③ A135100M H40N40N0	5	4~5.5	-10~70	7500	0.140	0.70	6.62	0.19	0.14	3.57	21.9
④ A135100M H40N50N0	5	4~5.5	-10~70	5000	0.060	0.30	4.04	0.11	0.07	1.73	15.9
① A135101M H40N20N0	12	7~13.8	-10~70	11000	0.130	1.56	9.35	0.26	0.28	7.09	32.1
② A135101M H40N30N0	12	7~13.8	-10~70	9500	0.097	1.16	8.01	0.23	0.22	5.58	28.0
③ A135101M H40N40N0	12	7~13.8	-10~70	7500	0.058	0.70	6.62	0.19	0.14	3.57	21.9
④ A135101M H40N50N0	12	7~13.8	-10~70	5000	0.025	0.30	4.04	0.11	0.07	1.73	15.9
① A135102M H40N20N0	24	14~27.6	-10~70	11000	0.065	1.56	9.35	0.26	0.28	7.09	32.1
② A135102M H40N30N0	24	14~27.6	-10~70	9000	0.035	0.85	7.59	0.21	0.20	5.01	27.1
③ A135102M H40N40N0	24	14~27.6	-10~70	7000	0.024	0.58	5.76	0.16	0.12	3.14	21.0
④ A135102M H40N50N0	24	14~27.6	-10~70	5000	0.013	0.30	4.04	0.11	0.07	1.73	15.9

Notes: Specifications are subject to change without notice. Please refer to the product data sheet provided by our sales.
<https://www.i-hzlw.com>

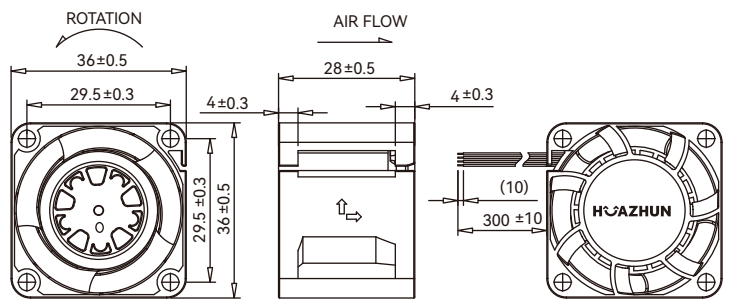


- Housing: Plastic (UL 94V-0)
- Impeller: Plastic (UL 94V-0)
- Bearing: Ball bearings
- Control Options: +/-/FG/PWM
- Lead Wires : UL10368 AWG26 OR Equivalent

■ Air Flow-Static Pressure Characteristics



■ Dimensions Drawing (mm)



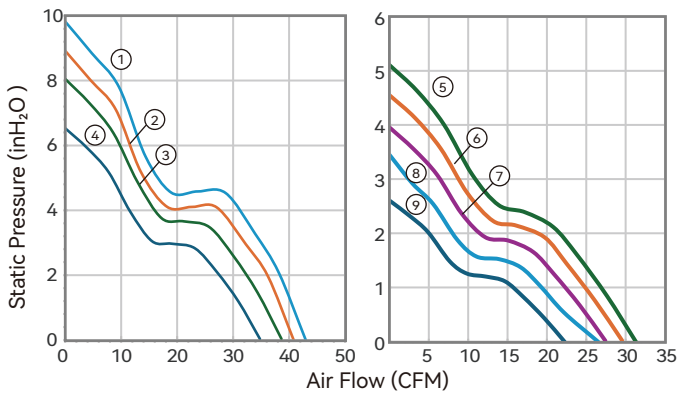
Model No.	Rated Voltage VDC	Operating Voltage Range VDC	Operating Temp. °C	Speed RPM	Input Current Amp	Input Power Watts	Maximum Air Flow		Maximum Air Pressure		Noise @1M dB(A)
							CFM	m ³ /min	inH ₂ O	mmH ₂ O	
① A136281MBM 4060L0	12	10.8~13.2	-10~70	22500	0.56	6.73	18.04	0.51	2.77	70.37	57.7
② A136281MBM 4080L0	12	10.8~13.2	-10~70	18000	0.32	3.79	14.73	0.42	1.80	45.61	54.7
③ A136281MBM 4090L0	12	10.8~13.2	-10~70	16500	0.29	3.47	12.88	0.37	1.36	34.65	51.0

Notes: Specifications are subject to change without notice. Please refer to the product data sheet provided by our sales.
<https://www.i-hzlw.com>

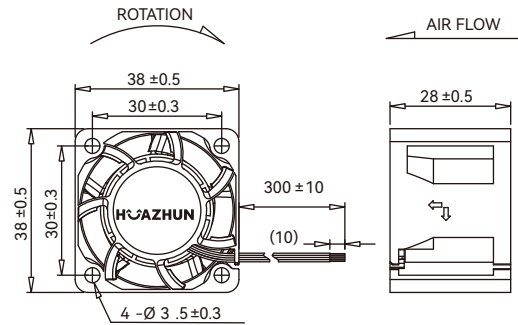


- Housing: Plastic (UL 94V-0)
- Impeller: Plastic (UL 94V-0)
- Bearing: Ball bearings
- Control Options: +/-/FG/PWM
- Lead Wires : UL10368 AWG26 OR Equivalent

■ Air Flow-Static Pressure Characteristics



■ Dimensions Drawing (mm)



Model No.	Rated Voltage VDC	Operating Voltage Range VDC	Operating Temp. °C	Speed RPM	Input Current Amp	Input Power Watts	Maximum Air Flow		Maximum Air Pressure		Noise @1M dB(A)	
							CFM	m ³ /min	inH ₂ O	mmH ₂ O		
① A338281HB	40N20L0	12	10.8~13.2	-10~70	40000	3.89	46.65	43.0	1.22	9.82	249.4	70.5
② A338281HB	40N40L0	12	10.8~13.2	-10~70	38000	3.37	40.41	40.8	1.16	8.92	226.5	69.4
③ A338281HB	40N60L0	12	10.8~13.2	-10~70	36500	3.08	36.90	38.6	1.09	8.05	204.5	68.5
④ A338281HB	40N80L0	12	10.8~13.2	-10~70	33000	2.28	27.30	34.8	0.99	6.53	165.9	67.6
⑤ A138281MBM	4L40N0	12	10.8~13.2	-10~70	29000	1.99	23.93	31.3	0.89	5.11	129.7	64.8
⑥ A138281MBM	4L60N0	12	10.8~13.2	-10~70	27500	1.70	20.38	29.5	0.84	4.55	115.6	63.5
⑦ A138281MBM	4L70N0	12	10.8~13.2	-10~70	25700	1.37	16.46	27.4	0.78	3.96	100.5	62.2
⑧ A138281MBM	4L80N0	12	10.8~13.2	-10~70	24000	1.12	13.40	26.5	0.75	3.45	87.6	60.7
⑨ A138281MBM	4L90N0	12	10.8~13.2	-10~70	21000	0.80	9.57	22.2	0.63	2.61	66.2	59.2

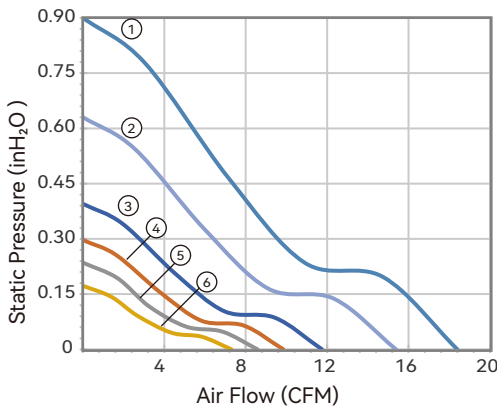
Notes: Specifications are subject to change without notice. Please refer to the product data sheet provided by our sales.
<https://www.i-hzlw.com>

40X40X10 mm

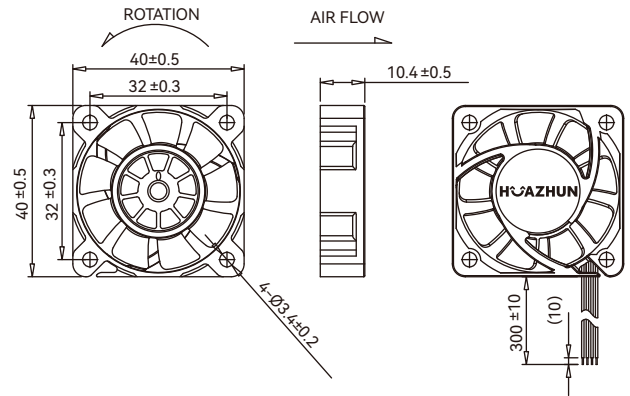


- Housing: Plastic (UL 94V-0)
- Impeller: Plastic (UL 94V-0)
- Bearing: Ball bearings
- Control Options: +/-/FG/PWM
- Weight: 16 g

■ Air Flow-Static Pressure Characteristics



■ Dimensions Drawing (mm)



Model No.	Rated Voltage VDC	Operating Voltage Range VDC	Operating Temp. °C	Speed RPM	Input Current Amp	Input Power Watts	Maximum Air Flow		Maximum Air Pressure		Noise @1M dB(A)
							CFM	m ³ /min	inH ₂ O	mmH ₂ O	
① A140100M BO4010N0	5	3.5~5.5	-10~70	15000	1.107	5.53	18.40	0.52	0.90	22.90	47.9
② A140100M BO4020N0	5	3.5~5.5	-10~70	12000	0.540	2.70	15.40	0.44	0.63	16.00	44.1
③ A140100M BO4030N0	5	3.5~5.5	-10~70	9500	0.276	1.38	11.70	0.31	0.40	10.00	40.8
④ A140100M BO4040N0	5	3.5~5.5	-10~70	8000	0.204	1.02	9.80	0.28	0.30	7.50	36.4
⑤ A140100M BO4050N0	5	3.5~5.5	-10~70	7000	0.149	0.74	8.60	0.24	0.24	6.00	32.1
⑥ A140100M BO4060N0	5	3.5~5.5	-10~70	6000	0.115	0.58	7.30	0.21	0.17	4.40	28.6
① A140101M BO4010	12	7~13.8	-10~70	15000	0.461	5.53	18.40	0.52	0.90	22.90	47.9
② A140101M BO4020	12	7~13.8	-10~70	12000	0.225	2.70	15.40	0.44	0.63	16.00	44.1
③ A140101M BO4030	12	7~13.8	-10~70	9500	0.115	1.38	11.70	0.33	0.40	10.00	40.8
④ A140101M BO4040	12	7~13.8	-10~70	8000	0.085	1.02	9.80	0.28	0.30	7.50	36.4
⑤ A140101M BO4050	12	7~13.8	-10~70	7000	0.062	0.74	8.60	0.24	0.24	6.00	32.1
⑥ A140101M BO4060	12	7~13.8	-10~70	6000	0.048	0.58	7.30	0.21	0.17	4.40	28.6

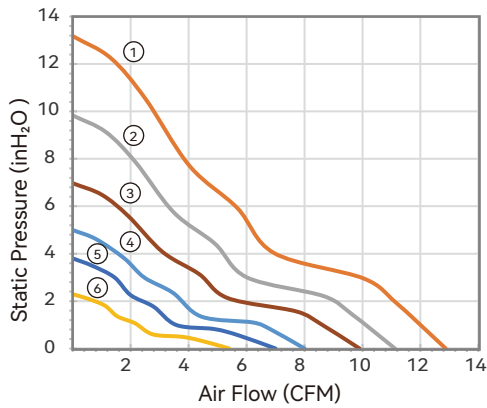
Notes: Specifications are subject to change without notice. Please refer to the product data sheet provided by our sales.
<https://www.i-hzlw.com>

40X40X10 mm

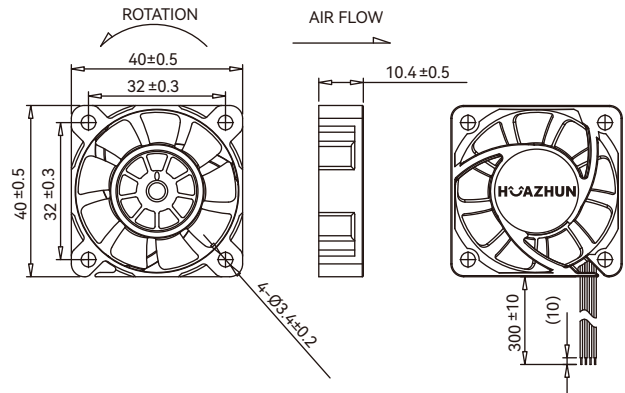


- Housing: Plastic (UL 94V-0)
- Impeller: Plastic (UL 94V-0)
- Bearing: Hydraulic bearings
- Control Options: +/-/FG/PWM
- Weight: 15.1 g

■ Air Flow-Static Pressure Characteristics



■ Dimensions Drawing (mm)



Model No.	Rated Voltage VDC	Operating Voltage Range VDC	Operating Temp. °C	Speed RPM	Input Current Amp	Input Power Watts	Maximum Air Flow		Maximum Air Pressure		Noise @1M dB(A)
							CFM	m ³ /min	inH ₂ O	mmH ₂ O	
① A140100M HO4000N0	5	3.5~5.5	-10~70	11000	0.427	2.14	12.90	0.36	0.52	13.18	41.9
② A140100M HO4010N0	5	3.5~5.5	-10~70	9500	0.276	1.38	11.10	0.31	0.39	9.83	38.7
③ A140100M HO4020N0	5	3.5~5.5	-10~70	8000	0.200	1.00	9.90	0.28	0.27	6.97	33.5
④ A140100M HO4030N0	5	3.5~5.5	-10~70	6700	0.124	0.62	8.00	0.23	0.20	5.00	29.3
⑤ A140100M HO4040N0	5	3.5~5.5	-10~70	5800	0.096	0.48	7.00	0.20	0.15	3.80	25.2
⑥ A140100M HO4050N0	5	3.5~5.5	-10~70	4500	0.076	0.38	5.40	0.15	0.09	2.29	21.6
① A140101M HO4000	12	7~13.8	-10~70	11000	0.178	2.14	12.90	0.36	0.52	13.18	41.9
② A140101M HO4010	12	7~13.8	-10~70	9500	0.115	1.38	11.10	0.31	0.39	9.83	38.7
③ A140101M HO4020	12	7~13.8	-10~70	8000	0.083	1.00	9.90	0.28	0.27	6.97	33.5
④ A140101M HO4030	12	7~13.8	-10~70	6700	0.052	0.62	8.00	0.23	0.20	5.00	29.3
⑤ A140101M HO4040	12	7~13.8	-10~70	5800	0.040	0.48	7.00	0.20	0.15	3.80	25.2
⑥ A140101M HO4050	12	7~13.8	-10~70	4500	0.032	0.38	5.40	0.15	0.09	2.29	21.6

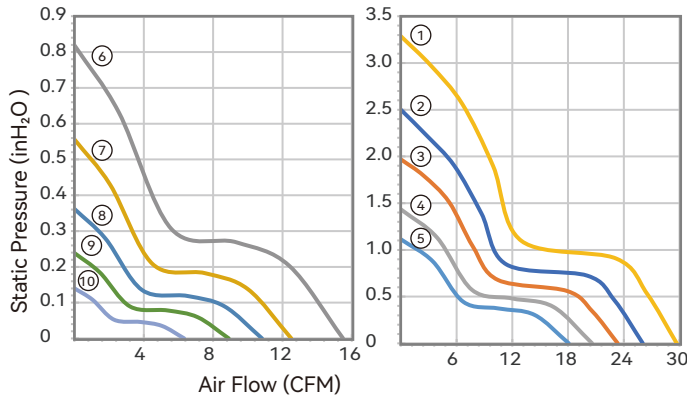
Notes: Specifications are subject to change without notice. Please refer to the product data sheet provided by our sales.
<https://www.i-hzlw.com>

40X40X20 mm

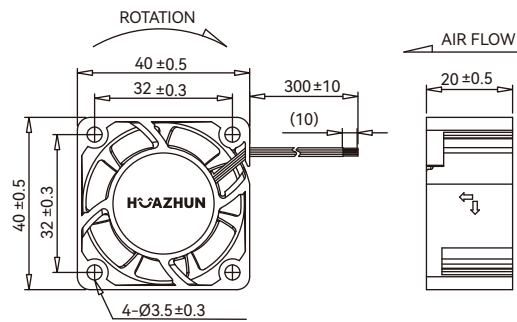


- Housing: Plastic (UL 94V-0)
- Impeller: Plastic (UL 94V-0)
- Bearing: Ball bearings
- Control Options: +/-/FG/PWM
- Weight: 38.1 g

■ Air Flow-Static Pressure Characteristics



■ Dimensions drawing (mm)



Model No.	Rated Voltage VDC	Operating Voltage Range VDC	Operating Temp. °C	Speed RPM	Input Current Amp	Input Power Watts	Maximum Air Flow		Maximum Air Pressure		Noise @1M dB(A)
							CFM	m ³ /min	inH ₂ O	mmH ₂ O	
④ A140200M B40N00N0	5	3.5~5.5	-10~70	16000	1.104	5.5	20.60	0.58	1.43	36.40	52.4
⑤ A140200M B40N10N0	5	3.5~5.5	-10~70	14000	0.672	3.4	18.10	0.51	1.11	28.30	49.0
⑥ A140200M B40N20N0	5	3.5~5.5	-10~70	12000	0.468	2.3	15.50	0.44	0.82	20.80	45.7
⑦ A140200M B40N30N0	5	3.5~5.5	-10~70	10000	0.336	1.7	12.50	0.35	0.56	14.10	39.7
⑧ A140200M B40N40N0	5	3.5~5.5	-10~70	8000	0.180	0.9	10.80	0.31	0.36	9.20	33.4
⑨ A140200M B40N50N0	5	3.5~5.5	-10~70	6500	0.125	0.6	8.90	0.25	0.24	6.10	27.8
⑩ A140200M B40N60N0	5	3.5~5.5	-10~70	5000	0.072	0.4	6.30	0.18	0.14	3.50	23.7
① A140201H BO4010	12	6~13.8	-10~70	23000	1.450	17.4	29.70	0.84	3.29	83.50	59.9
② A140201H BO4020	12	6~13.8	-10~70	20000	0.810	9.7	26.00	0.74	2.50	63.50	56.4
③ A140201H BO4030	12	6~13.8	-10~70	18000	0.620	7.4	23.30	0.66	1.97	50.00	54.2
④ A140201M BO4000	12	6~13.8	-10~70	16000	0.460	5.5	20.60	0.58	1.43	36.40	52.4
⑤ A140201M BO4010	12	6~13.8	-10~70	14000	0.280	3.4	18.10	0.51	1.11	28.30	49.0
⑥ A140201M BO4020	12	6~13.8	-10~70	12000	0.195	2.3	15.50	0.44	0.82	20.80	45.7
⑦ A140201M BO4030	12	6~13.8	-10~70	10000	0.140	1.7	12.50	0.35	0.56	14.10	39.7
⑧ A140201M BO4040	12	6~13.8	-10~70	8000	0.075	0.9	10.80	0.31	0.36	9.20	33.4
⑨ A140201M BO4050	12	6~13.8	-10~70	6500	0.052	0.6	8.90	0.25	0.24	6.10	27.8
⑩ A140201M BO4060	12	6~13.8	-10~70	5000	0.030	0.4	6.30	0.18	0.14	3.50	23.7

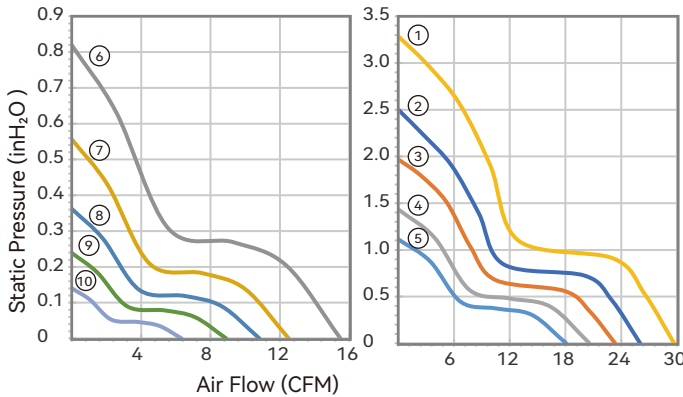
Notes: Specifications are subject to change without notice. Please refer to the product data sheet provided by our sales.
<https://www.i-hzlw.com>

40X40X20 mm

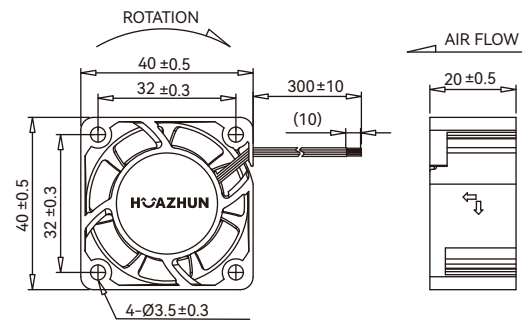


- Housing: Plastic (UL 94V-0)
- Impeller: Plastic (UL 94V-0)
- Bearing: Ball bearings
- Control Options: +/-/FG/PWM
- Weight: 38.1 g

■ Air Flow-Static Pressure Characteristics



■ Dimensions drawing (mm)



Model No.	Rated Voltage VDC	Operating Voltage Range VDC	Operating Temp. °C	Speed RPM	Input Current Amp	Input Power Watts	Maximum Air Flow		Maximum Air Pressure		Noise @1M dB(A)
							CFM	m ³ /min	inH ₂ O	mmH ₂ O	
① A140202M B40N00N0	24	14~27.6	-10~70	23000	0.725	17.4	29.70	0.84	3.29	83.50	59.9
② A140202M B40N10N0	24	14~27.6	-10~70	20000	0.405	9.7	26.00	0.74	2.50	63.50	56.4
③ A140202M B40N20N0	24	14~27.6	-10~70	18000	0.310	7.4	23.30	0.66	1.97	50.00	54.2
④ A140202M B40N30N0	24	14~27.6	-10~70	16000	0.230	5.5	20.60	0.58	1.43	36.40	52.4
⑤ A140202M B40N40N0	24	14~27.6	-10~70	14000	0.140	3.4	18.10	0.51	1.11	28.30	49.0
⑥ A140202M B40N50N0	24	14~27.6	-10~70	12000	0.098	2.3	15.50	0.44	0.82	20.80	45.7
⑦ A140202M B40N60N0	24	14~27.6	-10~70	10000	0.070	1.7	12.50	0.35	0.56	14.10	39.7
⑧ A140202M B40N70N0	24	14~27.6	-10~70	8000	0.038	0.9	10.80	0.31	0.36	9.20	33.4
⑨ A140202M B40N80N0	24	14~27.6	-10~70	6500	0.026	0.6	8.90	0.25	0.24	6.10	27.8
⑩ A140202M B40N90N0	24	14~27.6	-10~70	5000	0.015	0.4	6.30	0.18	0.14	3.50	23.7

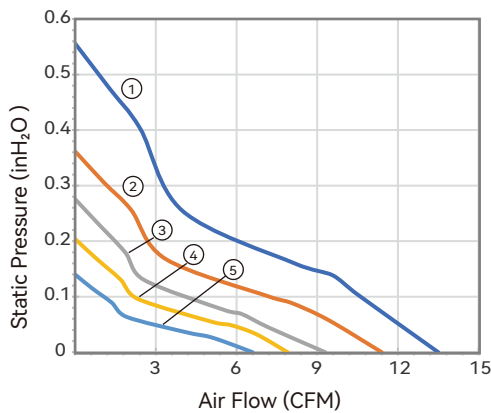
Notes: Specifications are subject to change without notice. Please refer to the product data sheet provided by our sales.
<https://www.i-hzlw.com>

40X40X20 mm

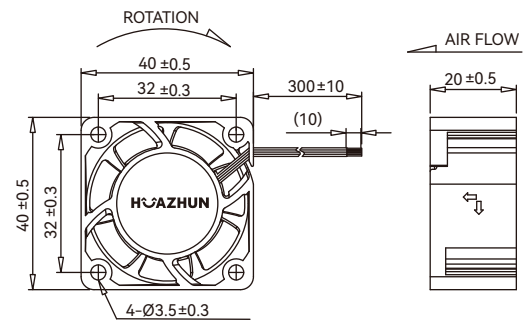


- Housing: Plastic (UL 94V-0)
- Impeller: Plastic (UL 94V-0)
- Bearing: Hydraulic bearings
- Control Options: +/-/FG/PWM
- Weight: 36.8 g

■ Air Flow-Static Pressure Characteristics



■ Dimensions drawing (mm)



Model No.	Rated Voltage VDC	Operating Voltage Range VDC	Operating Temp. °C	Speed RPM	Input Current Amp	Input Power Watts	Maximum Air Flow		Maximum Air Pressure		Noise @1M dB(A)
							CFM	m ³ /min	inH ₂ O	mmH ₂ O	
② A140200M H40N40N0	5	3.5~6	-10~70	8000	0.408	2.04	11.4	0.323	0.36	9.2	33.6
③ A140200M H40N50N0	5	3.5~6	-10~70	7000	0.336	1.68	9.3	0.271	0.28	7.0	29.5
④ A140200M H40N60N0	5	3.5~6	-10~70	6000	0.300	1.50	7.9	0.232	0.20	5.2	24.9
⑤ A140200M H40N70N0	5	3.5~6	-10~70	5000	0.204	1.02	6.6	0.194	0.14	3.5	19.5
① A140201M HO4030	12	6~13.8	-10~70	10000	0.322	3.87	13.5	0.383	0.56	14.1	39.5
② A140201M HO4040	12	6~13.8	-10~70	8000	0.170	2.04	11.4	0.323	0.36	9.2	33.6
③ A140201M HO4050	12	6~13.8	-10~70	7000	0.140	1.68	9.3	0.271	0.28	7.0	29.5
④ A140201M HO4060	12	6~13.8	-10~70	6000	0.125	1.50	7.9	0.232	0.20	5.2	24.9
⑤ A140201M HO4070	12	6~13.8	-10~70	5000	0.085	1.02	6.6	0.194	0.14	3.5	19.5
① A140202M H40N30N0	24	14~27.6	-10~70	10000	0.161	3.87	13.5	0.383	0.56	14.1	39.5
② A140202M H40N40N0	24	14~27.6	-10~70	8000	0.085	2.04	11.4	0.323	0.36	9.2	33.6
③ A140202M H40N50N0	24	14~27.6	-10~70	7000	0.070	1.68	9.3	0.271	0.28	7.0	29.5
④ A140202M H40N60N0	24	14~27.6	-10~70	6000	0.063	1.50	7.9	0.232	0.20	5.2	24.9
⑤ A140202M H40N70N0	24	14~27.6	-10~70	5000	0.043	1.02	6.6	0.194	0.14	3.5	19.5

Notes: Specifications are subject to change without notice. Please refer to the product data sheet provided by our sales.
<https://www.i-hzlw.com>

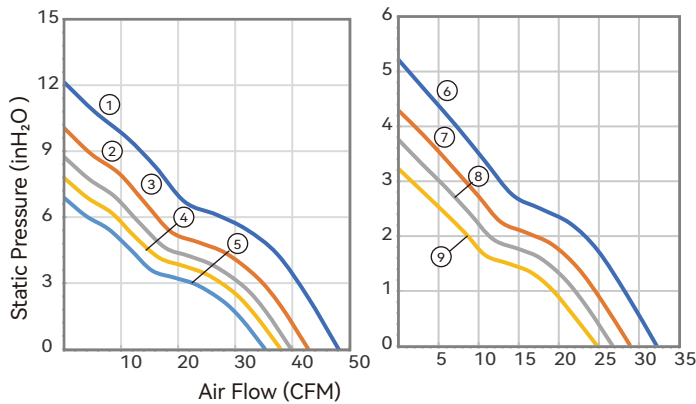
40X40X28 mm

High Efficiency

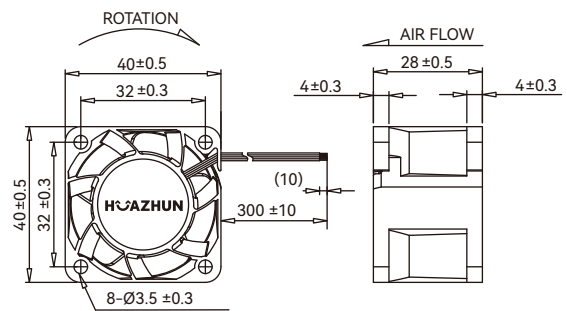


- Housing: Plastic (UL 94V-0)
- Impeller: Plastic (UL 94V-0)
- Bearing: Ball bearings
- Control Options: +/-/FG/PWM
- Lead Wires : UL10368 AWG26 OR Equivalent

■ Air Flow-Static Pressure Characteristics



■ Dimensions drawing (mm)



Model No.	Rated Voltage VDC	Operating Voltage Range VDC	Operating Temp. °C	Speed RPM	Input Current Amp	Input Power Watts	Maximum Air Flow		Maximum Air Pressure		Noise @1M dB(A)
							CFM	m ³ /min	inH ₂ O	mmH ₂ O	
① A340281S BP4T00	12	10~13.2	-10~70	45000	3.99	47.8	48.1	1.36	12.1	308	70.5
② A340281S BP4T10	12	10~13.2	-10~70	40000	2.97	35.6	42.7	1.21	10.1	255	68.9
③ A340281S BP4T20	12	10~13.2	-10~70	37500	2.42	29.1	39.7	1.13	8.7	222	67.8
④ A340281S BP4T40	12	10~13.2	-10~70	35500	2.13	25.6	37.9	1.07	7.8	198	66.7
⑤ A340281S BP4T60	12	10~13.2	-10~70	33000	1.74	20.9	35.2	1.00	6.9	175	64.5
⑥ A140281MBM 4050T0	12	10~13.2	-10~70	30000	1.30	15.6	32.2	0.91	5.2	132	62.8
⑦ A140281MBM 4060T0	12	10~13.2	-10~70	27000	0.96	11.5	28.8	0.82	4.3	109	60.0
⑧ A140281MBM 4070T0	12	10~13.2	-10~70	25000	0.78	9.4	26.7	0.76	3.8	95	59.0
⑨ A140281MBM 4080T0	12	10~13.2	-10~70	23000	0.61	7.3	24.8	0.70	3.2	82	57.5
① A340284S B40N10T0	48	40.8~55.2	-10~70	45000	1.00	47.8	48.1	1.36	12.1	308	70.5
② A340284S B40N20T0	48	40.8~55.2	-10~70	40000	0.74	35.6	42.7	1.21	10.1	255	68.9
③ A340284S B40N30T0	48	40.8~55.2	-10~70	37500	0.61	29.1	39.7	1.13	8.7	222	67.8
④ A340284S B40N40T0	48	40.8~55.2	-10~70	35500	0.53	25.6	37.9	1.07	7.8	198	66.7
⑤ A340284S B40N60T0	48	40.8~55.2	-10~70	33000	0.44	20.9	35.2	1.00	6.9	175	64.5

Notes: Specifications are subject to change without notice. Please refer to the product data sheet provided by our sales.
<https://www.i-hzlw.com>

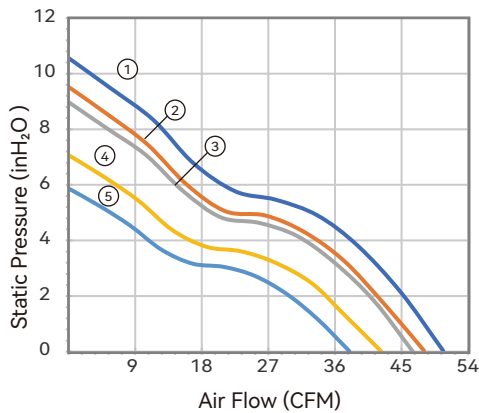
40X40X28 mm

High PQ

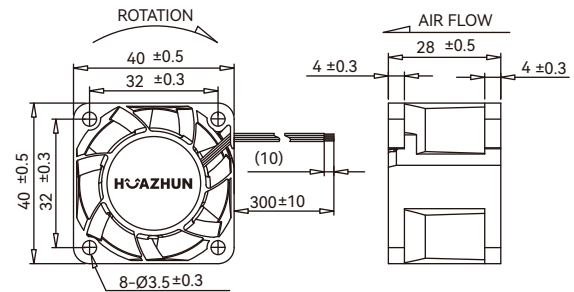


- Housing: Plastic (UL 94V-0)
- Impeller: Plastic (UL 94V-0)
- Bearing: Ball bearings
- Control Options: +/-/FG/PWM
- Lead Wires : UL10368 AWG26 OR Equivalent

■ Air Flow-Static Pressure Characteristics



■ Dimensions drawing (mm)



Model No.	Rated Voltage VDC	Operating Voltage Range VDC	Operating Temp. °C	Speed RPM	Input Current Amp	Input Power Watts	Maximum Air Flow		Maximum Air Pressure		Noise @1M dB(A)
							CFM	m ³ /min	inH ₂ O	mmH ₂ O	
① A340281S BP4B00	12	10~13.2	-10~70	40000	4.57	54.8	50.6	1.44	10.56	268	75.3
② A340281S BP4B10	12	10~13.2	-10~70	38000	3.85	46.2	48.0	1.36	9.53	242	73.1
③ A340281S BP4B20	12	10~13.2	-10~70	36500	3.61	43.3	46.5	1.32	8.98	228	71.4
④ A340281S BP4B30	12	10~13.2	-10~70	33000	2.62	31.5	42.2	1.20	7.07	180	70.0
⑤ A340281S BP4B50	12	10~13.2	-10~70	30000	2.04	24.4	37.9	1.08	5.87	149	69.2
① A340284S B40N00B0	48	40.8~55.2	-10~70	40000	1.14	54.8	50.6	1.44	10.56	268	75.3
② A340284S B40N10B0	48	40.8~55.2	-10~70	38000	0.95	45.5	48.0	1.36	9.53	242	73.1
③ A340284S B40N20B0	48	40.8~55.2	-10~70	36500	0.90	43.3	46.5	1.32	8.98	228	71.4
④ A340284S B40N30B0	48	40.8~55.2	-10~70	33000	0.66	31.5	42.2	1.20	7.07	180	70.0
⑤ A340284S B40N50B0	48	40.8~55.2	-10~70	30000	0.51	24.4	37.9	1.08	5.87	149	69.2

Notes: Specifications are subject to change without notice. Please refer to the product data sheet provided by our sales.
<https://www.i-hzlw.com>

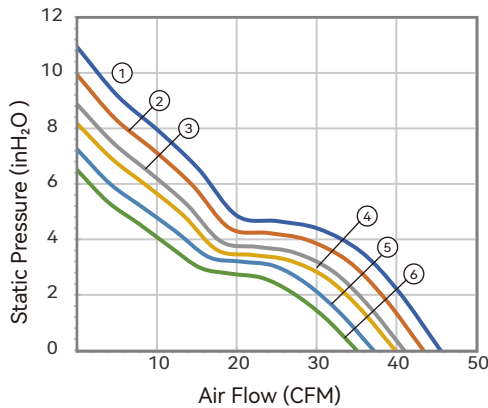
40X40X28 mm

Low Power Consumption

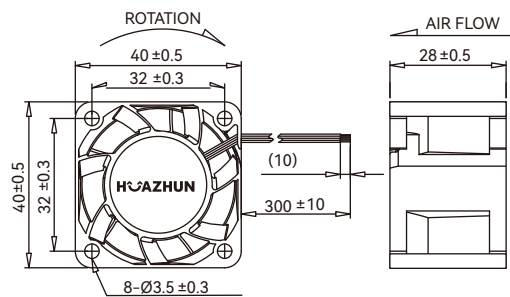


- Housing: Plastic (UL 94V-0)
- Impeller: Plastic (UL 94V-0)
- Bearing: Ball bearings
- Control Options: +/-/FG/PWM
- Lead Wires : UL10368 AWG26 OR Equivalent

■ Air Flow-Static Pressure Characteristics



■ Dimensions drawing (mm)



Model No.	Rated Voltage VDC	Operating Voltage Range VDC	Operating Temp. °C	Speed RPM	Input Current Amp	Input Power Watts	Maximum Air Flow		Maximum Air Pressure		Noise @1M dB(A)
							CFM	m ³ /min	inH ₂ O	mmH ₂ O	
① A340281S BP4W10	12	10~13.2	-10~70	40000	3.39	40.6	45.5	1.29	10.9	278	73.0
② A340281S BP4W20	12	10~13.2	-10~70	38000	2.93	35.2	43.4	1.23	9.9	252	71.9
③ A340281S BP4W30	12	10~13.2	-10~70	36000	2.50	30.0	41.0	1.16	8.9	225	70.3
④ A340281S BP4W50	12	10~13.2	-10~70	34000	2.23	26.7	39.9	1.13	8.2	208	69.9
⑤ A340281S BP4W60	12	10~13.2	-10~70	32000	1.86	22.3	37.1	1.05	7.3	184	68.8
⑥ A340281S BP4W70	12	10~13.2	-10~70	30000	1.63	19.6	35.0	0.99	6.5	165	68.2
① A340284S B40N10W0	48	40.8~55.2	-10~70	40000	0.85	40.6	45.5	1.29	10.9	278	73.0
② A340284S B40N20W0	48	40.8~55.2	-10~70	38000	0.73	35.2	43.4	1.23	9.9	252	71.9
③ A340284S B40N30W0	48	40.8~55.2	-10~70	36000	0.62	30.0	41.0	1.16	8.9	225	70.3
④ A340284S B40N50W0	48	40.8~55.2	-10~70	34000	0.56	26.7	39.9	1.13	8.2	208	69.9
⑤ A340284S B40N60W0	48	40.8~55.2	-10~70	32000	0.46	22.3	37.1	1.05	7.3	184	68.8
⑥ A340284S B40N70W0	48	40.8~55.2	-10~70	30000	0.41	19.6	35.0	0.99	6.5	165	68.2

Notes: Specifications are subject to change without notice. Please refer to the product data sheet provided by our sales.
<https://www.i-hzlw.com>

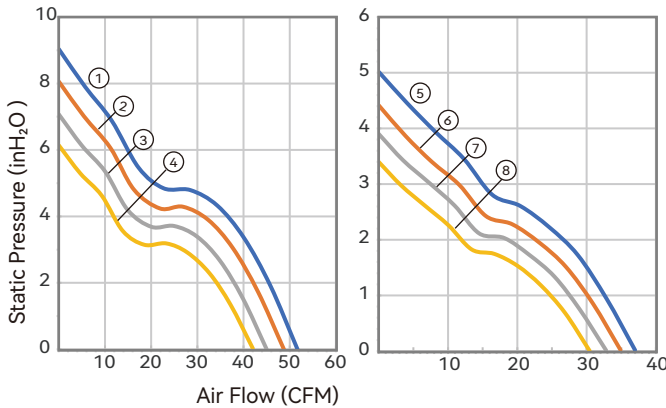
40X40X28 mm

High Air Flow

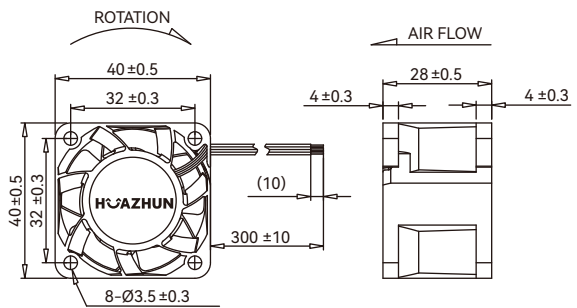


- Housing: Plastic (UL 94V-0)
- Impeller: Plastic (UL 94V-0)
- Bearing: Ball bearings
- Control Options: +/-/FG/PWM
- Lead Wires : UL10368 AWG26 OR Equivalent

■ Air Flow-Static Pressure Characteristics



■ Dimensions drawing (mm)



Model No.	Rated Voltage VDC	Operating Voltage Range VDC	Operating Temp. °C	Speed RPM	Input Current Amp	Input Power Watts	Maximum Air Flow		Maximum Air Pressure		Noise @1M dB(A)
							CFM	m ³ /min	inH ₂ O	mmH ₂ O	
① A340281S BP4Q30	12	10~13.2	-10~70	36000	4.88	58.5	51.7	1.46	9.0	229.4	72.1
② A340281S BP4Q40	12	10~13.2	-10~70	34000	4.10	49.3	48.7	1.38	8.1	204.7	70.9
③ A340281S BP4Q60	12	10~13.2	-10~70	32000	3.27	39.2	45.0	1.27	7.1	179.6	69.5
④ A340281S BP4Q70	12	10~13.2	-10~70	30000	2.68	32.1	42.0	1.19	6.1	156.0	68.1
⑤ A140281MBM 4050Q0	12	10~13.2	-10~70	26500	2.25	27.0	37.0	1.05	5.0	127.5	67.1
⑥ A140281MBM 4060Q0	12	10~13.2	-10~70	25000	1.76	21.1	34.9	0.99	4.4	112.3	64.8
⑦ A140281MBM 4070Q0	12	10~13.2	-10~70	23500	1.47	17.7	32.8	0.93	3.9	99.1	64.6
⑧ A140281MBM 4080Q0	12	10~13.2	-10~70	22000	1.18	14.1	30.4	0.86	3.4	86.4	62.0
① A340284S B40N30Q0	48	40.8~55.2	-10~70	36000	1.22	58.5	51.7	1.46	9.0	229.4	72.1
② A340284S B40N40Q0	48	40.8~55.2	-10~70	34000	1.03	49.3	48.7	1.38	8.1	204.7	70.9
③ A340284S B40N60Q0	48	40.8~55.2	-10~70	32000	0.82	39.2	45.0	1.27	7.1	179.6	69.5
④ A340284S B40N70Q0	48	40.8~55.2	-10~70	30000	0.67	32.1	42.0	1.19	6.1	156.0	68.1

Notes: Specifications are subject to change without notice. Please refer to the product data sheet provided by our sales.
<https://www.i-hzlw.com>

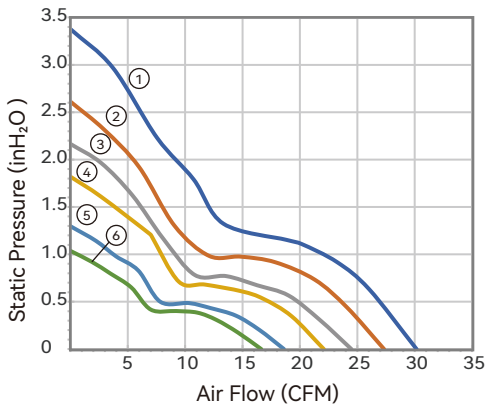
40X40X28 mm

Low Noise

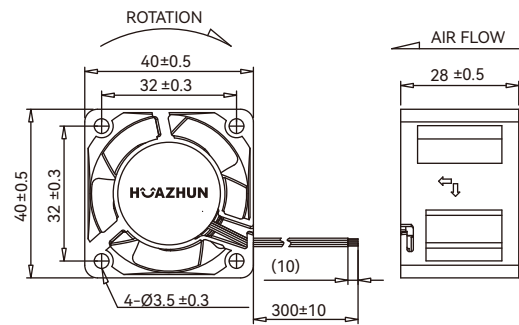


- Housing: Plastic (UL 94V-0)
- Impeller: Plastic (UL 94V-0)
- Bearing: Ball bearings
- Control Options: +/-/FG/PWM
- Lead Wires : UL10368 AWG26 OR Equivalent

■ Air Flow-Static Pressure Characteristics



■ Dimensions drawing (mm)



Model No.	Rated Voltage VDC	Operating Voltage Range VDC	Operating Temp. °C	Speed RPM	Input Current Amp	Input Power Watts	Maximum Air Flow		Maximum Air Pressure		Noise @1M dB(A)	
							CFM	m ³ /min	inH ₂ O	mmH ₂ O		
① A140281M	BO4V20	12	10~13.2	-10~70	22400	1.36	16.35	30.2	0.85	3.4	85.8	59.3
② A140281M	BO4V30	12	10~13.2	-10~70	20000	0.82	9.87	27.3	0.77	2.6	66.4	56.8
③ A140281M	BO4V40	12	10~13.2	-10~70	18000	0.66	7.92	24.5	0.69	2.2	55.0	54.6
④ A140281L	BG4V10	12	10~13.2	-10~70	16500	0.52	6.27	22.1	0.63	1.8	46.2	53.0
⑤ A140281L	BG4V20	12	10~13.2	-10~70	14000	0.32	3.86	18.6	0.53	1.3	32.9	48.3
⑥ A140281L	BG4V30	12	10~13.2	-10~70	12500	0.23	2.79	16.6	0.47	1.0	26.3	45.5
① A140282M	B40N50V0	24	16~30	-10~70	22400	0.68	16.35	30.2	0.85	3.4	85.8	59.3
② A140282M	B40N60V0	24	16~30	-10~70	20000	0.41	9.87	27.3	0.77	2.6	66.4	56.8
③ A140282M	B40N70V0	24	16~30	-10~70	18000	0.33	7.92	24.5	0.69	2.2	55.0	54.6

Notes: Specifications are subject to change without notice. Please refer to the product data sheet provided by our sales.
<https://www.i-hzlw.com>

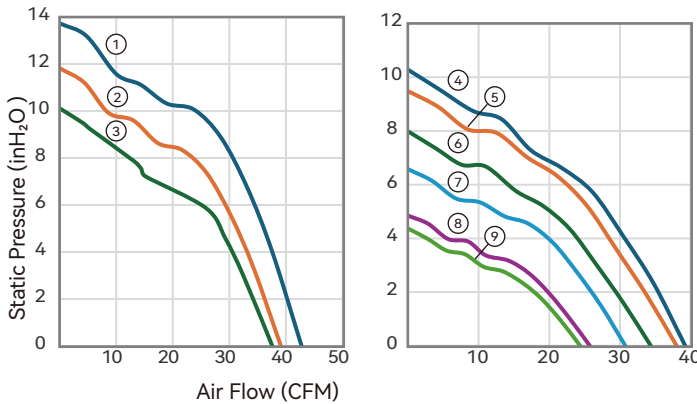
40X40X56 mm

Dual Fan, High Static Pressure

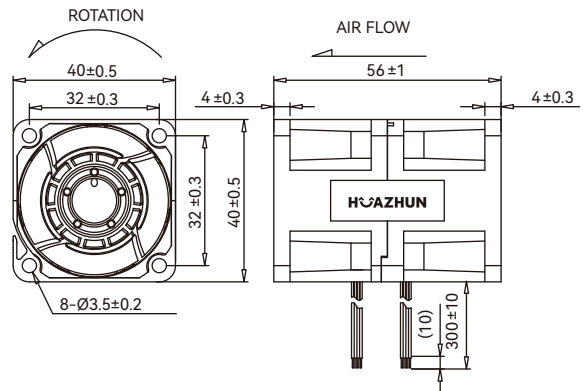


- Housing: Plastic (UL 94V-0)
- Impeller: Plastic (UL 94V-0)
- Bearing: Ball bearings
- Control Options: +/-/FG/PWM
- Lead Wires : UL10368 AWG26 OR Equivalent

■ Air Flow-Static Pressure Characteristics



■ Dimensions drawing (mm)



Model No.	Rated Voltage VDC	Operating Voltage Range VDC	Operating Temp. °C	Speed RPM		Input Current Amp	Input Power Watts	Maximum Air Flow		Maximum Air Pressure		Noise @1M dB(A)
								CFM	m ³ /min	inH ₂ O	mmH ₂ O	
① D340561S BP8020	12	10~13.2	-10~70	37500	36000	5.03	60.4	42.7	1.21	13.7	349	81.6
② D340561S BP8030	12	10~13.2	-10~70	35000	32000	3.90	46.8	39.1	1.11	11.8	300	77.2
③ D340561S BP8040	12	10~13.2	-10~70	33000	30000	3.23	38.8	37.6	1.06	10.1	257	74.8
④ D140561H BP8030	12	10~13.2	-10~70	34100	32000	4.13	49.5	39.3	1.11	10.3	261	76.4
⑤ D140561H BP8040	12	10~13.2	-10~70	33000	30000	3.70	44.4	38.0	1.08	9.5	241	75.1
⑥ D140561H BP8050	12	10~13.2	-10~70	30000	27000	2.84	34.1	34.4	0.97	8.0	203	75.2
⑦ D140562M B80N60N0	24	16~30	-10~70	26500	25500	2.17	26.0	30.8	0.87	6.6	167	72.8
⑧ D140562M B80N70N0	24	16~30	-10~70	23000	20500	1.38	16.6	25.8	0.73	4.8	123	67.9
⑨ D140562M B80N80N0	24	16~30	-10~70	21500	19000	1.02	12.2	24.4	0.69	4.4	111	65.3

Notes: Specifications are subject to change without notice. Please refer to the product data sheet provided by our sales.
<https://www.i-hzlw.com>

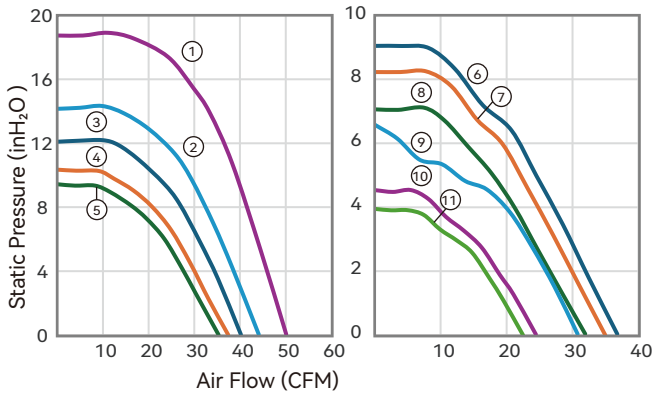
40X40X56 mm

Dual Fan, High Efficiency

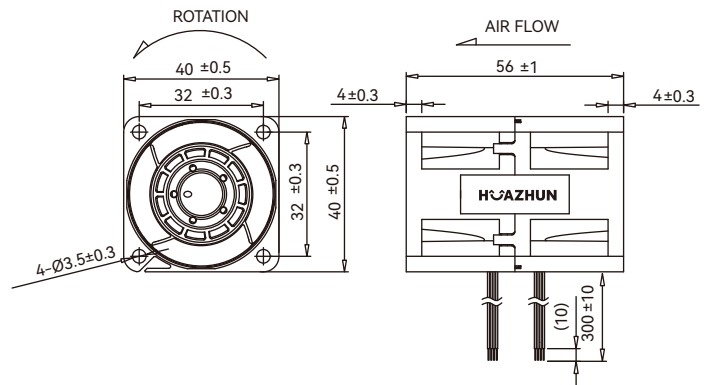


- Housing: Plastic (UL 94V-0)
- Impeller: Plastic (UL 94V-0)
- Bearing: Ball bearings
- Control Options: +/-/FG/PWM
- Lead Wires : UL10368 AWG26 OR Equivalent

■ Air Flow-Static Pressure Characteristics



■ Dimensions drawing (mm)



Model No.	Rated Voltage VDC	Operating Voltage Range VDC	Operating Temp. °C	Speed RPM	Input Current Amp	Input Power Watts	Maximum Air Flow		Maximum Air Pressure		Noise @1M dB(A)
							CFM	m ³ /min	inH ₂ O	mmH ₂ O	
① D340561S BP8T10	12	10.8~13.2	-10~70	45700 43500	6.40	79.1	50.8	1.44	20.6	522	80.4
② D340561S BP8T00	12	10.8~13.2	-10~70	40300 39600	4.57	54.8	44.1	1.25	14.1	359	77.6
③ D340561S BP8T20	12	10.8~13.2	-10~70	37500 36000	3.62	43.4	40.2	1.14	12.1	307	81.8
④ D340561S BP8T30	12	10.8~13.2	-10~70	35000 32000	2.92	35.1	37.4	1.06	10.3	263	73.9
⑤ D340561S BP8T40	12	10.8~13.2	-10~70	33000 30000	2.50	30.0	35.3	1.00	9.4	240	73.2
⑥ D140561H BP8T30	12	10.8~13.2	-10~70	34100 32000	3.28	39.3	36.8	1.04	9.0	230	73.9
⑦ D140561H BP8T40	12	10.8~13.2	-10~70	33000 30000	2.96	35.5	35.0	0.99	8.2	209	74.2
⑧ D140561H BP8T50	12	10.8~13.2	-10~70	30000 27000	2.30	27.6	31.9	0.90	7.1	179	75.2
⑨ D140561M BP8T60	12	10.8~13.2	-10~70	26500 25500	2.17	26.0	30.8	0.87	6.6	167	70.7
⑩ D140561M BP8T70	12	10.8~13.2	-10~70	23000 20500	1.06	12.7	24.5	0.69	4.5	115	68.1
⑪ D140561M BP8T80	12	10.8~13.2	-10~70	21500 19000	0.86	10.3	22.5	0.64	3.9	100	65.3
① D340564S B80N00T0	48	40.8~55.2	-10~70	45700 43500	1.60	79.1	50.8	1.44	20.6	522	80.4
② D340564S B80N10T0	48	40.8~55.2	-10~70	40300 39600	1.14	54.8	44.1	1.25	14.1	359	77.6
③ D340564S B80N20T0	48	40.8~55.2	-10~70	37500 36000	0.90	43.4	40.2	1.14	12.1	307	81.8

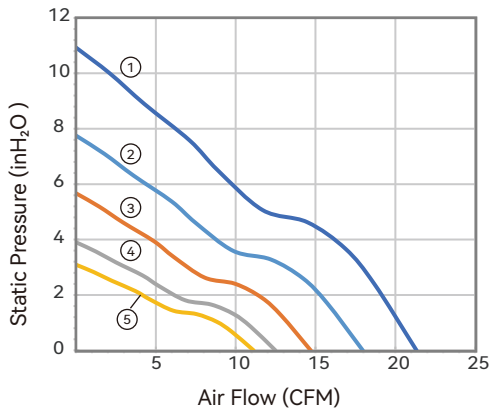
Notes: Specifications are subject to change without notice. Please refer to the product data sheet provided by our sales.
<https://www.i-hzlw.com>

50X50X10 mm

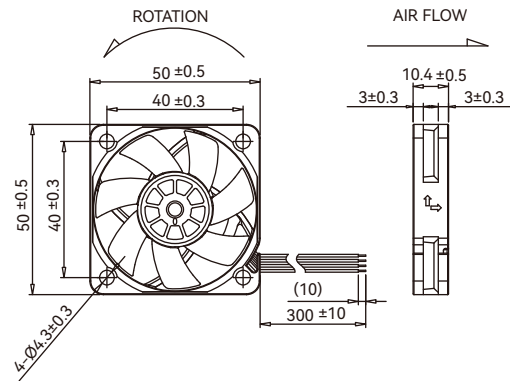


- Housing: Plastic (UL 94V-0)
- Impeller: Plastic (UL 94V-0)
- Bearing: Ball bearings
- Control Options: +/-/FG/PWM
- Weight: 34.1 g

■ Air Flow-Static Pressure Characteristics



■ Dimensions Drawing (mm)



Model No.	Rated Voltage VDC	Operating Voltage Range VDC	Operating Temp. °C	Speed RPM	Input Current Amp	Input Power Watts	Maximum Air Flow		Maximum Air Pressure		Noise @1M dB(A)
							CFM	m ³ /min	inH ₂ O	mmH ₂ O	
① A150100MB 40N10N0	5	3.5~5.5	-10~70	9500	0.600	3.00	21.33	0.60	0.43	10.93	38.8
② A150100MB 40N20N0	5	3.5~5.5	-10~70	8000	0.358	1.79	17.96	0.51	0.31	7.75	35.1
③ A150100MB 40N30N0	5	3.5~5.5	-10~70	6500	0.175	0.88	14.70	0.42	0.22	5.67	32.9
④ A150100MB 40N50N0	5	3.5~5.5	-10~70	5000	0.122	0.61	11.12	0.31	0.12	3.09	25.5
⑤ A150100MB 40N60N0	5	3.5~5.5	-10~70	4600	0.097	0.49	10.39	0.29	0.10	2.63	23.0
① A150101MB 40N10N0	12	7~13.8	-10~70	9500	0.221	2.65	21.33	0.60	0.43	10.93	38.8
② A150101MB 40N20N0	12	7~13.8	-10~70	8000	0.132	1.58	17.96	0.51	0.31	7.75	35.1
③ A150101MB 40N60N0	12	7~13.8	-10~70	6500	0.068	0.82	14.70	0.42	0.22	5.67	32.9
④ A150101MB 40N80N0	12	7~13.8	-10~70	5500	0.066	0.79	12.49	0.35	0.15	3.90	27.3
⑤ A150101MB 40N90N0	12	7~13.8	-10~70	5000	0.051	0.61	11.12	0.31	0.12	3.09	25.5

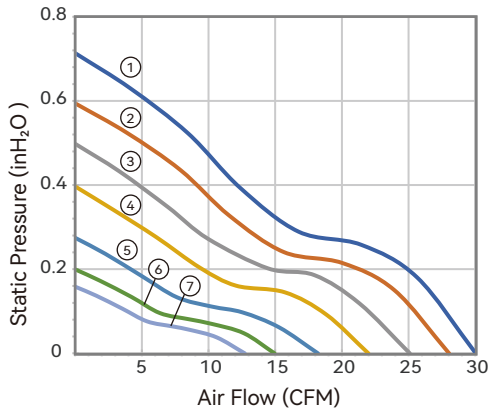
Notes: Specifications are subject to change without notice. Please refer to the product data sheet provided by our sales.
<https://www.i-hzlw.com>

50X50X15 mm

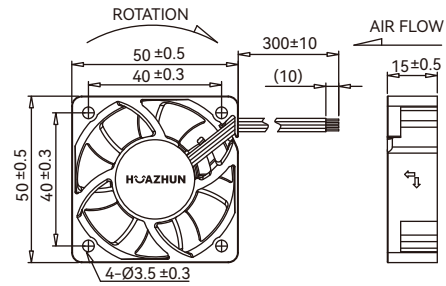


- Housing: Plastic (UL 94V-0)
- Impeller: Plastic (UL 94V-0)
- Bearing: Ball bearings
- Control Options: +/-/FG/PWM
- Weight: 34.1 g

■ Air Flow-Static Pressure Characteristics



■ Dimensions Drawing (mm)



Model No.	Rated Voltage VDC	Operating Voltage Range VDC	Operating Temp. °C	Speed RPM	Input Current Amp	Input Power Watts	Maximum Air Flow		Maximum Air Pressure		Noise @1M dB(A)
							CFM	m ³ /min	inH ₂ O	mmH ₂ O	
① A150151M BO4010	12	6~13.8	-10~70	11000	0.380	4.56	30.0	0.85	0.71	18.1	49.6
② A150151M BO4020	12	6~13.8	-10~70	10000	0.285	3.43	28.0	0.79	0.59	15.1	47.5
③ A150151M BO4030	12	6~13.8	-10~70	9000	0.208	2.50	25.1	0.71	0.50	12.6	45.2
④ A150151M BO4040	12	6~13.8	-10~70	8000	0.140	1.68	22.0	0.62	0.40	10.1	40.6
⑤ A150151M BO4050	12	6~13.8	-10~70	6500	0.101	1.21	18.2	0.52	0.27	7.0	34.7
⑥ A150151M BO4060	12	6~13.8	-10~70	5500	0.067	0.81	15.0	0.42	0.20	5.1	30.3
⑦ A150151M BO4070	12	6~13.8	-10~70	4700	0.048	0.58	12.7	0.36	0.16	4.0	26.9
① A150152M B40N10N0	24	14~27.6	-10~70	11000	0.190	4.56	30.0	0.85	0.71	18.1	49.6
② A150152M B40N20N0	24	14~27.6	-10~70	10000	0.143	3.43	28.0	0.79	0.59	15.1	47.5
③ A150152M B40N30N0	24	14~27.6	-10~70	9000	0.104	2.50	25.1	0.71	0.50	12.6	45.2
④ A150152M B40N40N0	24	14~27.6	-10~70	8000	0.070	1.68	22.0	0.62	0.40	10.1	40.6
⑤ A150152M B40N50N0	24	14~27.6	-10~70	6500	0.050	1.21	18.2	0.52	0.27	7.0	34.7
⑥ A150152M B40N60N0	24	14~27.6	-10~70	5500	0.034	0.81	15.0	0.42	0.20	5.1	30.3
⑦ A150152M B40N70N0	24	14~27.6	-10~70	4700	0.024	0.58	12.7	0.36	0.16	4.0	26.9

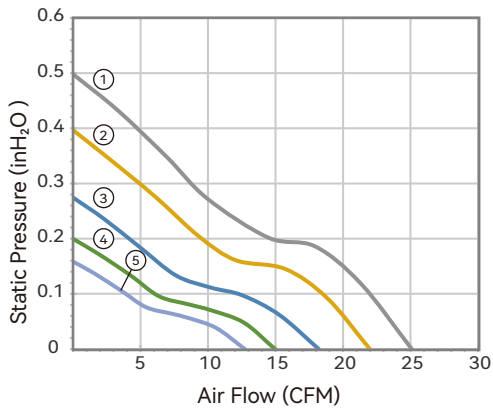
Notes: Specifications are subject to change without notice. Please refer to the product data sheet provided by our sales.
<https://www.i-hzlw.com>

50X50X15 mm

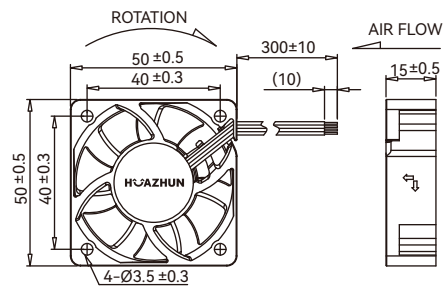


- Housing: Plastic (UL 94V-0)
- Impeller: Plastic (UL 94V-0)
- Bearing: Hydraulic bearings
- Control Options: +/-/FG/PWM
- Weight: 32.8 g

■ Air Flow-Static Pressure Characteristics



■ Dimensions Drawing (mm)



Model No.	Rated Voltage VDC	Operating Voltage Range VDC	Operating Temp. °C	Speed RPM	Input Current Amp	Input Power Watts	Maximum Air Flow		Maximum Air Pressure		Noise @1M dB(A)
							CFM	m ³ /min	inH ₂ O	mmH ₂ O	
① A150151M HO4030	12	6~13.8	-10~70	9000	0.486	5.83	25.10	0.71	0.50	12.6	43.2
② A150151M HO4040	12	6~13.8	-10~70	8000	0.290	3.48	22.00	0.62	0.40	10.1	38.6
③ A150151M HO4050	12	6~13.8	-10~70	6500	0.200	2.40	18.20	0.52	0.27	7.0	32.7
④ A150151M HO4060	12	6~13.8	-10~70	5500	0.120	1.44	15.00	0.42	0.20	5.1	28.3
⑤ A150151M HO4070	12	6~13.8	-10~70	4700	0.070	0.84	12.70	0.36	0.16	4.0	24.9
① A150152M H40N30N0	24	14~27.6	-10~70	9000	0.243	5.83	25.10	0.71	0.50	12.6	43.2
② A150152M H40N40N0	24	14~27.6	-10~70	8000	0.145	3.48	22.00	0.62	0.40	10.1	38.6
③ A150152M H40N50N0	24	14~27.6	-10~70	6500	0.100	2.40	18.20	0.52	0.27	7.0	32.7
④ A150152M H40N60N0	24	14~27.6	-10~70	5500	0.060	1.44	15.00	0.42	0.20	5.1	28.3
⑤ A150152M H40N70N0	24	14~27.6	-10~70	4700	0.035	0.84	12.70	0.36	0.16	4.0	24.9

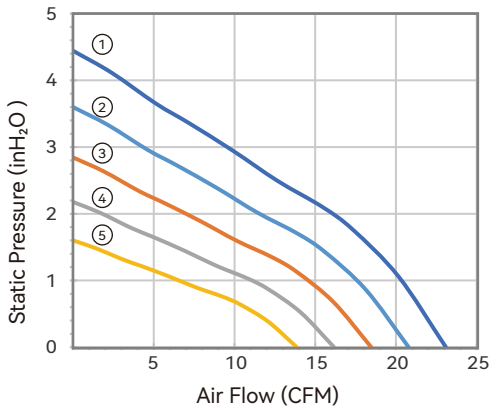
Notes: Specifications are subject to change without notice. Please refer to the product data sheet provided by our sales.
<https://www.i-hzlw.com>

60X60X10 mm

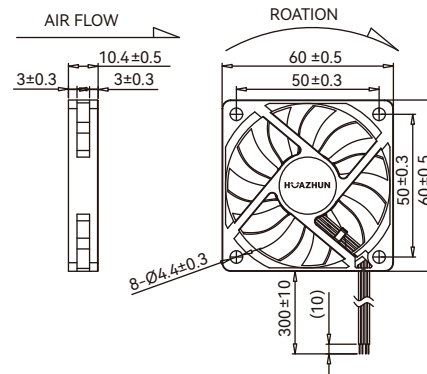


- Housing: Plastic (UL 94V-0)
- Impeller: Plastic (UL 94V-0)
- Bearing: Ball bearings
- Control Options: +/-/FG/PWM

■ Air Flow-Static Pressure Characteristics



■ Dimensions Drawing (mm)



Model No.	Rated Voltage VDC	Operating Voltage Range VDC	Operating Temp. °C	Speed RPM	Input Current Amp	Input Power Watts	Maximum Air Flow		Maximum Air Pressure		Noise @1M dB(A)
							CFM	m ³ /min	inH ₂ O	mmH ₂ O	
① A360100MB 40N20N0	5	3.5~5.5	-10~70	5000	0.744	3.72	23.09	0.65	0.17	4.44	37.1
② A360100MB 40N30N0	5	3.5~5.5	-10~70	4500	0.552	2.76	20.78	0.59	0.14	3.60	34.8
③ A360100MB 40N40N0	5	3.5~5.5	-10~70	4000	0.852	4.26	18.47	0.52	0.11	2.84	32.2
④ A360100MB 40N50N0	5	3.5~5.5	-10~70	3500	0.564	2.82	16.16	0.46	0.09	2.18	29.3
⑤ A360100MB 40N60N0	5	3.5~5.5	-10~70	3000	0.329	1.64	13.85	0.39	0.06	1.60	26.0
① A360101MB 40N20N0	12	7~13.8	-10~70	5000	0.310	3.72	23.09	0.65	0.17	4.44	37.1
② A360101MB 40N30N0	12	7~13.8	-10~70	4500	0.230	2.76	20.78	0.59	0.14	3.60	34.8
③ A160101MB 40N40N0	12	7~13.8	-10~70	4000	0.355	4.26	18.47	0.52	0.11	2.84	32.2
④ A160101MB 40N50N0	12	7~13.8	-10~70	3500	0.235	2.82	16.16	0.46	0.09	2.18	29.3
⑤ A160101MB 40N60N0	12	7~13.8	-10~70	3000	0.137	1.64	13.85	0.39	0.06	1.60	26.0

Notes: Specifications are subject to change without notice. Please refer to the product data sheet provided by our sales.
<https://www.i-hzlw.com>

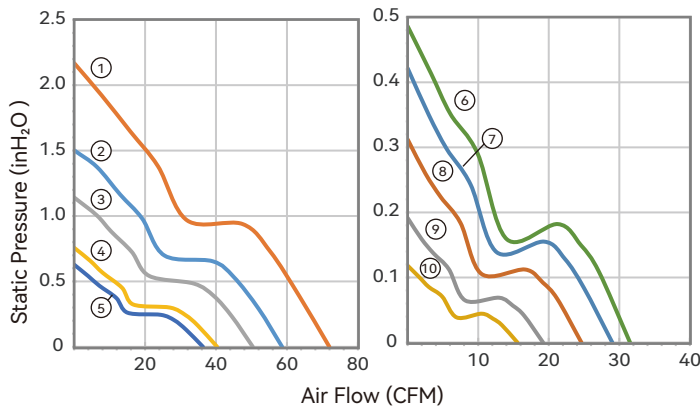
60X60X25 mm

High Air Flow

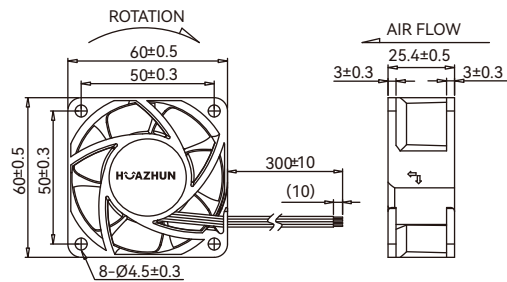


- Housing: Plastic (UL 94V-0)
- Impeller: Plastic (UL 94V-0)
- Bearing: Ball bearings
- Control Options: +/-/FG/PWM
- Weight: 70.5 g

■ Air Flow-Static Pressure Characteristics



■ Dimensions Drawing (mm)



Model No.	Rated Voltage VDC	Operating Voltage Range VDC	Operating Temp. °C	Speed RPM	Input Current Amp	Input Power Watts	Maximum Air Flow		Maximum Air Pressure		Noise @1M dB(A)
							CFM	m ³ /min	inH ₂ O	mmH ₂ O	
① A160251HBO 4000Q0	12	7~13.8	-10~70	13000	1.906	22.87	71.94	2.04	2.17	55.1	59.8
② A160251HBO 4010Q0	12	7~13.8	-10~70	11000	1.117	13.40	58.62	1.66	1.50	38.2	54.8
③ A160251HBO 4020Q0	12	7~13.8	-10~70	9500	0.705	8.46	50.36	1.43	1.14	29.0	49.8
④ A160251HBO 4030Q0	12	7~13.8	-10~70	7600	0.373	4.48	40.28	1.14	0.76	19.2	45.5
⑤ A160251HBO 4040Q0	12	7~13.8	-10~70	6900	0.310	3.72	36.10	1.02	0.62	15.8	43.3
⑥ A160251MBO 4050Q0	12	7~13.8	-10~70	6000	0.199	2.39	31.40	0.89	0.47	12.0	39.5
⑦ A160251MBO 4060Q0	12	7~13.8	-10~70	5500	0.159	1.91	29.00	0.82	0.42	10.7	36.5
⑧ A160251MBO 4070Q0	12	7~13.8	-10~70	4700	0.115	1.38	24.63	0.70	0.31	7.9	33.1
⑨ A160251MBO 4080Q0	12	7~13.8	-10~70	4000	0.071	0.85	20.96	0.59	0.23	5.7	29.6
⑩ A160251MBO 4090Q0	12	7~13.8	-10~70	3000	0.030	0.36	15.72	0.44	0.13	3.2	24.5
① A160252HBO 4000Q0	24	14~27.6	-10~70	13000	0.953	22.87	71.94	2.04	2.17	55.1	59.8
② A160252HBO 4010Q0	24	14~27.6	-10~70	11000	0.558	13.40	58.62	1.66	1.50	38.2	54.8
③ A160252HBO 4020Q0	24	14~27.6	-10~70	9500	0.353	8.46	50.36	1.43	1.14	29.0	49.8
④ A160252HBO 4030Q0	24	14~27.6	-10~70	7600	0.187	4.48	40.28	1.14	0.76	19.2	45.5
⑤ A160252HBO 4040Q0	24	14~27.6	-10~70	6900	0.155	3.72	36.10	1.02	0.62	15.8	43.3
⑥ A160252HBO 4050Q0	24	14~27.6	-10~70	6000	0.100	2.39	31.40	0.89	0.47	12.0	39.5
⑦ A160252HBO 4060Q0	24	14~27.6	-10~70	5500	0.080	1.91	29.00	0.82	0.42	10.7	36.5
⑧ A160252HBO 4070Q0	24	14~27.6	-10~70	4700	0.057	1.38	24.63	0.70	0.31	7.9	33.1
⑨ A160252HBO 4080Q0	24	14~27.6	-10~70	4000	0.035	0.85	20.96	0.59	0.23	5.7	29.6
⑩ A160252HBO 4090Q0	24	14~27.6	-10~70	3000	0.015	0.36	15.72	0.44	0.13	3.2	24.5

Notes: Specifications are subject to change without notice. Please refer to the product data sheet provided by our sales.
<https://www.i-hzlw.com>

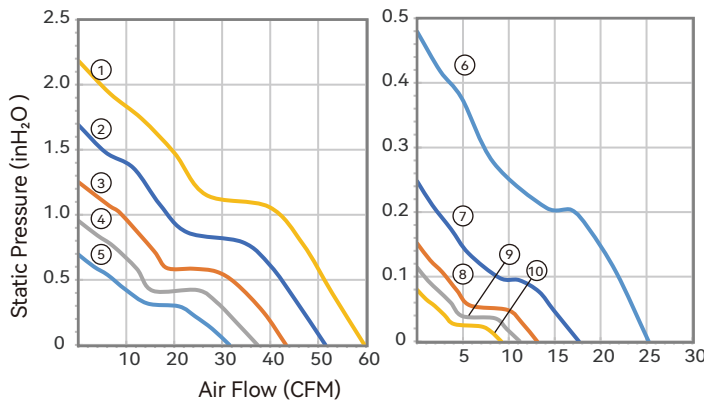
60X60X25 mm

High Static Pressure

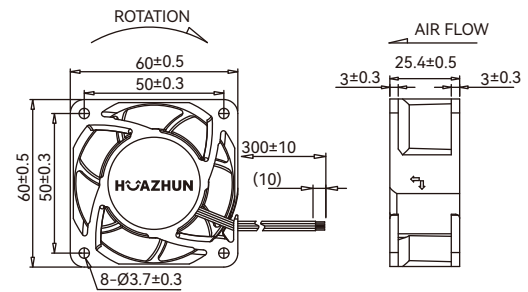


- Housing: Plastic (UL 94V-0)
- Impeller: Plastic (UL 94V-0)
- Bearing: Ball bearings
- Control Options: +/-/FG/PWM
- Weight: 70.5 g

■ Air Flow-Static Pressure Characteristics



■ Dimensions Drawing (mm)



Model No.	Rated Voltage VDC	Operating Voltage Range VDC	Operating Temp. °C	Speed RPM	Input Current Amp	Input Power Watts	Maximum Air Flow		Maximum Air Pressure		Noise @1M dB(A)
							CFM	m ³ /min	inH ₂ O	mmH ₂ O	
① A160251H BO4000P0	12	7~13.8	-10~70	15000	1.450	17.40	59.65	1.69	2.18	55.49	59.4
② A160251H BO4010P0	12	7~13.8	-10~70	13000	0.985	11.82	53.08	1.50	1.70	43.18	55.8
③ A160251H BO4020P0	12	7~13.8	-10~70	11000	0.565	6.78	43.24	1.22	1.22	30.92	52.7
④ A160251H BO4030P0	12	7~13.8	-10~70	9500	0.459	5.50	37.33	1.06	0.95	24.25	48.6
⑤ A160251H BO4040P0	12	7~13.8	-10~70	8000	0.330	3.96	31.48	0.89	0.70	17.67	44.2
⑥ A160251M BO4050P0	12	7~13.8	-10~70	6500	0.215	2.58	25.24	0.71	0.48	12.18	38.9
⑦ A160251M BO4060P0	12	7~13.8	-10~70	4500	0.073	0.87	17.63	0.50	0.25	6.29	29.4
⑧ A160251M BO4070P0	12	7~13.8	-10~70	3500	0.051	0.61	14.70	0.42	0.15	3.82	25.5
⑨ A160251M BO4080P0	12	7~13.8	-10~70	3000	0.036	0.44	10.93	0.31	0.11	2.81	22.7
⑩ A160251M BO4090P0	12	7~13.8	-10~70	2500	0.029	0.35	8.97	0.25	0.08	2.02	19.8
① A160252H BO4000P0	24	14~27.6	-10~70	15000	0.725	17.40	59.65	1.69	2.18	55.49	59.4
② A160252H BO4010P0	24	14~27.6	-10~70	13000	0.493	11.82	53.08	1.50	1.70	43.18	55.8
③ A160252H BO4020P0	24	14~27.6	-10~70	11000	0.283	6.78	43.24	1.22	1.22	30.92	52.7
④ A160252H BO4030P0	24	14~27.6	-10~70	9500	0.229	5.50	37.33	1.06	0.95	24.25	48.6
⑤ A160252H BO4040P0	24	14~27.6	-10~70	8000	0.165	3.96	31.48	0.89	0.70	17.67	44.2
⑥ A160252H BO4050P0	24	14~27.6	-10~70	6500	0.108	2.58	25.24	0.71	0.48	12.18	38.9

Notes: Specifications are subject to change without notice. Please refer to the product data sheet provided by our sales.
<https://www.i-hzlw.com>

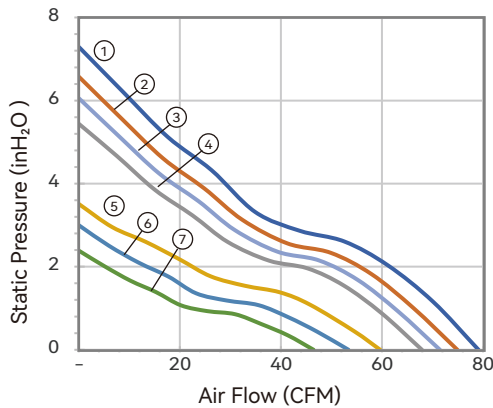
60X60X38 mm

High Static Pressure

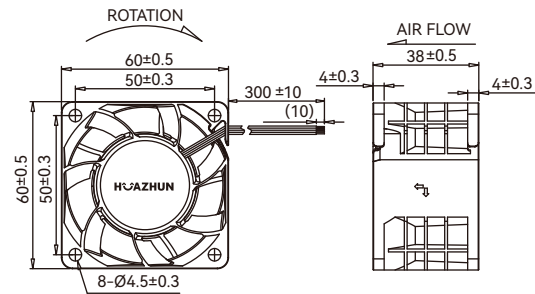


- Housing: Plastic (UL 94V-0)
- Impeller: Plastic (UL 94V-0)
- Bearing: Ball bearings
- Control Options: +/-/FG/PWM
- Weight: 130 g
- Lead Wires : UL10368 AWG26 OR Equivalent

■ Air Flow-Static Pressure Characteristics



■ Dimensions Drawing (mm)



Model No.	Rated Voltage VDC	Operating Voltage Range VDC	Operating Temp. °C	Speed RPM	Input Current Amp	Input Power Watts	Maximum Air Flow		Maximum Air Pressure		Noise @1M dB(A)
							CFM	m ³ /min	inH ₂ O	mmH ₂ O	
① A360381H BO4010N0	12	7~13.8	-10~70	24000	3.05	36.60	79.10	2.24	7.30	185	72.3
② A360381H BO4020N0	12	7~13.8	-10~70	22700	2.63	31.60	74.90	2.12	6.60	167	69.1
③ A360381H BO4030N0	12	7~13.8	-10~70	21700	2.27	27.30	71.50	2.02	6.10	154	68.4
④ A360381H BO4040N0	12	7~13.8	-10~70	20600	2.20	26.40	67.90	1.92	5.40	138	66.6
⑤ A160381M B40N50N0	12	7~13.8	-10~70	18000	1.34	16.10	59.60	1.69	3.50	89	65.1
⑥ A160381M B40N60N0	12	7~13.8	-10~70	16000	1.05	12.60	53.40	1.51	3.00	76	62.4
⑦ A160381M B40N70N0	12	7~13.8	-10~70	14000	0.65	7.80	46.50	1.31	2.40	61	59.1
① A160382H BO4010N0	24	14~27.6	-10~70	24000	1.52	36.60	79.10	2.24	7.30	185	72.3
② A160382H BO4020N0	24	14~27.6	-10~70	22700	1.32	31.60	74.90	2.12	6.60	167	69.1
③ A160382H BO4030N0	24	14~27.6	-10~70	21700	1.14	27.30	71.50	2.02	6.10	154	68.4
④ A160382H BO4040N0	24	14~27.6	-10~70	20600	1.10	26.40	67.90	1.92	5.40	138	66.6
⑤ A160382H BO4050N0	24	14~27.6	-10~70	18000	0.68	16.30	59.60	1.69	3.50	89	65.1
⑥ A160382H BO4060N0	24	14~27.6	-10~70	16000	0.54	13.00	53.40	1.51	3.00	76	62.4
⑦ A160382H BO4070N0	24	14~27.6	-10~70	14000	0.33	7.80	46.50	1.31	2.40	61	59.1

Notes: Specifications are subject to change without notice. Please refer to the product data sheet provided by our sales.
<https://www.i-hzlw.com>

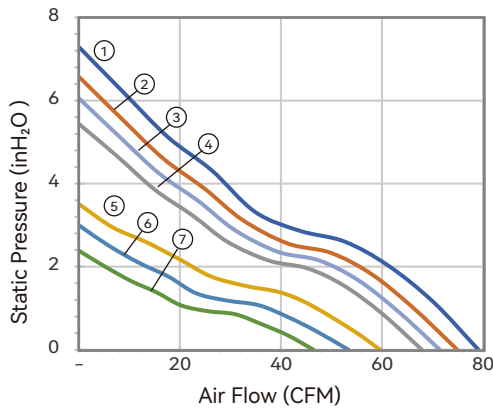
60X60X38 mm

High Static Pressure

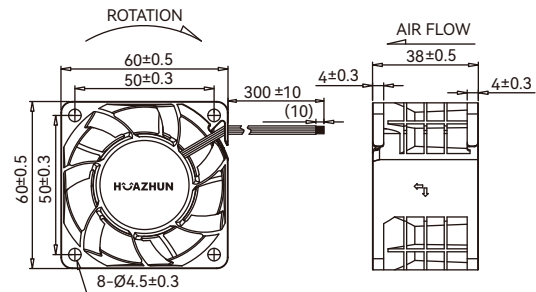


- Housing: Plastic (UL 94V-0)
- Impeller: Plastic (UL 94V-0)
- Bearing: Ball bearings
- Control Options: +/-/FG/PWM
- Weight: 130 g
- Lead Wires : UL10368 AWG26 OR Equivalent

Air Flow-Static Pressure Characteristics



Dimensions Drawing (mm)



Model No.	Rated Voltage VDC	Operating Voltage Range VDC	Operating Temp. °C	Speed RPM	Input Current Amp	Input Power Watts	Maximum Air Flow		Maximum Air Pressure		Noise @1M dB(A)
							CFM	m ³ /min	inH ₂ O	mmH ₂ O	
① A160384H B40N10N0	48	36~57	-10~70	24000	0.83	39.8	79.10	2.24	7.30	185	72.3
② A160384H B40N20N0	48	36~57	-10~70	22700	0.70	33.7	74.90	2.12	6.60	167	69.1
③ A160384H B40N30N0	48	36~57	-10~70	21700	0.61	29.4	71.50	2.02	6.10	154	68.4
④ A160384H B40N40N0	48	36~57	-10~70	20600	0.52	25.0	67.90	1.92	5.40	138	66.6
⑤ A160384H B40N50N0	48	36~57	-10~70	18000	0.36	17.5	59.60	1.69	3.50	89	65.1
⑥ A160384H B40N60N0	48	36~57	-10~70	16000	0.54	12.6	53.40	1.51	3.00	76	62.4
⑦ A160384H B40N70N0	48	36~57	-10~70	14000	0.16	7.8	46.50	1.31	2.40	61	59.1

Notes: Specifications are subject to change without notice. Please refer to the product data sheet provided by our sales.
<https://www.i-hzlw.com>

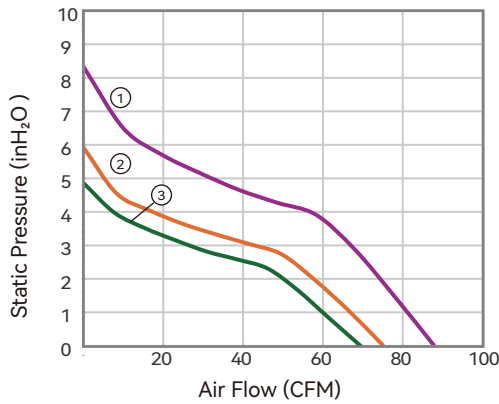
60X60X38 mm

High Efficiency

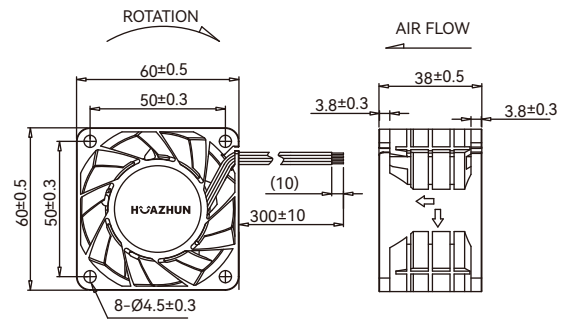


- Housing: Plastic (UL 94V-0)
- Impeller: Plastic (UL 94V-0)
- Bearing: Ball bearings
- Control Options: +/-/FG/PWM
- Weight: 130 g
- Lead Wires : UL10368 AWG26 OR Equivalent

■ Air Flow-Static Pressure Characteristics



■ Dimensions Drawing



Model No.	Rated Voltage VDC	Operating Voltage Range VDC	Operating Temp. °C	Speed RPM	Input Current Amp	Input Power Watts	Maximum Air Flow		Maximum Air Pressure		Noise @1M dB(A)
							CFM	m ³ /min	inH ₂ O	mmH ₂ O	
① A360381H BO4000A0	12	10.2~13.8	-10~70	25500	3.82	45.8	87.8	2.50	8.3	212	74.1
② A360381H BO4030A0	12	10.2~13.8	-10~70	21700	2.55	30.6	75.0	2.12	5.9	150	71.4
③ A160381M B40N40A0	12	10.2~13.8	-10~70	20600	2.08	25.0	69.5	1.97	4.9	124	70.8
① A160384H B40N10A0	48	36~57	-10~70	25500	0.92	44.0	87.5	2.48	8.1	206	74.1
② A160384H B40N30A0	48	36~57	-10~70	21700	0.56	26.9	74.9	2.12	5.6	142	71.4
③ A160384H B40N40A0	48	36~57	-10~70	20600	0.48	23.3	70.7	2.00	5.1	130	70.8

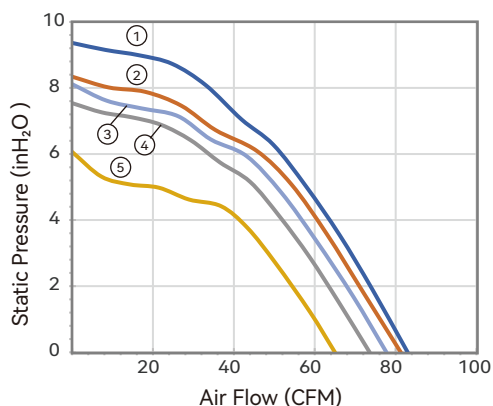
Notes: Specifications are subject to change without notice. Please refer to the product data sheet provided by our sales.
<https://www.i-hzlw.com>

60X60X56 mm

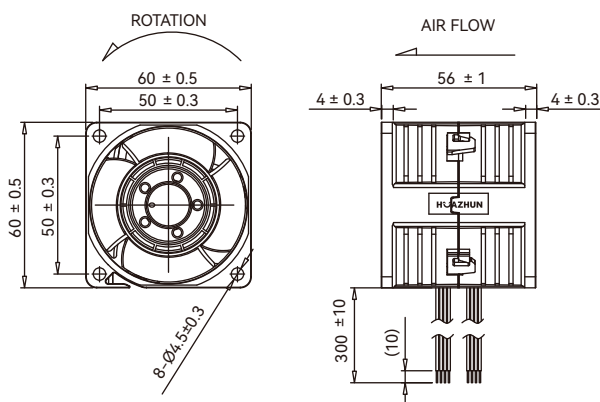


- Housing: Plastic (UL 94V-0)
- Impeller: Plastic (UL 94V-0)
- Bearing: Ball bearings
- Control Options: +/-/FG/PWM
- Weight: 130 g
- Lead Wires : UL10368 AWG26 OR Equivalent

■ Air Flow-Static Pressure Characteristics



■ Dimensions drawing



Model No.	Rated Voltage VDC	Operating Voltage Range VDC	Operating Temp. °C	Speed		Input Current Amp	Input Power Watts	Maximum Air Flow		Maximum Air Pressure		Noise @1M dB(A)
				RPM				CFM	m ³ /min	inH ₂ O	mmH ₂ O	
① D360561S BP8010W0	12	10.8~13.2	-10~70	23000	23500	4.41	52.9	83.0	2.3	9.4	238	81.3
② D360561S BP8020W0	12	10.8~13.2	-10~70	21900	24000	4.25	51.0	81.3	2.3	8.3	212	80.1
③ D360561S BP8030W0	12	10.8~13.2	-10~70	21200	22400	3.73	44.7	77.7	2.2	8.1	206	79.5
④ D360561S BP8040W0	12	10.8~13.2	-10~70	20300	21500	3.18	38.1	73.6	2.1	7.5	191	78.8
⑤ D360561S BP8060W0	12	10.8~13.2	-10~70	17100	19600	2.11	25.4	65.0	1.8	6.1	154	75.5
① D160564S B80N10W0	48	36~57	-10~70	23000	23500	1.14	54.5	83.0	2.3	9.4	238	81.3
② D160564S B80N20W0	48	36~57	-10~70	21900	24000	1.09	52.5	81.3	2.3	8.3	212	80.1
③ D160564S B80N30W0	48	36~57	-10~70	21200	22400	0.96	46.0	77.7	2.2	8.1	206	79.5
④ D160564S B80N40W0	48	36~57	-10~70	20300	21500	0.82	39.2	73.6	2.1	7.5	191	78.8
⑤ D160564S B80N60W0	48	36~57	-10~70	17100	19600	0.54	26.1	65.0	1.8	6.1	154	75.5

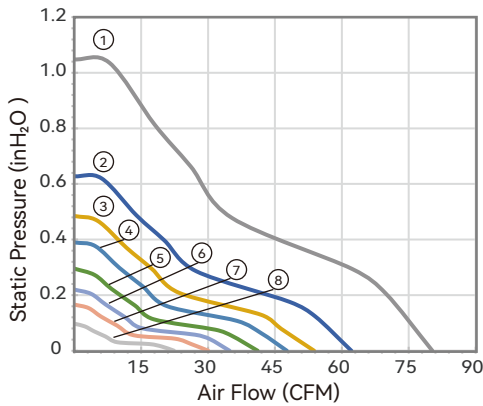
Notes: Specifications are subject to change without notice. Please refer to the product data sheet provided by our sales.
<https://www.i-hzlw.com>

70X70X25 mm

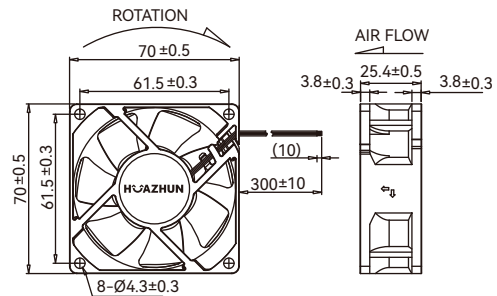


- Housing: Plastic (UL 94V-0)
- Impeller: Plastic (UL 94V-0)
- Bearing: Ball bearings
- Control Options: +/-/FG/PWM
- Weight: 75 g

■ Air Flow-Static Pressure Characteristics



■ Dimensions Drawing (mm)



Model No.	Rated Voltage VDC	Operating Voltage Range VDC	Operating Temp. °C	Speed RPM	Input Current Amp	Input Power Watts	Maximum Air Flow		Maximum Air Pressure		Noise @1M dB(A)
							CFM	m ³ /min	inH ₂ O	mmH ₂ O	
① A170251M B40N10N0	12	7~13.8	-10~70	8400	1.223	14.70	80.30	2.27	1.05	26.63	54.4
② A170251M B40N20N0	12	7~13.8	-10~70	6500	0.567	6.80	62.10	1.76	0.63	15.94	48.8
③ A170251M B40N40N0	12	7~13.8	-10~70	5600	0.342	4.10	53.80	1.52	0.48	12.31	44.7
④ A170251M B40N50N0	12	7~13.8	-10~70	5000	0.267	3.20	47.70	1.35	0.39	9.89	41.2
⑤ A170251M B40N60N0	12	7~13.8	-10~70	4300	0.183	2.20	41.10	1.16	0.30	7.50	36.1
⑥ A170251M B40N70N0	12	7~13.8	-10~70	3700	0.120	1.43	34.80	0.99	0.22	5.58	32.8
⑦ A170251M B40N80N0	12	7~13.8	-10~70	3200	0.092	1.10	30.00	0.85	0.17	4.22	29.6
⑧ A170251M B40N90N0	12	7~13.8	-10~70	2400	0.043	0.51	22.40	0.63	0.10	2.46	21.2
① A170252M B40N10N0	24	14~27.6	-10~70	8400	0.611	14.70	80.30	2.27	1.05	26.63	54.4
② A170252M B40N20N0	24	14~27.6	-10~70	6500	0.283	6.80	62.10	1.76	0.63	15.94	48.8
③ A170252M B40N40N0	24	14~27.6	-10~70	5600	0.171	4.10	53.80	1.52	0.48	12.31	44.7
④ A170252M B40N50N0	24	14~27.6	-10~70	5000	0.133	3.20	47.70	1.35	0.39	9.89	41.2
⑤ A170252M B40N60N0	24	14~27.6	-10~70	4300	0.092	2.20	41.10	1.16	0.30	7.50	36.1
⑥ A170252M B40N70N0	24	14~27.6	-10~70	3700	0.060	1.43	34.80	0.99	0.22	5.58	32.8
⑦ A170252M B40N80N0	24	14~27.6	-10~70	3200	0.046	1.10	30.00	0.85	0.17	4.22	29.6
⑧ A170252M B40N90N0	24	14~27.6	-10~70	2400	0.021	0.51	22.40	0.63	0.10	2.46	21.2

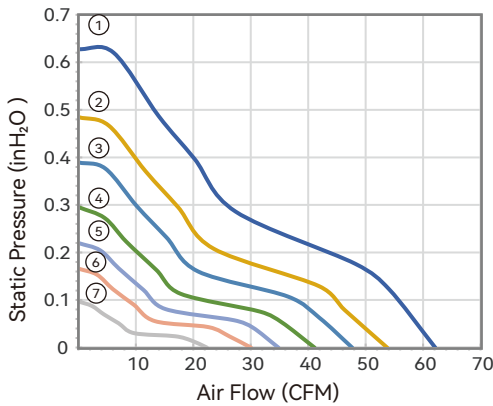
Notes: Specifications are subject to change without notice. Please refer to the product data sheet provided by our sales.
<https://www.i-hzlw.com>

70X70X25 mm

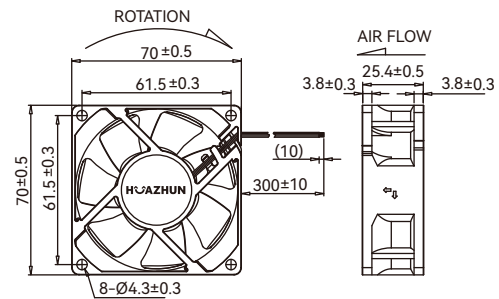


- Housing: Plastic (UL 94V-0)
- Impeller: Plastic (UL 94V-0)
- Bearing: Hydraulic bearings
- Control Options: +/-/FG/PWM
- Weight: 75 g

■ Air Flow-Static Pressure Characteristics



■ Dimensions Drawing (mm)



Model No.	Rated Voltage VDC	Operating Voltage Range VDC	Operating Temp. °C	Speed RPM	Input Current Amp	Input Power Watts	Maximum Air Flow		Maximum Air Pressure		Noise @1M dB(A)
							CFM	m ³ /min	inH ₂ O	mmH ₂ O	
① A170251M H40N20N0	12	7~13.8	-10~70	6500	0.567	6.80	62.10	1.76	0.63	15.94	48.8
② A170251M H40N40N0	12	7~13.8	-10~70	5600	0.342	4.10	53.80	1.52	0.48	12.31	44.7
③ A170251M H40N50N0	12	7~13.8	-10~70	5000	0.267	3.20	47.70	1.35	0.39	9.89	41.2
④ A170251M H40N60N0	12	7~13.8	-10~70	4300	0.183	2.20	41.10	1.16	0.30	7.50	36.1
⑤ A170251M H40N70N0	12	7~13.8	-10~70	3700	0.120	1.43	34.80	0.99	0.22	5.58	32.8
⑥ A170251M H40N80N0	12	7~13.8	-10~70	3200	0.092	1.10	30.00	0.85	0.17	4.22	29.6
⑦ A170251M H40N90N0	12	7~13.8	-10~70	2400	0.043	0.51	22.40	0.63	0.10	2.46	21.2
① A170252M H40N20N0	24	14~27.6	-10~70	6500	0.283	6.80	62.10	1.76	0.63	15.94	48.8
② A170252M H40N40N0	24	14~27.6	-10~70	5600	0.171	4.10	53.80	1.52	0.48	12.31	44.7
③ A170252M H40N50N0	24	14~27.6	-10~70	5000	0.133	3.20	47.70	1.35	0.39	9.89	41.2
④ A170252M H40N60N0	24	14~27.6	-10~70	4300	0.092	2.20	41.10	1.16	0.30	7.50	36.1
⑤ A170252M H40N70N0	24	14~27.6	-10~70	3700	0.060	1.43	34.80	0.99	0.22	5.58	32.8
⑥ A170252M H40N80N0	24	14~27.6	-10~70	3200	0.046	1.10	30.00	0.85	0.17	4.22	29.6
⑦ A170252M H40N90N0	24	14~27.6	-10~70	2400	0.021	0.51	22.40	0.63	0.10	2.46	21.2

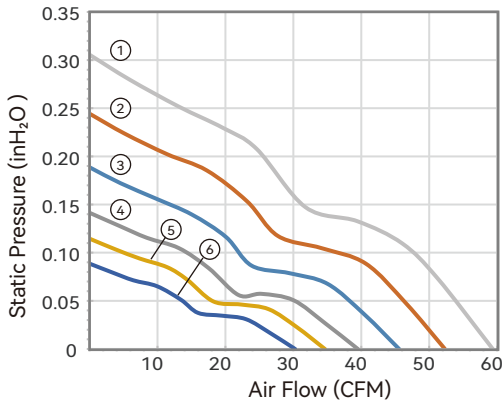
Notes: Specifications are subject to change without notice. Please refer to the product data sheet provided by our sales.
<https://www.i-hzlw.com>

80X80X15 mm

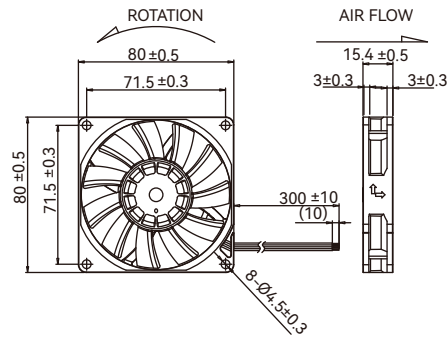


- Housing: Plastic (UL 94V-0)
- Impeller: Plastic (UL 94V-0)
- Bearing: Ball bearings
- Control Options: +/-/FG/PWM

■ Air Flow-Static Pressure Characteristics



■ Dimensions Drawing (mm)



Model No.	Rated Voltage VDC	Operating Voltage Range VDC	Operating Temp. °C	Speed RPM	Input Current Amp	Input Power Watts	Maximum Air Flow		Maximum Air Pressure		Noise @1M dB(A)
							CFM	m ³ /min	inH ₂ O	mmH ₂ O	
① A180151MB 40N20N0	12	6~13.8	-10~70	4500	0.363	4.36	59.36	1.68	0.31	7.76	47.6
② A180151MB 40N30N0	12	6~13.8	-10~70	4000	0.249	2.99	52.29	1.48	0.24	6.21	43.9
③ A180151MB 40N40N0	12	6~13.8	-10~70	3500	0.166	1.99	45.58	1.29	0.19	4.79	38.8
④ A180151MB 40N50N0	12	6~13.8	-10~70	3000	0.105	1.26	39.50	1.12	0.14	3.59	34.6
⑤ A180151MB 40N60N0	12	6~13.8	-10~70	2700	0.079	0.95	34.65	0.98	0.11	2.91	33.0
⑥ A180151MB 40N70N0	12	6~13.8	-10~70	2400	0.056	0.67	30.26	0.86	0.09	2.25	29.1
① A180152MB 40N20N0	24	14~27.6	-10~70	4500	0.182	4.36	59.36	1.68	0.31	7.76	47.6
② A180152MB 40N30N0	24	14~27.6	-10~70	4000	0.124	2.99	52.29	1.48	0.24	6.21	43.9
③ A180152MB 40N40N0	24	14~27.6	-10~70	3500	0.083	1.99	45.58	1.29	0.19	4.79	38.8
④ A180152MB 40N50N0	24	14~27.6	-10~70	3000	0.052	1.26	39.50	1.12	0.14	3.59	34.6
⑤ A180152MB 40N60N0	24	14~27.6	-10~70	2700	0.039	0.95	34.65	0.98	0.11	2.91	33.0
⑥ A180152MB 40N70N0	24	14~27.6	-10~70	2400	0.028	0.67	30.26	0.86	0.09	2.25	33.1

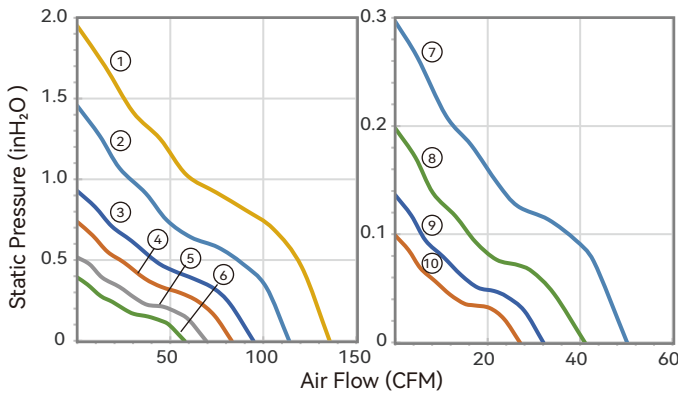
Notes: Specifications are subject to change without notice. Please refer to the product data sheet provided by our sales.
<https://www.i-hzlw.com>

80X80X25 mm

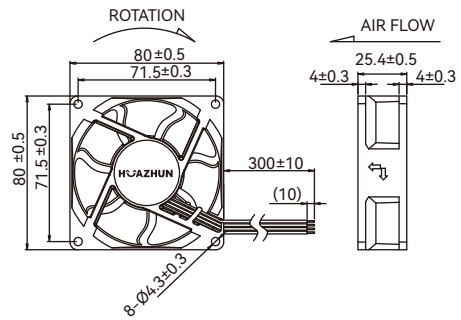


- Housing: Plastic (UL 94V-0)
- Impeller: Plastic (UL 94V-0)
- Bearing: Ball bearings
- Control Options: +/-/FG/PWM
- Weight: 82.5 g

■ Air Flow-Static Pressure Characteristics



■ Dimensions Drawing (mm)



Model No.	Rated Voltage VDC	Operating Voltage Range VDC	Operating Temp. °C	Speed RPM	Input Current Amp	Input Power Watts	Maximum Air Flow		Maximum Air Pressure		Noise @1M dB(A)
							CFM	m ³ /min	inH ₂ O	mmH ₂ O	
① A380251S B40N20N0	12	7~13.8	-10~70	10500	3.100	37.20	138.50	3.92	2.02	51.40	64.3
② A380251S B40N40N0	12	7~13.8	-10~70	9000	1.840	22.12	113.90	3.22	1.45	37.00	62.9
③ A180251H BO4010N0	12	7~13.8	-10~70	7400	1.200	14.40	94.80	2.68	0.93	23.60	58.6
④ A180251H BO4020N0	12	7~13.8	-10~70	6500	0.770	9.27	83.10	2.35	0.74	18.70	53.1
⑤ A180251H BO4030N0	12	7~13.8	-10~70	5500	0.474	5.68	69.30	1.96	0.52	13.10	51.5
⑥ A180251H BO4040N0	12	7~13.8	-10~70	4600	0.264	3.16	57.70	1.63	0.39	10.00	43.3
⑦ A180251M BO4050N0	12	7~13.8	-10~70	4000	0.198	2.38	50.20	1.42	0.30	7.50	39.5
⑧ A180251M BO4060N0	12	7~13.8	-10~70	3200	0.110	1.33	41.00	1.16	0.20	5.00	33.5
⑨ A180251M BO4070N0	12	7~13.8	-10~70	2600	0.060	0.72	32.00	0.91	0.14	3.50	28.3
⑩ A180251M BO4080N0	12	7~13.8	-10~70	2200	0.044	0.52	27.00	0.76	0.10	2.50	24.0

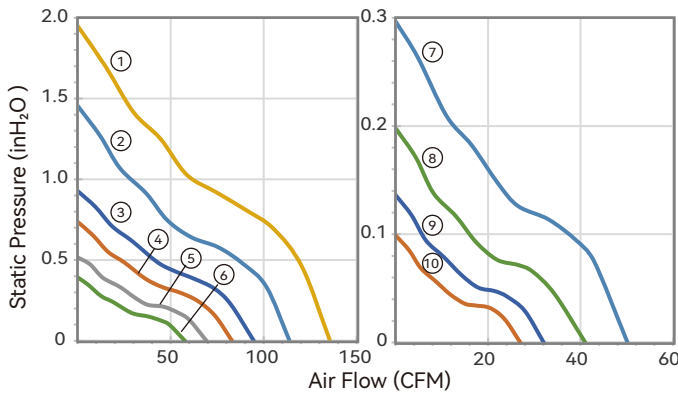
Notes: Specifications are subject to change without notice. Please refer to the product data sheet provided by our sales.
<https://www.i-hzlw.com>

80X80X25 mm

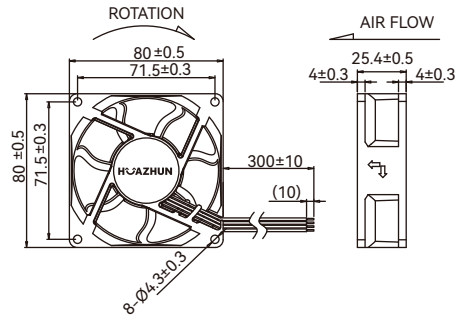


- Housing: Plastic (UL 94V-0)
- Impeller: Plastic (UL 94V-0)
- Bearing: Ball bearings
- Control Options: +/-/FG/PWM
- Weight: 82.5 g

■ Air Flow-Static Pressure Characteristics



■ Dimensions Drawing (mm)



Model No.	Rated Voltage VDC	Operating Voltage Range VDC	Operating Temp. °C	Speed RPM	Input Current Amp	Input Power Watts	Maximum Air Flow		Maximum Air Pressure		Noise @1M dB(A)
							CFM	m ³ /min	inH ₂ O	mmH ₂ O	
① A180252H B40N00N0	24	14~27.6	-10~70	10500	1.550	37.20	138.50	3.92	2.02	51.40	64.3
② A180252H B40N10N0	24	14~27.6	-10~70	9000	0.920	22.12	113.90	3.22	1.45	37.00	62.9
③ A180252H B40N20N0	24	14~27.6	-10~70	7400	0.600	14.40	94.80	2.68	0.93	23.60	58.6
④ A180252H B40N30N0	24	14~27.6	-10~70	6500	0.386	9.27	83.10	2.35	0.74	18.70	53.1
⑤ A180252H B40N40N0	24	14~27.6	-10~70	5500	0.237	5.68	69.30	1.96	0.52	13.10	51.5
⑥ A180252H B40N50N0	24	14~27.6	-10~70	4600	0.132	3.16	57.70	1.63	0.39	10.00	43.3
⑦ A180252H B40N60N0	24	14~27.6	-10~70	4000	0.099	2.38	50.20	1.42	0.30	7.50	39.5
⑧ A180252H B40N70N0	24	14~27.6	-10~70	3200	0.055	1.33	41.00	1.16	0.20	5.00	33.5
⑨ A180252H B40N80N0	24	14~27.6	-10~70	2600	0.030	0.72	32.00	0.91	0.14	3.50	28.3
⑩ A180252H B40N90N0	24	14~27.6	-10~70	2200	0.022	0.52	27.00	0.76	0.10	2.50	24.0

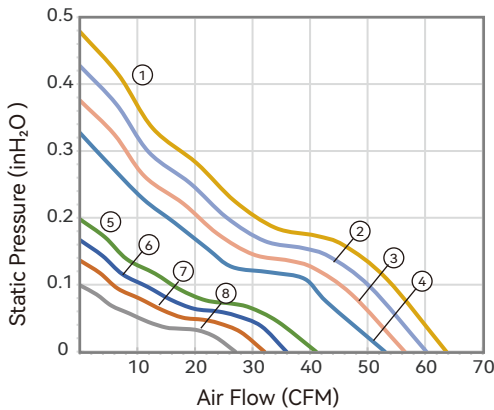
Notes: Specifications are subject to change without notice. Please refer to the product data sheet provided by our sales.
<https://www.i-hzlw.com>

80X80X25 mm

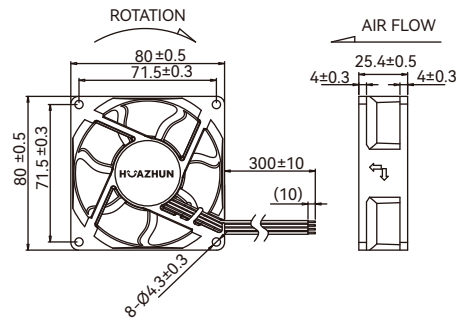


- Housing: Plastic (UL 94V-0)
- Impeller: Plastic (UL 94V-0)
- Bearing: Hydraulic bearings
- Control Options: +/-/FG/PWM
- Weight: 82.5 g

■ Air Flow-Static Pressure Characteristics



■ Dimensions Drawing (mm)



Model No.	Rated Voltage VDC	Operating Voltage Range VDC	Operating Temp. °C	Speed RPM	Input Current Amp	Input Power Watts	Maximum Air Flow		Maximum Air Pressure		Noise @1M dB(A)
							CFM	m ³ /min	inH ₂ O	mmH ₂ O	
① A180251H HO4010N0	12	7~13.8	-10~70	5300	0.500	6.00	63.70	1.80	0.48	12.10	47.6
② A180251H HO4020N0	12	7~13.8	-10~70	4800	0.371	4.46	60.20	1.70	0.43	10.90	44.5
③ A180251H HO4030N0	12	7~13.8	-10~70	4500	0.306	3.67	56.40	1.60	0.38	9.50	42.5
④ A180251H HO4040N0	12	7~13.8	-10~70	4200	0.249	2.99	53.00	1.50	0.33	8.30	41.0
⑤ A180251H HO4050N0	12	7~13.8	-10~70	3200	0.185	2.22	41.00	1.16	0.20	5.00	32.9
⑥ A180251H HO4060N0	12	7~13.8	-10~70	2900	0.092	1.10	35.90	1.02	0.17	4.20	29.8
⑦ A180251H HO4070N0	12	7~13.8	-10~70	2600	0.065	0.78	32.00	0.91	0.14	3.50	27.3
⑧ A180251H HO4080N0	12	7~13.8	-10~70	2200	0.042	0.50	27.00	0.76	0.10	2.50	23.0
① A180252H H40N10N0	24	14~27.6	-10~70	5300	0.250	6.00	63.70	1.80	0.48	12.10	47.6
② A180252H H40N20N0	24	14~27.6	-10~70	4800	0.186	4.46	60.20	1.70	0.43	10.90	44.5
③ A180252H H40N30N0	24	14~27.6	-10~70	4500	0.153	3.67	56.40	1.60	0.38	9.50	42.5
④ A180252H H40N40N0	24	14~27.6	-10~70	4200	0.124	2.99	50.20	1.42	0.33	8.30	41.0
⑤ A180252H H40N50N0	24	14~27.6	-10~70	3200	0.093	2.22	41.00	1.16	0.20	5.00	32.9
⑥ A180252H H40N60N0	24	14~27.6	-10~70	2900	0.046	1.10	35.90	1.02	0.17	4.20	29.8
⑦ A180252H H40N70N0	24	14~27.6	-10~70	2600	0.033	0.78	32.00	0.91	0.14	3.50	27.3
⑧ A180252H H40N80N0	24	14~27.6	-10~70	2200	0.021	0.50	27.00	0.76	0.10	2.50	23.0

Notes: Specifications are subject to change without notice. Please refer to the product data sheet provided by our sales.
<https://www.i-hzlw.com>

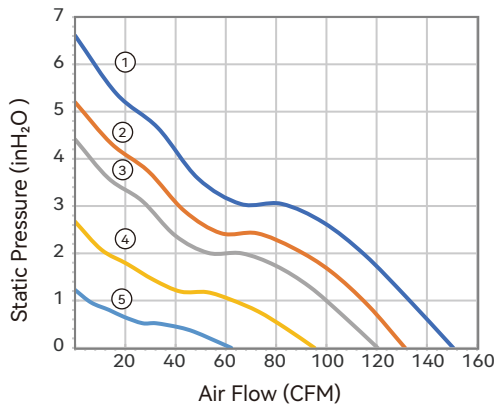
80X80X38 mm

High Static Pressure

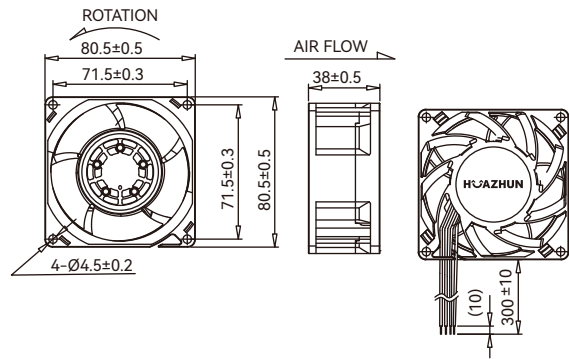


- Housing: Plastic (UL 94V-0)
- Impeller: Plastic (UL 94V-0)
- Bearing: Ball bearings
- Control Options: +/-/FG/PWM
- Weight: 230 g
- Lead Wires : UL10368 AWG22 OR Equivalent

■ Air Flow-Static Pressure Characteristics



■ Dimensions Drawing (mm)



Model No.	Rated Voltage VDC	Operating Voltage Range VDC	Operating Temp. °C	Speed RPM	Input Current Amp	Input Power Watts	Maximum Air Flow		Maximum Air Pressure		Noise @1M dB(A)
							CFM	m ³ /min	inH ₂ O	mmH ₂ O	
① A380381H BQ4010	12	10.8~13.2	-10~70	18000	5.900	70.80	150.50	4.30	6.61	167.9	76.1
② A380381H BQ4020	12	10.8~13.2	-10~70	16000	4.400	52.80	131.30	3.70	5.20	132.0	73.2
③ A180381H BQ4030P0	12	6.5~13.2	-10~70	14500	3.350	40.20	120.40	3.40	4.41	112.0	71.9
④ A180381H BQ4050P0	12	6.5~13.2	-10~70	11500	1.560	18.70	95.20	2.70	2.67	67.8	65.0
⑤ A180381H BQ4070P0	12	6.5~13.2	-10~70	7500	0.510	6.09	62.10	1.80	1.14	31.1	55.0
① A380382H BQ4010	24	21.6~26.4	-10~70	18000	2.980	71.40	150.50	4.30	6.61	167.9	76.1
② A380382H BQ4020	24	21.6~26.4	-10~70	16000	2.250	54.00	131.30	3.70	5.20	132.0	73.2
③ A180382M B40N30P0	24	21.6~26.4	-10~70	14500	1.680	40.20	120.40	3.40	4.41	112.0	71.9
④ A180382M B40N50P0	24	21.6~26.4	-10~70	11500	0.830	19.90	95.20	2.70	2.67	67.8	65.0
⑤ A180382M B40N70P0	24	21.6~26.4	-10~70	7500	0.250	6.09	62.10	1.80	1.14	31.1	55.0
① A180384H B40N10P0	48	36~57	-10~70	18000	1.490	71.40	150.50	4.30	6.61	167.9	76.1
② A180384H B40N20P0	48	36~57	-10~70	16000	1.130	54.00	131.30	3.70	5.20	132.0	73.2
③ A180384H B40N30P0	48	36~57	-10~70	14500	0.840	40.20	120.40	3.40	4.41	112.0	71.9
④ A180384H B40N50P0	48	36~57	-10~70	11500	0.420	19.90	95.20	2.70	2.67	67.8	65.0
⑤ A180384H B40N70P0	48	36~57	-10~70	7500	0.130	6.09	62.10	1.80	1.14	31.1	55.0

Notes: Specifications are subject to change without notice. Please refer to the product data sheet provided by our sales.
<https://www.i-hzlw.com>

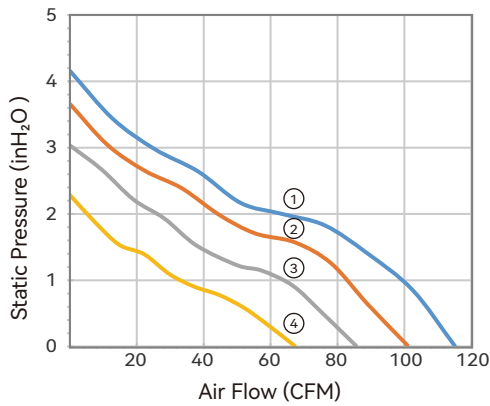
80X80X38 mm

Low Noise

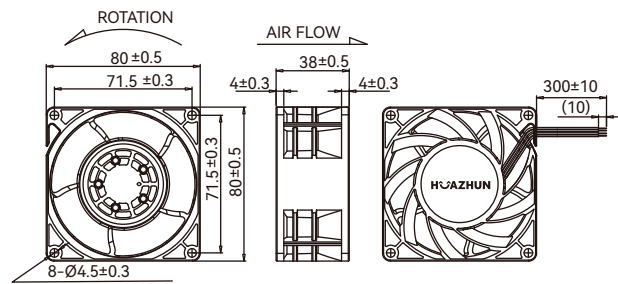


- Housing: Plastic (UL 94V-0)
- Impeller: Plastic (UL 94V-0)
- Bearing: Ball bearings
- Control Options: +/-/FG/PWM
- Weight: 230 g
- Lead Wires : UL10368 AWG22 OR Equivalent

■ Air Flow-Static Pressure Characteristics



■ Dimensions Drawing (mm)



Model No.	Rated Voltage VDC	Operating Voltage Range VDC	Operating Temp. °C	Speed RPM	Input Current Amp	Input Power Watts	Maximum Air Flow		Maximum Air Pressure		Noise @1M dB(A)
							CFM	m ³ /min	inH ₂ O	mmH ₂ O	
① A380381HBQ 4N10	12	10.8~13.2	-10~70	16000	2.377	28.52	115.10	3.26	4.15	105.56	70.8
② A380381HBQ 4N20	12	10.8~13.2	-10~70	14000	1.653	19.83	100.89	2.86	3.65	92.87	67.9
③ A380381HBQ 4N30	12	10.8~13.2	-10~70	12000	1.104	13.25	85.53	2.42	3.03	77.00	64.5
④ A380381HBQ 4N40	12	10.8~13.2	-10~70	10000	0.707	8.48	67.17	1.90	2.28	58.00	60.6
① A380382HBQ 4N10	24	21.6~26.4	-10~70	16000	1.188	28.52	115.10	3.26	4.15	105.56	70.8
② A380382HBQ 4N20	24	21.6~26.4	-10~70	14000	0.826	19.83	100.89	2.86	3.65	92.87	67.9
③ A380382HBQ 4N30	24	21.6~26.4	-10~70	12000	0.552	13.25	85.53	2.42	3.03	77.00	64.5
④ A380382HBQ 4N40	24	21.6~26.4	-10~70	10000	0.353	8.48	67.17	1.90	2.28	58.00	60.6

Notes: Specifications are subject to change without notice. Please refer to the product data sheet provided by our sales.
<https://www.i-hzlw.com>

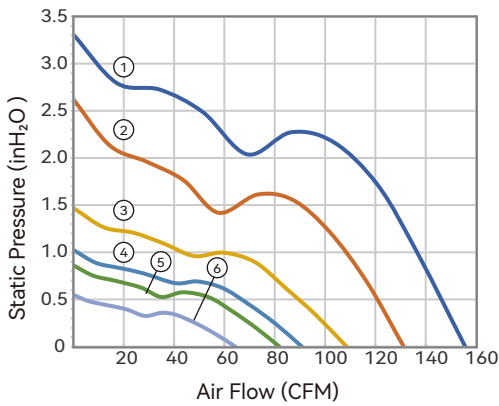
80X80X38 mm

High Air Flow

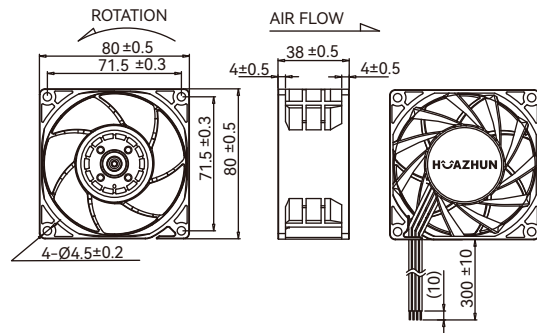


- Housing: Plastic (UL 94V-0)
- Impeller: Plastic (UL 94V-0)
- Bearing: Ball bearings
- Control Options: +/-/FG/PWM
- Weight: 260 g
- Lead Wires : UL10368 AWG22 OR Equivalent

■ Air Flow-Static Pressure Characteristics



■ Dimensions Drawing (mm)



Model No.	Rated Voltage VDC	Operating Voltage Range VDC	Operating Temp. °C	Speed RPM	Input Current Amp	Input Power Watts	Maximum Air Flow		Maximum Air Pressure		Noise @1M dB(A)
							CFM	m ³ /min	inH ₂ O	mmH ₂ O	
① A380381H BQ4Q20	12	10.8~13.2	-10~70	14000	4.410	52.90	155.70	4.40	3.30	84.00	68.1
② A380381H BQ4Q30	12	10.8~13.2	-10~70	12000	2.770	33.30	131.30	3.70	2.62	66.60	65.1
③ A180381H B40N20Q0	12	10.8~13.2	-10~70	9900	2.000	24.00	108.60	3.10	1.47	37.30	61.5
④ A180381H B40N30Q0	12	10.8~13.2	-10~70	8300	1.170	14.00	90.80	2.60	1.02	26.00	55.0
⑤ A180381H B40N50Q0	12	10.8~13.2	-10~70	7500	0.960	11.50	81.80	2.30	0.86	21.90	53.0
⑥ A180381H B40N70Q0	12	10.8~13.2	-10~70	5900	0.360	4.30	64.30	1.80	0.55	13.90	46.1
① A380382H BQ4Q20	24	21.6~26.4	-10~70	14000	2.290	55.00	155.70	4.40	3.30	84.00	68.1
② A380382H BQ4Q30	24	21.6~26.4	-10~70	12000	1.390	33.30	131.30	3.70	2.62	66.60	65.1
③ A380382H BQ4Q50	24	21.6~26.4	-10~70	9900	1.000	24.00	108.60	3.10	1.47	37.30	61.5
④ A380382H BQ4Q60	24	21.6~26.4	-10~70	8300	0.580	14.00	90.80	2.60	1.02	26.00	55.0
⑤ A380382H BQ4Q70	24	21.6~26.4	-10~70	7500	0.480	11.50	81.80	2.30	0.86	21.90	53.0
⑥ A380382H BQ4Q80	24	21.6~26.4	-10~70	5900	0.180	4.30	64.30	1.80	0.55	13.90	46.1

Notes: Specifications are subject to change without notice. Please refer to the product data sheet provided by our sales.
<https://www.i-hzlw.com>

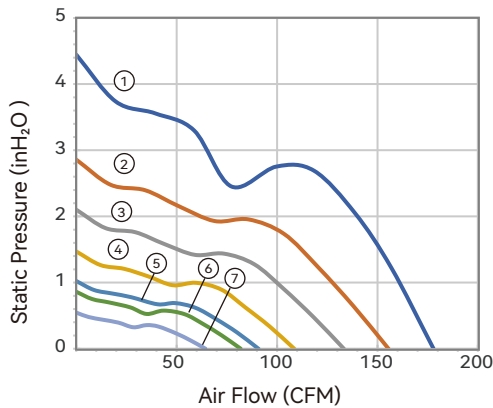
80X80X38 mm

High Air Flow

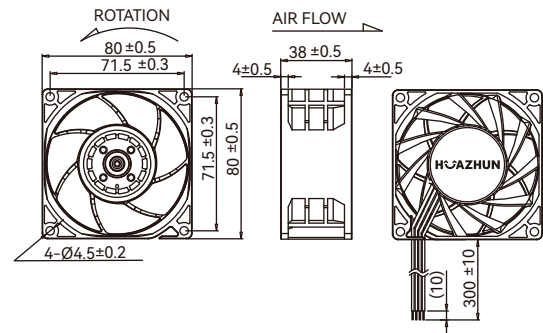


- Housing: Plastic (UL 94V-0)
- Impeller: Plastic (UL 94V-0)
- Bearing: Ball bearings
- Control Options: +/-/FG/PWM
- Weight: 230 g
- Lead Wires : UL10368 AWG22 OR Equivalent

■ Air Flow-Static Pressure Characteristics



■ Dimensions Drawing (mm)



Model No.	Rated Voltage VDC	Operating Voltage Range VDC	Operating Temp. °C	Speed RPM	Input Current Amp	Input Power Watts	Maximum Air Flow		Maximum Air Pressure		Noise @1M dB(A)
							CFM	m ³ /min	inH ₂ O	mmH ₂ O	
① A180384H B40N10Q0	48	36~60	-10~70	16000	1.640	78.90	178.00	5.00	4.44	113.00	72.5
② A180384H B40N20Q0	48	36~60	-10~70	14000	1.140	55.00	155.60	4.40	2.86	72.70	68.1
③ A180384H B40N30Q0	48	36~60	-10~70	12000	0.690	33.30	133.30	3.80	2.10	53.40	65.1
④ A180384H B40N50Q0	48	36~60	-10~70	9900	0.500	24.00	108.60	3.10	1.47	37.30	61.5
⑤ A180384H B40N60Q0	48	36~60	-10~70	8300	0.290	14.00	90.80	2.60	1.02	26.00	55.0
⑥ A180384H B40N70Q0	48	36~60	-10~70	7500	0.240	11.50	81.80	2.30	0.86	21.90	53.0
⑦ A180384H B40N80Q0	48	36~60	-10~70	5900	0.090	4.30	64.30	1.80	0.55	13.90	46.1

Notes: Specifications are subject to change without notice. Please refer to the product data sheet provided by our sales.
<https://www.i-hzlw.com>

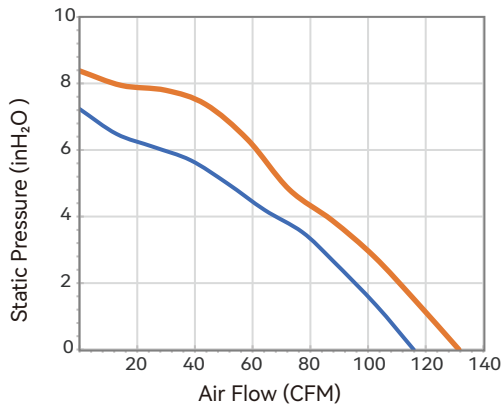
80X80X56 mm

Dual Fan

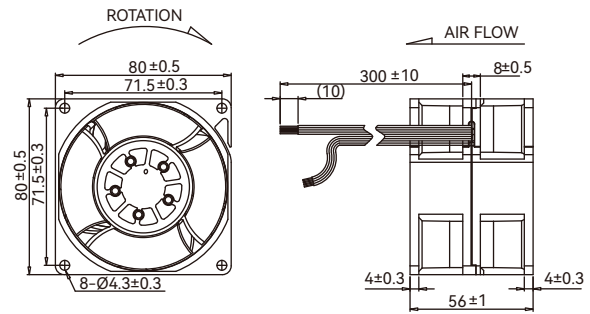


- Housing: Plastic (UL 94V-0)
- Impeller: Plastic (UL 94V-0)
- Bearing: Ball bearings
- Control Options: +/-/FG/PWM
- Weight: 315 g
- Lead Wires : UL10368 AWG26 OR Equivalent

■ Air Flow-Static Pressure Characteristics



■ Dimensions Drawing (mm)



Model No.	Rated Voltage VDC	Operating Voltage Range VDC	Operating Temp. °C	Speed RPM		Input Current Amp	Input Power Watts	Maximum Air Flow		Maximum Air Pressure		Noise @1M dB(A)
								CFM	m ³ /min	inH ₂ O	mmH ₂ O	
① D380561S BP8010N0	12	10.8~13.2	-10~70	18200	17200	5.70	68.50	132	3.72	8.38	212.90	84.1
② D380561S BP8020N0	12	10.8~13.2	-10~70	15300	17000	4.10	49.00	116	3.28	7.23	183.80	83.1
① D380564S B80N10N0	48	36~57	-10~70	18200	17200	1.50	70.50	132	3.72	8.38	212.90	84.1
② D380564S B80N20N0	48	36~57	-10~70	15300	17000	1.10	50.50	116	3.28	7.23	183.80	83.1

Notes: Specifications are subject to change without notice. Please refer to the product data sheet provided by our sales.
<https://www.i-hzlw.com>

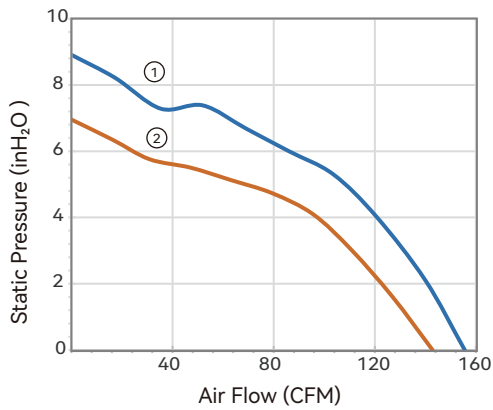
80X80X80 mm

Dual Fan

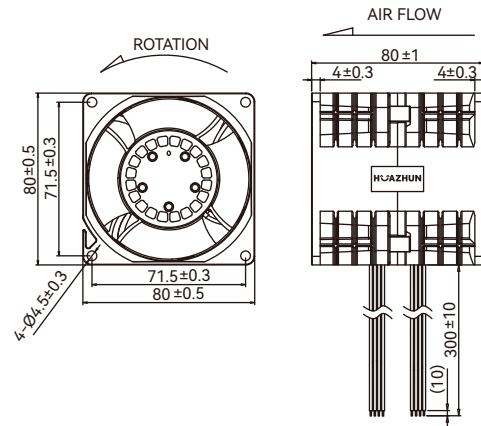


- Housing: Plastic (UL 94V-0)
- Impeller: Plastic (UL 94V-0)
- Bearing: Ball bearings
- Control Options: +/-/FG/PWM
- Weight: 480 g
- Lead Wires : UL10368 AWG26 OR Equivalent

■ Air Flow-Static Pressure Characteristics



■ Dimensions Drawing (mm)



Model No.	Rated Voltage VDC	Operating Voltage Range VDC	Operating Temp. °C	Speed RPM		Input Current Amp	Input Power Watts	Maximum Air Flow		Maximum Air Pressure		Noise @1M dB(A)
								CFM	m ³ /min	inH ₂ O	mmH ₂ O	
① D380801S BP8010N0	12	10.8~13.2	-10~70	17800	13300	9.00	107.40	155.50	4.40	8.91	226.30	84.5
② D380801S BP8020N0	12	10.8~13.2	-10~70	15500	13500	6.80	81.70	142.80	4.00	6.95	176.60	83.0
① D380804S B80N10N0	48	36~57	-10~70	17800	13300	2.20	107.40	155.50	4.40	8.91	226.30	84.5
② D380804S B80N20N0	48	36~57	-10~70	15500	13500	1.70	81.70	142.80	4.00	6.95	176.60	83.0

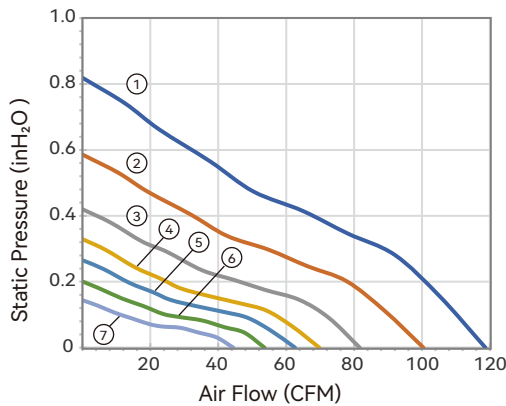
Notes: Specifications are subject to change without notice. Please refer to the product data sheet provided by our sales.
<https://www.i-hzlw.com>

92X92X25 mm

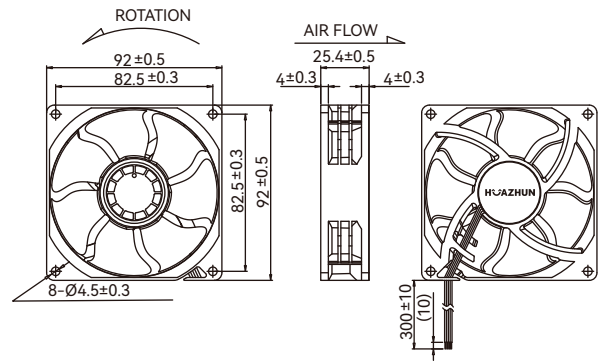


- Housing: Plastic (UL 94V-0)
- Impeller: Plastic (UL 94V-0)
- Bearing: Ball bearings
- Control Options: +/-/FG/PWM
- Weight: 103 g

■ Air Flow-Static Pressure Characteristics



■ Dimensions Drawing (mm)



Model No.	Rated Voltage VDC	Operating Voltage Range VDC	Operating Temp. °C	Speed RPM	Input Current Amp	Input Power Watts	Maximum Air Flow		Maximum Air Pressure		Noise @1M dB(A)
							CFM	m ³ /min	inH ₂ O	mmH ₂ O	
① A192251S B40N20N0	12	7~13.8	-10~70	6500	1.459	17.50	118.70	3.36	0.82	20.80	57.8
② A192251S B40N30N0	12	7~13.8	-10~70	5500	0.884	10.60	100.40	2.84	0.59	14.90	51.0
③ A192251H BO4040N0	12	7~13.8	-10~70	4500	0.424	5.10	81.70	2.31	0.42	10.70	46.5
④ A192251H BO4050N0	12	7~13.8	-10~70	3900	0.272	3.30	69.80	1.97	0.33	8.40	42.0
⑤ A192251H BO4060N0	12	7~13.8	-10~70	3500	0.197	2.40	62.60	1.77	0.27	6.70	38.4
⑥ A192251H BO4070N0	12	7~13.8	-10~70	3000	0.133	1.60	53.60	1.52	0.20	5.10	36.0
⑦ A192251H BO4080N0	12	7~13.8	-10~70	2500	0.090	1.10	44.60	1.26	0.13	3.30	32.0
① A192252M B40N20N0	24	14~27.6	-10~70	6500	0.729	17.50	118.70	3.36	0.82	20.80	57.8
② A192252M B40N30N0	24	14~27.6	-10~70	5500	0.442	10.60	100.40	2.84	0.59	14.90	51.0
③ A192252M B40N40N0	24	14~27.6	-10~70	4500	0.212	5.10	81.70	2.31	0.42	10.70	46.5
④ A192252M B40N50N0	24	14~27.6	-10~70	3900	0.136	3.30	69.80	1.97	0.33	8.40	42.0
⑤ A192252M B40N60N0	24	14~27.6	-10~70	3500	0.098	2.40	62.60	1.77	0.27	6.70	38.4
⑥ A192252M B40N70N0	24	14~27.6	-10~70	3000	0.066	1.60	53.60	1.52	0.20	5.10	36.0
⑦ A192252M B40N80N0	24	14~27.6	-10~70	2500	0.045	1.10	44.60	1.26	0.13	3.30	32.0

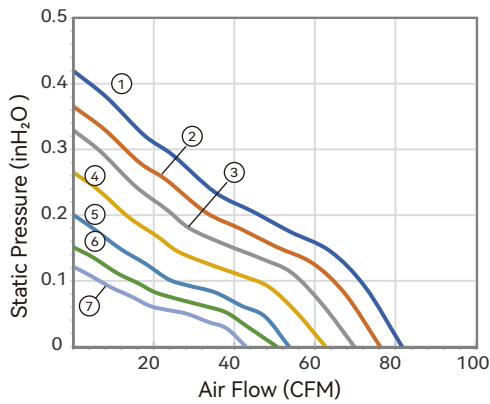
Notes: Specifications are subject to change without notice. Please refer to the product data sheet provided by our sales.
<https://www.i-hzlw.com>

92X92X25 mm

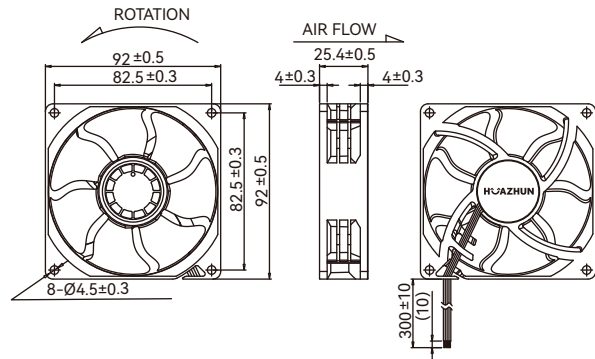


- Housing: Plastic (UL 94V-0)
- Impeller: Plastic (UL 94V-0)
- Bearing: Hydraulic bearings
- Control Options: +/-/FG/PWM
- Weight: 103 g

■ Air Flow-Static Pressure Characteristics



■ Dimensions Drawing (mm)



Model No.	Rated Voltage VDC	Operating Voltage Range VDC	Operating Temp. °C	Speed RPM	Input Current Amp	Input Power Watts	Maximum Air Flow		Maximum Air Pressure		Noise @1M dB(A)
							CFM	m ³ /min	inH ₂ O	mmH ₂ O	
① A192251H H40N30N0	12	6.5~13.2	-10~70	4500	0.475	5.70	81.70	2.31	0.42	10.70	45.5
② A192251H H40N40N0	12	6.5~13.2	-10~70	4200	0.417	5.00	76.20	2.16	0.37	9.30	43.6
③ A192251H H40N50N0	12	6.5~13.2	-10~70	3900	0.367	4.40	69.80	1.97	0.33	8.40	41.4
④ A192251H H40N60N0	12	6.5~13.2	-10~70	3500	0.265	3.20	62.60	1.77	0.27	6.70	38.4
⑤ A192251H H40N70N0	12	6.5~13.2	-10~70	3000	0.167	2.00	53.60	1.52	0.20	5.10	34.0
⑥ A192251H H40N80N0	12	6.5~13.2	-10~70	2700	0.122	1.50	50.50	1.43	0.16	4.10	32.0
⑦ A192251H H40N90N0	12	6.5~13.2	-10~70	2400	0.090	1.10	42.80	1.21	0.12	3.10	28.0
① A192252M H40N30N0	24	14~27.6	-10~70	4500	0.238	5.70	81.70	2.31	0.42	10.70	45.5
② A192252M H40N40N0	24	14~27.6	-10~70	4200	0.208	5.00	76.20	2.16	0.37	9.30	43.6
③ A192252M H40N50N0	24	14~27.6	-10~70	3900	0.183	4.40	69.80	1.97	0.33	8.40	41.4
④ A192252M H40N60N0	24	14~27.6	-10~70	3500	0.133	3.20	62.60	1.77	0.27	6.70	38.4
⑤ A192252M H40N70N0	24	14~27.6	-10~70	3000	0.083	2.00	53.60	1.52	0.20	5.10	34.0
⑥ A192252M H40N80N0	24	14~27.6	-10~70	2700	0.061	1.50	50.50	1.43	0.16	4.10	32.0
⑦ A192252M H40N90N0	24	14~27.6	-10~70	2400	0.045	1.10	42.80	1.21	0.12	3.10	28.0

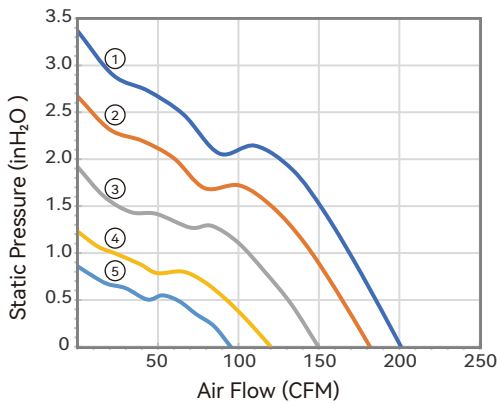
Notes: Specifications are subject to change without notice. Please refer to the product data sheet provided by our sales.
<https://www.i-hzlw.com>

92X92X38 mm

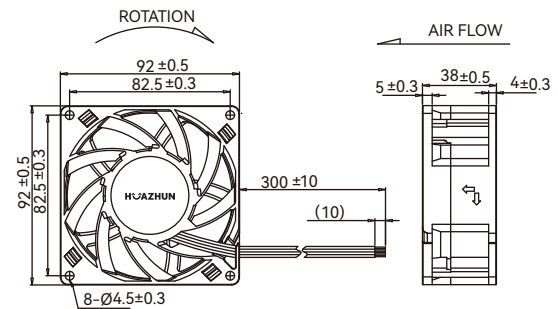


- Housing: Plastic (UL 94V-0)
- Impeller: Plastic (UL 94V-0)
- Bearing: Ball bearings
- Control Options: +/-/FG/PWM
- Weight: 260 g
- Lead Wires : UL10368 AWG22 OR Equivalent

■ Air Flow-Static Pressure Characteristics



■ Dimensions Drawing (mm)



Model No.	Rated Voltage VDC	Operating Voltage Range VDC	Operating Temp. °C	Speed RPM	Input Current Amp	Input Power Watts	Maximum Air Flow		Maximum Air Pressure		Noise @1M dB(A)
							CFM	m ³ /min	inH ₂ O	mmH ₂ O	
① A392381H BQ4010	12	10.8~13.2	-10~70	13200	5.61	67.30	201.00	5.70	3.37	85.60	71.9
② A392381H BQ4020	12	10.8~13.2	-10~70	11900	4.10	49.20	181.80	5.10	2.67	67.80	69.0
③ A192381M B40N30N0	12	6.5~13.2	-10~70	10000	2.40	28.80	149.60	4.20	1.92	48.70	62.0
④ A192381M B40N40N0	12	6.5~13.2	-10~70	8000	1.17	14.00	120.20	3.40	1.23	31.20	58.2
⑤ A192381M B40N50N0	12	6.5~13.2	-10~70	6500	0.63	7.50	95.30	2.70	0.86	21.80	52.9
① A392382H B40N10N0	24	21.6~26.4	-10~70	13200	2.81	67.30	201.00	5.70	3.37	85.60	71.9
② A392382H B40N20N0	24	21.6~26.4	-10~70	11900	2.05	49.20	181.80	5.10	2.67	67.80	69.0
③ A192382M BQ4030	24	21.6~26.4	-10~70	10000	1.20	28.80	149.60	4.20	1.92	48.70	62.0
④ A192382M BQ4040	24	21.6~26.4	-10~70	8000	0.58	14.00	120.20	3.40	1.23	31.20	58.2
⑤ A192382M BQ4050	24	21.6~26.4	-10~70	6500	0.31	7.50	95.30	2.70	0.86	21.80	52.9
① A192384H B40N10N0	48	36~57	-10~70	13200	1.40	67.30	201.00	5.70	3.37	85.60	71.9
② A192384H B40N20N0	48	36~57	-10~70	11900	1.03	49.20	181.80	5.10	2.67	67.80	69.0
③ A192384H B40N30N0	48	36~57	-10~70	10000	0.60	28.80	149.60	4.20	1.92	48.70	62.0
④ A192384H B40N40N0	48	36~57	-10~70	8000	0.29	14.00	120.20	3.40	1.23	31.20	58.2
⑤ A192384H B40N50N0	48	36~57	-10~70	6500	0.16	7.50	95.30	2.70	0.86	21.80	52.9

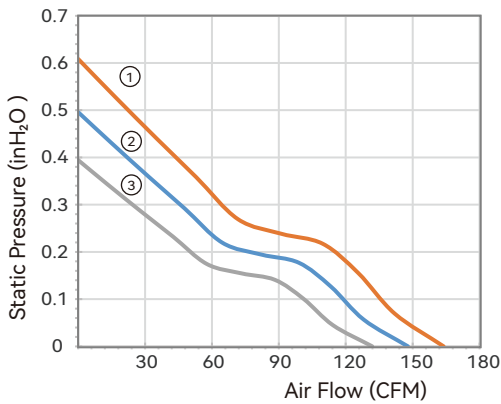
Notes: Specifications are subject to change without notice. Please refer to the product data sheet provided by our sales.
<https://www.i-hzlw.com>

108X108X32 mm

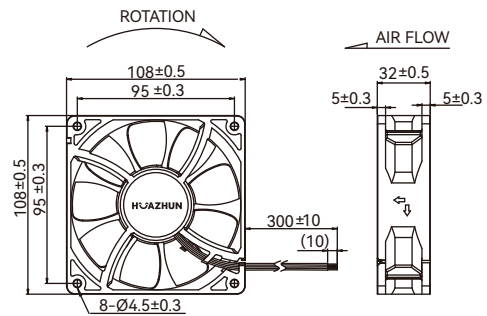


- Housing: Plastic (UL 94V-0)
- Impeller: Plastic (UL 94V-0)
- Bearing: Ball bearings
- Control Options: +/-/FG/PWM

■ Air Flow-Static Pressure Characteristics



■ Dimensions Drawing (mm)



Model No.	Rated Voltage VDC	Operating Voltage Range VDC	Operating Temp. °C	Speed RPM	Input Current Amp	Input Power Watts	Maximum Air Flow		Maximum Air Pressure		Noise @1M dB(A)
							CFM	m ³ /min	inH ₂ O	mmH ₂ O	
① A111321MB 40N50N0	12	7~13.8	-10~70	3800	1.145	13.74	163.89	4.64	0.38	15.46	56.2
② A111321MB 40N60N0	12	7~13.8	-10~70	3700	0.842	10.10	147.90	4.19	0.31	12.59	54.0
③ A111321MB 40N70N0	12	7~13.8	-10~70	2800	0.598	7.17	131.91	3.73	0.27	10.01	51.5
① A111322MB 40N50N0	24	14~27.6	-10~70	3800	0.573	13.74	163.89	4.64	0.38	15.46	56.2
② A111322MB 40N60N0	24	14~27.6	-10~70	3700	0.421	10.10	147.90	4.19	0.31	12.59	54.0
③ A111322MB 40N70N0	24	14~27.6	-10~70	2800	0.299	7.17	131.91	3.73	0.27	10.01	51.5

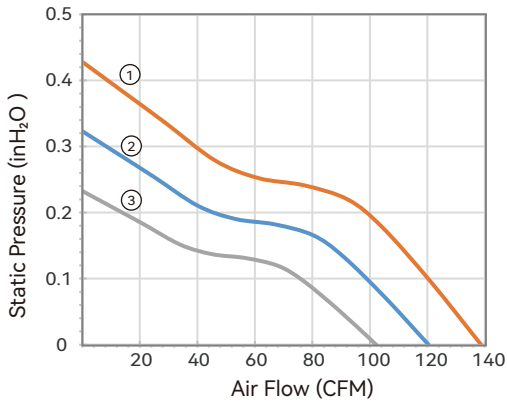
Notes: Specifications are subject to change without notice. Please refer to the product data sheet provided by our sales.
<https://www.i-hzlw.com>

120X120X20 mm

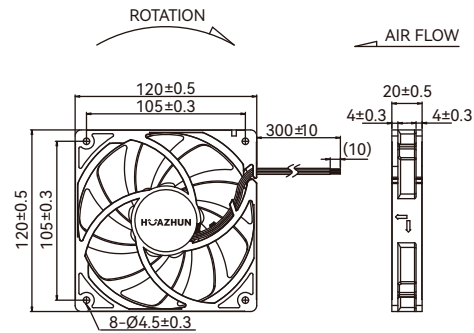


- Housing: Plastic (UL 94V-0)
- Impeller: Plastic (UL 94V-0)
- Bearing: Hydraulic bearings
- Control Options: +/-/FG/PWM

■ Air Flow-Static Pressure Characteristics



■ Dimensions Drawing (mm)



Model No.	Rated Voltage VDC	Operating Voltage Range VDC	Operating Temp. °C	Speed RPM	Input Current Amp	Input Power Watts	Maximum Air Flow		Maximum Air Pressure		Noise @1M dB(A)
							CFM	m ³ /min	inH ₂ O	mmH ₂ O	
① A112201MH 40N30N0	12	7~13.8	-10~70	3800	0.993	11.91	138.67	3.92	0.38	10.87	51.1
② A112201MH 40N40N0	12	7~13.8	-10~70	3300	0.650	7.80	120.42	3.41	0.31	8.20	48.0
③ A112201MH 40N50N0	12	7~13.8	-10~70	2800	0.397	4.76	102.17	2.89	0.27	5.90	44.4
① A112202MH 40N30N0	24	14~27.6	-10~70	3800	0.496	11.91	138.67	3.92	0.38	10.87	51.1
② A112202MH 40N40N0	24	14~27.6	-10~70	3300	0.325	7.80	120.42	3.41	0.31	8.20	48.0
③ A112202MH 40N50N0	24	14~27.6	-10~70	2800	0.198	4.76	102.17	2.89	0.27	5.90	44.4

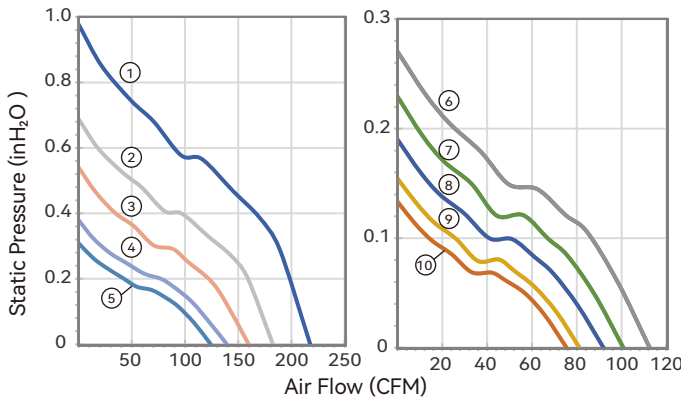
Notes: Specifications are subject to change without notice. Please refer to the product data sheet provided by our sales.
<https://www.i-hzlw.com>

120X120X25 mm

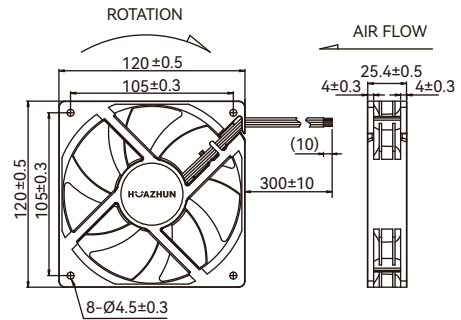


- Housing: Plastic (UL 94V-0)
- Impeller: Plastic (UL 94V-0)
- Bearing: Ball bearings
- Control Options: +/-/FG/PWM
- Weight: 195 g

■ Air Flow-Static Pressure Characteristics



■ Dimensions Drawing (mm)



Model No.	Rated Voltage VDC	Operating Voltage Range VDC	Operating Temp. °C	Speed RPM	Input Current Amp	Input Power Watts	Maximum Air Flow		Maximum Air Pressure		Noise @1M dB(A)
							CFM	m ³ /min	inH ₂ O	mmH ₂ O	
① A112251H B40N00N0	12	7~13.8	-10~70	5600	2.208	26.50	217.70	6.16	0.98	24.80	60.6
② A112251M B40N10N0	12	7~13.8	-10~70	4700	1.305	15.70	182.70	5.17	0.69	17.50	57.2
③ A112251M B40N20N0	12	7~13.8	-10~70	4300	1.040	12.50	159.70	4.52	0.54	13.70	54.2
④ A112251M B40N30N0	12	7~13.8	-10~70	3800	0.667	8.00	139.20	3.94	0.38	9.60	51.0
⑤ A112251M B40N40N0	12	7~13.8	-10~70	3400	0.480	5.80	124.20	3.51	0.31	7.80	48.7
⑥ A112251M B40N50N0	12	7~13.8	-10~70	3100	0.378	4.50	112.40	3.18	0.27	6.90	46.1
⑦ A112251M B40N60N0	12	7~13.8	-10~70	2800	0.273	3.30	100.80	2.85	0.23	5.80	42.5
⑧ A112251M B40N70N0	12	7~13.8	-10~70	2500	0.230	2.80	92.00	2.60	0.19	4.80	39.3
⑨ A112251M B40N80N0	12	7~13.8	-10~70	2200	0.169	2.00	81.20	2.30	0.15	3.90	35.7
⑩ A112251M B40N90N0	12	7~13.8	-10~70	2050	0.143	1.70	75.40	2.13	0.13	3.40	33.7
① A112252M B40N00N0	24	14~27.6	-10~70	5600	1.104	26.50	217.70	6.16	0.98	24.80	60.6
② A112252M B40N10N0	24	14~27.6	-10~70	4700	0.653	15.70	182.70	5.17	0.69	17.50	57.2
③ A112252M B40N20N0	24	14~27.6	-10~70	4300	0.520	12.50	159.70	4.52	0.54	13.70	54.2
④ A112252M B40N30N0	24	14~27.6	-10~70	3800	0.333	8.00	139.20	3.94	0.38	9.60	51.0
⑤ A112252M B40N40N0	24	14~27.6	-10~70	3400	0.240	5.80	124.20	3.51	0.31	7.80	48.7
⑥ A112252M B40N50N0	24	14~27.6	-10~70	3100	0.189	4.50	112.40	3.18	0.27	6.90	46.1
⑦ A112252M B40N60N0	24	14~27.6	-10~70	2800	0.136	3.30	100.80	2.85	0.23	5.80	42.5

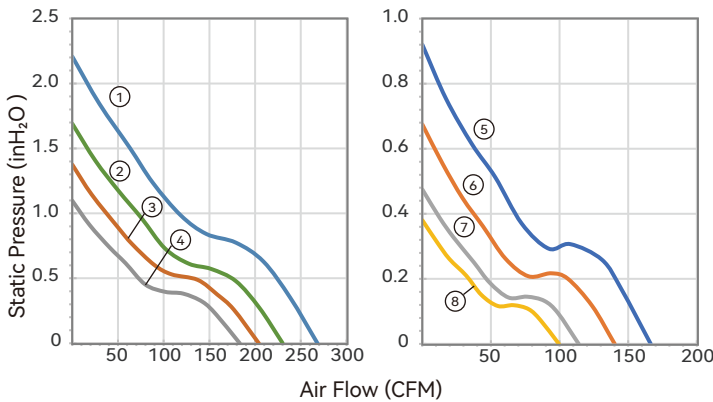
Notes: Specifications are subject to change without notice. Please refer to the product data sheet provided by our sales.
<https://www.i-hzlw.com>

120X120X38 mm

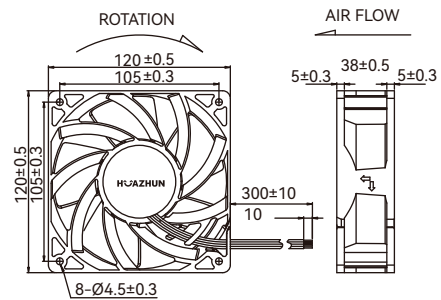


- Housing: Plastic (UL 94V-0)
- Impeller: Plastic (UL 94V-0)
- Bearing: Ball bearings
- Control Options: +/-/FG/PWM
- Weight: 275 g
- Lead Wires : UL10368 AWG26 OR Equivalent

■ Air Flow-Static Pressure Characteristics



■ Dimensions Drawing (mm)



Model No.	Rated Voltage VDC	Operating Voltage Range VDC	Operating Temp. °C	Speed RPM	Input Current Amp	Input Power Watts	Maximum Air Flow		Maximum Air Pressure		Noise @1M dB(A)
							CFM	m ³ /min	inH ₂ O	mmH ₂ O	
① A112381S B40N20N0	12	6~13.2	-10~70	7400	5.91	70.87	268.20	7.59	2.21	56.13	70.2
② A112381S B40N30N0	12	6~13.2	-10~70	6400	3.50	41.94	233.20	6.60	1.68	42.67	67.0
③ A112381S B40N40N0	12	6~13.2	-10~70	5600	2.05	24.60	204.02	5.77	1.38	34.95	63.4
④ A112381H BQ4050N0	12	6~13.2	-10~70	5000	1.51	18.11	183.07	5.18	1.10	27.87	60.8
⑤ A112381H BQ4060N0	12	6~13.2	-10~70	4600	1.12	13.46	166.38	4.71	0.92	23.37	58.4
⑥ A112381H BQ4070N0	12	6~13.2	-10~70	3900	0.69	8.28	140.22	3.97	0.67	17.14	53.6
⑦ A112381H BQ4080N0	12	6~13.2	-10~70	3200	0.43	5.12	113.99	3.23	0.47	12.06	48.4
⑧ A112381H BQ4090N0	12	6~13.2	-10~70	2800	0.32	3.86	99.45	2.81	0.38	9.65	46.9
① A112382S BQ4020N0	24	21.6~26.4	-10~70	7400	2.95	70.87	268.20	7.59	2.21	56.13	70.2
② A112382S BQ4030N0	24	21.6~26.4	-10~70	6400	1.75	41.94	233.20	6.60	1.68	42.67	67.0
③ A112382H BQ4040N0	24	21.6~26.4	-10~70	5600	1.03	24.60	204.02	5.77	1.38	34.95	63.4
④ A112382H BQ4050N0	24	21.6~26.4	-10~70	5000	0.75	18.11	183.07	5.18	1.10	27.87	60.8
⑤ A112382H BQ4060N0	24	21.6~26.4	-10~70	4600	0.56	13.46	166.38	4.71	0.92	23.37	58.4
⑥ A112382H BQ4070N0	24	21.6~26.4	-10~70	3900	0.34	8.28	140.22	3.97	0.67	17.14	53.6
⑦ A112382H BQ4080N0	24	21.6~26.4	-10~70	3200	0.21	5.12	113.99	3.23	0.47	12.06	48.4
⑧ A112382H BQ4090N0	24	21.6~26.4	-10~70	2800	0.16	3.86	99.45	2.81	0.38	9.65	46.9

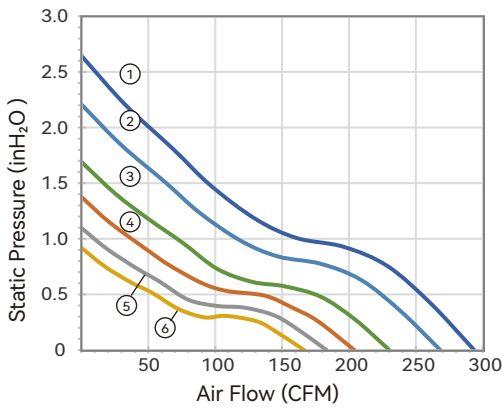
Notes: Specifications are subject to change without notice. Please refer to the product data sheet provided by our sales.
<https://www.i-hzlw.com>

120X120X38 mm

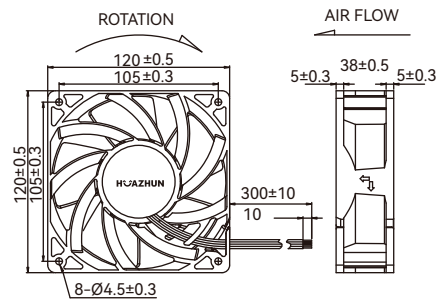


- Housing: Plastic (UL 94V-0)
- Impeller: Plastic (UL 94V-0)
- Bearing: Ball bearings
- Control Options: +/-/FG/PWM
- Weight: 275 g
- Lead Wires : UL10368 AWG26 OR Equivalent

■ Air Flow-Static Pressure Characteristics



■ Dimensions Drawing (mm)



Model No.	Rated Voltage VDC	Operating Voltage Range VDC	Operating Temp. °C	Speed RPM	Input Current Amp	Input Power Watts	Maximum Air Flow		Maximum Air Pressure		Noise @1M dB(A)
							CFM	m ³ /min	inH ₂ O	mmH ₂ O	
① A112384H B40N10N0	48	36~57	-10~70	8200	1.90	91.20	300.00	8.49	2.67	67.83	72.4
② A112384H B40N20N0	48	36~57	-10~70	7400	1.48	70.87	268.20	7.59	2.21	56.13	70.2
③ A112384H B40N30N0	48	36~57	-10~70	6400	0.87	41.94	233.20	6.60	1.68	42.67	67.0
④ A112384H B40N40N0	48	36~57	-10~70	5600	0.51	24.60	204.02	5.77	1.38	34.95	63.4
⑤ A112384H B40N50N0	48	36~57	-10~70	5000	0.38	18.11	183.07	5.18	1.10	27.87	60.8
⑥ A112384H B40N60N0	48	36~57	-10~70	4600	0.28	13.46	166.38	4.71	0.92	23.37	58.4

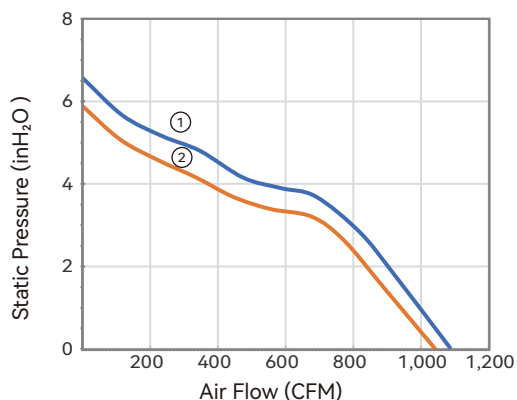
Notes: Specifications are subject to change without notice. Please refer to the product data sheet provided by our sales.
<https://www.i-hzlw.com>

200X70 mm

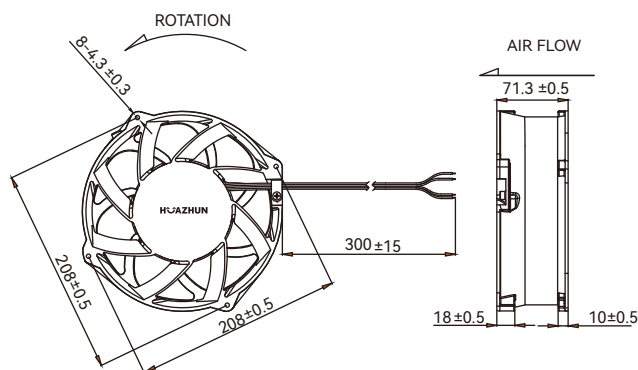


- Housing: Aluminum Alloy
- Impeller: Plastic (UL 94V-0)
- Bearing: Ball bearings
- Control Options: +/-/FG/PWM
- Weight: 1950 g
- Lead Wires : UL10368 AWG16 OR Equivalent

■ Air Flow-Static Pressure Characteristics



■ Dimensions Drawing (mm)



Model No.	Rated Voltage VDC	Operating Voltage Range VDC	Operating Temp. °C	Speed RPM	Input Current Amp	Input Power Watts	Maximum Air Flow		Maximum Air Pressure		Noise @1M dB(A)
							CFM	m ³ /min	inH ₂ O	mmH ₂ O	
① A320704H B4002AN0	48	36~60	-10~70	8000	12.500	600	1084	30.73	6.57	166.80	78
② A320704H B4003AN0	48	36~60	-10~70	7600	9.500	456	1042	29.53	5.89	149.62	77

Notes: Specifications are subject to change without notice. Please refer to the product data sheet provided by our sales.
<https://www.i-hzlw.com>

Stay Cool. Stay Ahead.

HUAZHUN--Innovating Thermal Solutions for an Unlimited Technological Future

HUAZHUN

Huazhun Tech Co., Ltd

<https://www.i-hzlw.com>

huazhun@i-huazhun.com

ADD: 2F.-1, No. 110, Sanduo 4th Rd., Lingya Dist., Kaohsiung City 802 , Taiwan

TEL: +886-7-2692979



WEBSITE