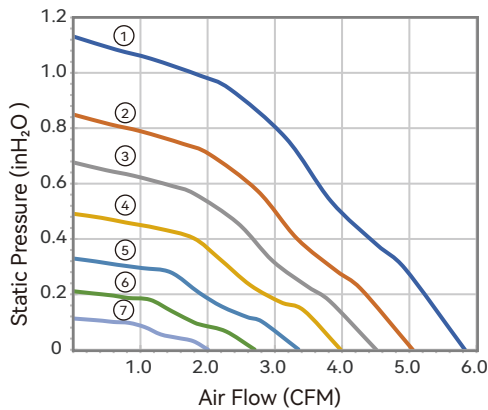


50X50X15 mm

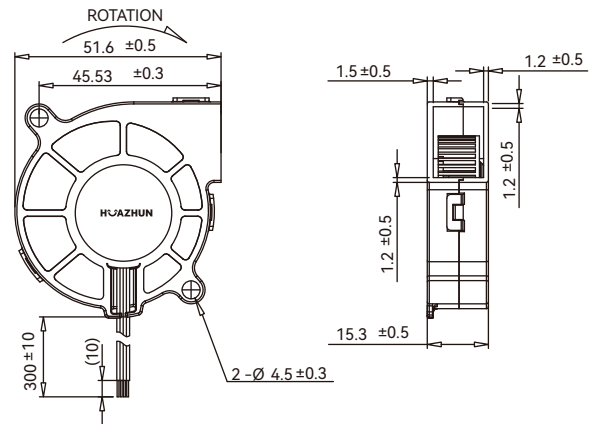


- Housing: Plastic (UL 94V-0)
- Impeller: Plastic (UL 94V-0)
- Bearing: Ball bearings
- Control Options: +/-/FG/PWM
- Weight: 26 g

■ Air Flow-Static Pressure Characteristics



■ Dimensions Drawing (mm)



Model No.	Rated Voltage VDC	Operating Voltage Range VDC	Operating Temp. °C	Speed RPM	Input Current Amp	Input Power Watts	Maximum Air Flow		Maximum Air Pressure		Noise @1M dB(A)
							CFM	m ³ /min	inH ₂ O	mmH ₂ O	
① B150150M B40N10N0	5	4.5~6	-10~70	7500	1.054	5.27	5.8	0.17	1.17	28.7	46.5
② B150150M B40N20N0	5	4.5~6	-10~70	6500	0.686	3.43	5.1	0.14	0.88	21.6	44.0
③ B150150M B40N30N0	5	4.5~6	-10~70	5800	0.460	2.30	4.5	0.13	0.70	17.2	40.3
④ B150150M B40N40N0	5	4.5~6	-10~70	5200	0.400	2.00	4.0	0.11	0.51	12.5	37.9
⑤ B150150M B40N50N0	5	4.5~6	-10~70	4500	0.302	1.51	3.3	0.09	0.34	8.4	34.8
⑥ B150150M B40N60N0	5	4.5~6	-10~70	3800	0.218	1.09	2.7	0.08	0.22	5.4	31.1
⑦ B150150M B40N70N0	5	4.5~6	-10~70	3000	0.146	0.73	2.0	0.06	0.12	2.9	26.0
① B150151M B40N10N0	12	6~13.8	-10~70	7500	0.439	5.27	5.8	0.17	1.17	28.7	46.5
② B150151M B40N20N0	12	6~13.8	-10~70	6500	0.286	3.43	5.1	0.14	0.88	21.6	44.0
③ B150151M B40N30N0	12	6~13.8	-10~70	5800	0.192	2.30	4.5	0.13	0.70	17.2	40.3
④ B150151M B40N40N0	12	6~13.8	-10~70	5200	0.167	2.00	4.0	0.11	0.51	12.5	37.9
⑤ B150151M B40N50N0	12	6~13.8	-10~70	4500	0.126	1.51	3.3	0.09	0.34	8.4	34.8
② B150152M B40N20N0	24	14~27.6	-10~70	6500	0.143	3.43	5.1	0.14	0.88	21.6	44.0
③ B150152M B40N30N0	24	14~27.6	-10~70	5800	0.096	2.30	4.5	0.13	0.70	17.2	40.3
④ B150152M B40N40N0	24	14~27.6	-10~70	5200	0.083	2.00	4.0	0.11	0.51	12.5	37.9

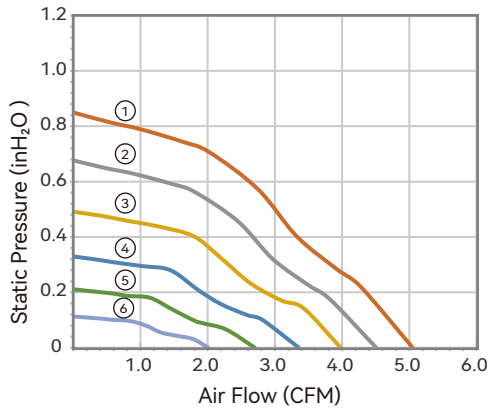
Notes: Specifications are subject to change without notice. Please refer to the product data sheet provided by our sales.
<https://www.i-hzlw.com>

50X50X15 mm

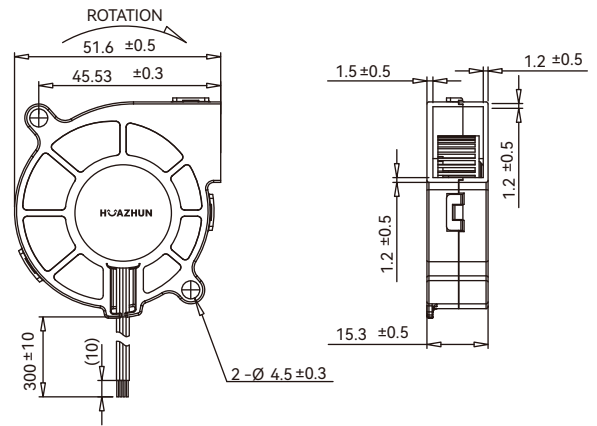


- Housing: Plastic (UL 94V-0)
- Impeller: Plastic (UL 94V-0)
- Bearing: Hydraulic bearings
- Control Options: +/-/FG/PWM
- Weight: 26 g

■ Air Flow-Static Pressure Characteristics



■ Dimensions Drawing (mm)



Model No.	Rated Voltage VDC	Operating Voltage Range VDC	Operating Temp. °C	Speed RPM	Input Current Amp	Input Power Watts	Maximum Air Flow		Maximum Air Pressure		Noise @1M dB(A)
							CFM	m ³ /min	inH ₂ O	mmH ₂ O	
① B150150M H40N20N0	5	4.5~6	-10~70	6500	0.686	3.43	5.1	0.14	0.88	21.6	43.8
② B150150M H40N30N0	5	4.5~6	-10~70	5800	0.460	2.30	4.5	0.13	0.70	17.2	39.8
③ B150150M H40N40N0	5	4.5~6	-10~70	5200	0.400	2.00	4.0	0.11	0.51	12.5	37.4
④ B150150M H40N50N0	5	4.5~6	-10~70	4500	0.302	1.51	3.3	0.09	0.34	8.4	34.3
⑤ B150150M H40N60N0	5	4.5~6	-10~70	3800	0.218	1.09	2.7	0.08	0.22	5.4	30.6
⑥ B150150M H40N70N0	5	4.5~6	-10~70	3000	0.400	0.73	2.0	0.06	0.12	2.9	25.5
① B150151M H40N20N0	12	6~13.8	-10~70	6500	0.286	3.43	5.1	0.14	0.88	21.6	43.8
② B150151M H40N30N0	12	6~13.8	-10~70	5800	0.192	2.30	4.5	0.13	0.70	17.2	39.8
③ B150151M H40N40N0	12	6~13.8	-10~70	5200	0.167	2.00	4.0	0.11	0.51	12.5	37.4
④ B150151M H40N50N0	12	6~13.8	-10~70	4500	0.126	1.51	3.3	0.09	0.34	8.4	34.3
① B150152M H40N20N0	24	14~27.6	-10~70	6500	0.143	3.43	5.1	0.14	0.88	21.6	43.8
② B150152M H40N30N0	24	14~27.6	-10~70	5800	0.096	2.30	4.5	0.13	0.70	17.2	39.8
③ B150152M H40N40N0	24	14~27.6	-10~70	5200	0.083	2.00	4.0	0.11	0.51	12.5	37.4

Notes: Specifications are subject to change without notice. Please refer to the product data sheet provided by our sales.
<https://www.i-hzlw.com>