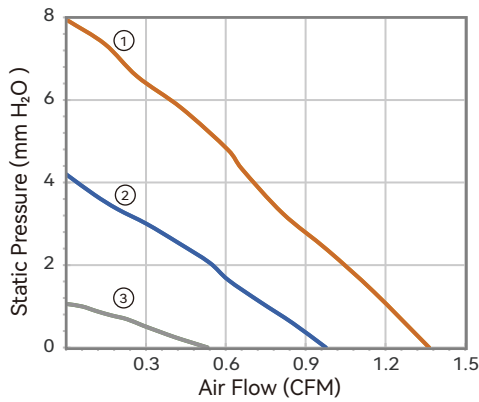


30X30X10 mm

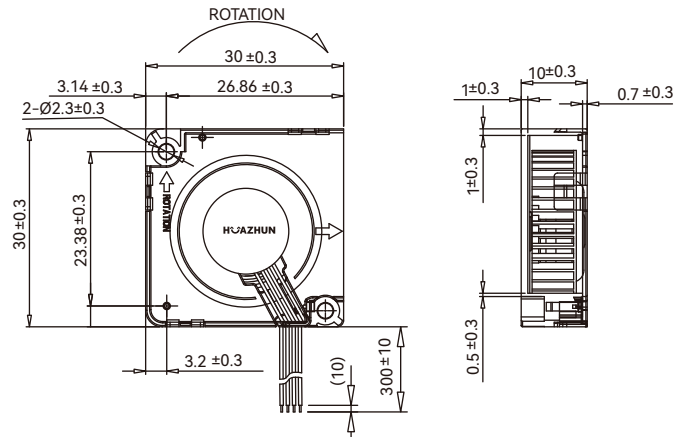


- Housing: Plastic (UL 94V-0)
- Impeller: Plastic (UL 94V-0)
- Bearing: Hydraulic bearings
- Control Options: +/-/FG/PWM
- Weight: 8.1 g

■ Air Flow-Static Pressure Characteristics



■ Dimensions Drawing (mm)



Model No.	Rated Voltage VDC	Operating Voltage Range VDC	Operating Temp. °C	Speed RPM	Input Current Amp	Input Power Watts	Maximum Air Flow		Maximum Air Pressure		Noise @1M dB(A)
							CFM	m ³ /min	inH ₂ O	mmH ₂ O	
① B130100M HO4020N0	5	3.5~5.5	-10~70	8000	0.160	0.80	1.36	0.039	0.313	7.95	29.8
② B130100M HO4030N0	5	3.5~5.5	-10~70	6000	0.086	0.43	0.98	0.028	0.165	4.20	22.5
③ B130100M HO4060N0	5	3.5~5.5	-10~70	3500	0.032	0.16	0.53	0.015	0.046	1.06	16.1
① B130101M H40N20N0	12	7~13.8	-10~70	8000	0.067	0.80	1.36	0.039	0.313	7.95	29.8
② B130101M H40N30N0	12	7~13.8	-10~70	6000	0.036	0.43	0.98	0.028	0.165	4.20	22.5
③ B130101M H40N60N0	12	7~13.8	-10~70	3500	0.013	0.16	0.53	0.015	0.046	1.06	16.1

Notes: Specifications are subject to change without notice. Please refer to the product data sheet provided by our sales.
<https://www.i-hzlw.com>