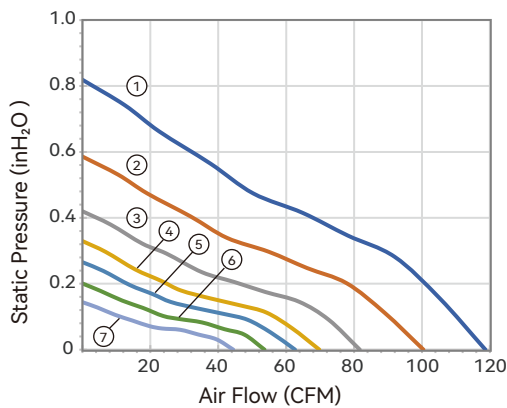


92X92X25 mm

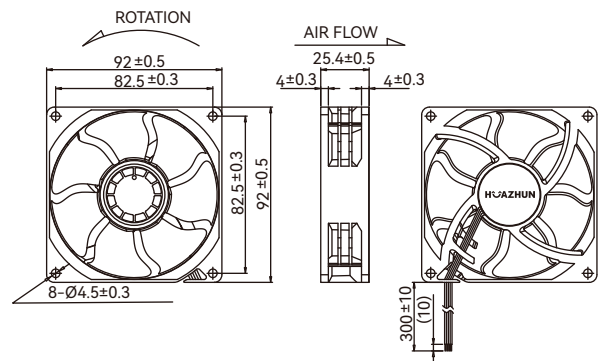


- Housing: Plastic (UL 94V-0)
- Impeller: Plastic (UL 94V-0)
- Bearing: Ball bearings
- Control Options: +/-/FG/PWM
- Weight: 103 g

■ Air Flow-Static Pressure Characteristics



■ Dimensions Drawing (mm)



Model No.	Rated Voltage VDC	Operating Voltage Range VDC	Operating Temp. °C	Speed RPM	Input Current Amp	Input Power Watts	Maximum Air Flow		Maximum Air Pressure		Noise @1M dB(A)
							CFM	m ³ /min	inH ₂ O	mmH ₂ O	
① A192251S B40N20N0	12	7~13.8	-10~70	6500	1.459	17.50	118.70	3.36	0.82	20.80	57.8
② A192251S B40N30N0	12	7~13.8	-10~70	5500	0.884	10.60	100.40	2.84	0.59	14.90	51.0
③ A192251H BO4040N0	12	7~13.8	-10~70	4500	0.424	5.10	81.70	2.31	0.42	10.70	46.5
④ A192251H BO4050N0	12	7~13.8	-10~70	3900	0.272	3.30	69.80	1.97	0.33	8.40	42.0
⑤ A192251H BO4060N0	12	7~13.8	-10~70	3500	0.197	2.40	62.60	1.77	0.27	6.70	38.4
⑥ A192251H BO4070N0	12	7~13.8	-10~70	3000	0.133	1.60	53.60	1.52	0.20	5.10	36.0
⑦ A192251H BO4080N0	12	7~13.8	-10~70	2500	0.090	1.10	44.60	1.26	0.13	3.30	32.0
① A192252M B40N20N0	24	14~27.6	-10~70	6500	0.729	17.50	118.70	3.36	0.82	20.80	57.8
② A192252M B40N30N0	24	14~27.6	-10~70	5500	0.442	10.60	100.40	2.84	0.59	14.90	51.0
③ A192252M B40N40N0	24	14~27.6	-10~70	4500	0.212	5.10	81.70	2.31	0.42	10.70	46.5
④ A192252M B40N50N0	24	14~27.6	-10~70	3900	0.136	3.30	69.80	1.97	0.33	8.40	42.0
⑤ A192252M B40N60N0	24	14~27.6	-10~70	3500	0.098	2.40	62.60	1.77	0.27	6.70	38.4
⑥ A192252M B40N70N0	24	14~27.6	-10~70	3000	0.066	1.60	53.60	1.52	0.20	5.10	36.0
⑦ A192252M B40N80N0	24	14~27.6	-10~70	2500	0.045	1.10	44.60	1.26	0.13	3.30	32.0

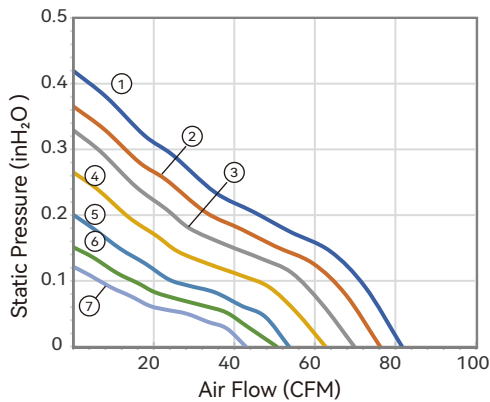
Notes: Specifications are subject to change without notice. Please refer to the product data sheet provided by our sales.
<https://www.i-hzlw.com>

92X92X25 mm

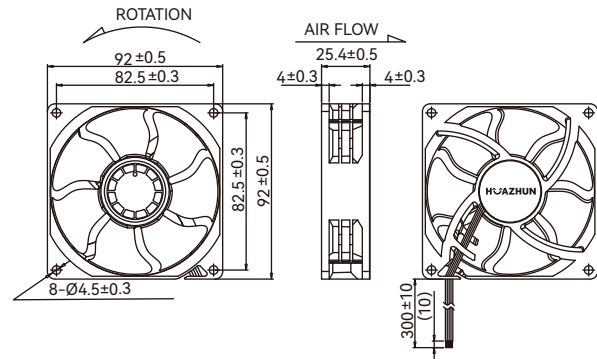


- Housing: Plastic (UL 94V-0)
- Impeller: Plastic (UL 94V-0)
- Bearing: Hydraulic bearings
- Control Options: +/-/FG/PWM
- Weight: 103 g

■ Air Flow-Static Pressure Characteristics



■ Dimensions Drawing (mm)



Model No.	Rated Voltage VDC	Operating Voltage Range VDC	Operating Temp. °C	Speed RPM	Input Current Amp	Input Power Watts	Maximum Air Flow		Maximum Air Pressure		Noise @1M dB(A)
							CFM	m ³ /min	inH ₂ O	mmH ₂ O	
① A192251H H40N30N0	12	6.5~13.2	-10~70	4500	0.475	5.70	81.70	2.31	0.42	10.70	45.5
② A192251H H40N40N0	12	6.5~13.2	-10~70	4200	0.417	5.00	76.20	2.16	0.37	9.30	43.6
③ A192251H H40N50N0	12	6.5~13.2	-10~70	3900	0.367	4.40	69.80	1.97	0.33	8.40	41.4
④ A192251H H40N60N0	12	6.5~13.2	-10~70	3500	0.265	3.20	62.60	1.77	0.27	6.70	38.4
⑤ A192251H H40N70N0	12	6.5~13.2	-10~70	3000	0.167	2.00	53.60	1.52	0.20	5.10	34.0
⑥ A192251H H40N80N0	12	6.5~13.2	-10~70	2700	0.122	1.50	50.50	1.43	0.16	4.10	32.0
⑦ A192251H H40N90N0	12	6.5~13.2	-10~70	2400	0.090	1.10	42.80	1.21	0.12	3.10	28.0
① A192252M H40N30N0	24	14~27.6	-10~70	4500	0.238	5.70	81.70	2.31	0.42	10.70	45.5
② A192252M H40N40N0	24	14~27.6	-10~70	4200	0.208	5.00	76.20	2.16	0.37	9.30	43.6
③ A192252M H40N50N0	24	14~27.6	-10~70	3900	0.183	4.40	69.80	1.97	0.33	8.40	41.4
④ A192252M H40N60N0	24	14~27.6	-10~70	3500	0.133	3.20	62.60	1.77	0.27	6.70	38.4
⑤ A192252M H40N70N0	24	14~27.6	-10~70	3000	0.083	2.00	53.60	1.52	0.20	5.10	34.0
⑥ A192252M H40N80N0	24	14~27.6	-10~70	2700	0.061	1.50	50.50	1.43	0.16	4.10	32.0
⑦ A192252M H40N90N0	24	14~27.6	-10~70	2400	0.045	1.10	42.80	1.21	0.12	3.10	28.0

Notes: Specifications are subject to change without notice. Please refer to the product data sheet provided by our sales.
<https://www.i-hzlw.com>