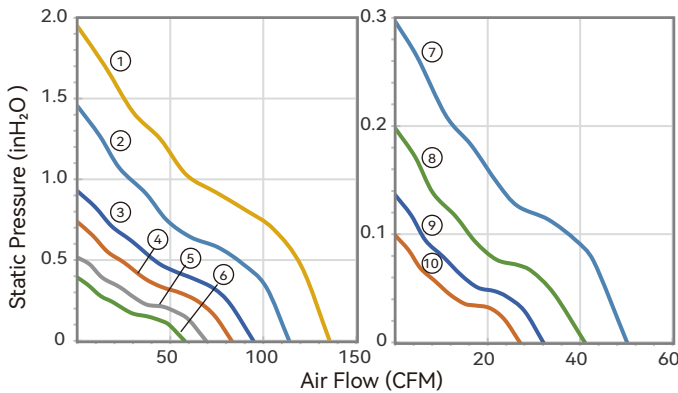


# 80X80X25 mm

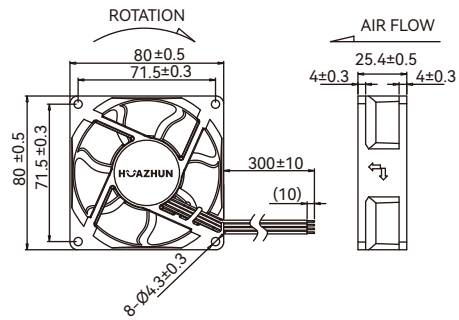


- Housing: Plastic (UL 94V-0)
- Impeller: Plastic (UL 94V-0)
- Bearing: Ball bearings
- Control Options: +/-/FG/PWM
- Weight: 82.5 g

### ■ Air Flow-Static Pressure Characteristics



### ■ Dimensions Drawing (mm)



Model No.	Rated Voltage VDC	Operating Voltage Range VDC	Operating Temp. °C	Speed RPM	Input Current Amp	Input Power Watts	Maximum Air Flow		Maximum Air Pressure		Noise @1M dB(A)
							CFM	m <sup>3</sup> /min	inH <sub>2</sub> O	mmH <sub>2</sub> O	
① A380251S B40N20N0	12	7~13.8	-10~70	10500	3.100	37.20	138.50	3.92	2.02	51.40	64.3
② A380251S B40N40N0	12	7~13.8	-10~70	9000	1.840	22.12	113.90	3.22	1.45	37.00	62.9
③ A180251H BO4010N0	12	7~13.8	-10~70	7400	1.200	14.40	94.80	2.68	0.93	23.60	58.6
④ A180251H BO4020N0	12	7~13.8	-10~70	6500	0.770	9.27	83.10	2.35	0.74	18.70	53.1
⑤ A180251H BO4030N0	12	7~13.8	-10~70	5500	0.474	5.68	69.30	1.96	0.52	13.10	51.5
⑥ A180251H BO4040N0	12	7~13.8	-10~70	4600	0.264	3.16	57.70	1.63	0.39	10.00	43.3
⑦ A180251M BO4050N0	12	7~13.8	-10~70	4000	0.198	2.38	50.20	1.42	0.30	7.50	39.5
⑧ A180251M BO4060N0	12	7~13.8	-10~70	3200	0.110	1.33	41.00	1.16	0.20	5.00	33.5
⑨ A180251M BO4070N0	12	7~13.8	-10~70	2600	0.060	0.72	32.00	0.91	0.14	3.50	28.3
⑩ A180251M BO4080N0	12	7~13.8	-10~70	2200	0.044	0.52	27.00	0.76	0.10	2.50	24.0

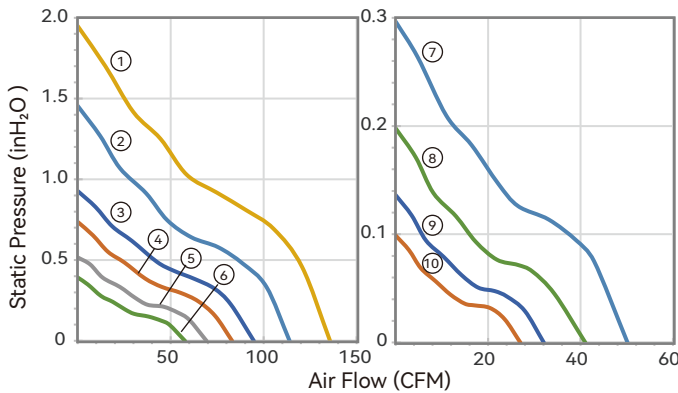
Notes: Specifications are subject to change without notice. Please refer to the product data sheet provided by our sales.  
<https://www.i-hzlw.com>

# 80X80X25 mm

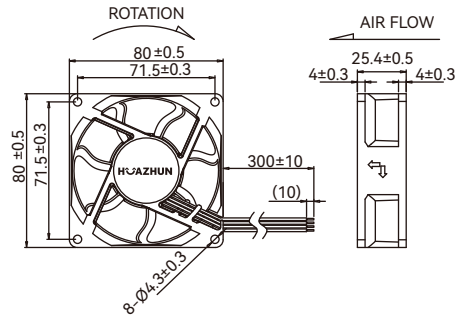


- Housing: Plastic (UL 94V-0)
- Impeller: Plastic (UL 94V-0)
- Bearing: Ball bearings
- Control Options: +/-/FG/PWM
- Weight: 82.5 g

### ■ Air Flow-Static Pressure Characteristics



### ■ Dimensions Drawing (mm)



Model No.	Rated Voltage VDC	Operating Voltage Range VDC	Operating Temp. °C	Speed RPM	Input Current Amp	Input Power Watts	Maximum Air Flow		Maximum Air Pressure		Noise @1M dB(A)
							CFM	m <sup>3</sup> /min	inH <sub>2</sub> O	mmH <sub>2</sub> O	
① A180252H B40N00N0	24	14~27.6	-10~70	10500	1.550	37.20	138.50	3.92	2.02	51.40	64.3
② A180252H B40N10N0	24	14~27.6	-10~70	9000	0.920	22.12	113.90	3.22	1.45	37.00	62.9
③ A180252H B40N20N0	24	14~27.6	-10~70	7400	0.600	14.40	94.80	2.68	0.93	23.60	58.6
④ A180252H B40N30N0	24	14~27.6	-10~70	6500	0.386	9.27	83.10	2.35	0.74	18.70	53.1
⑤ A180252H B40N40N0	24	14~27.6	-10~70	5500	0.237	5.68	69.30	1.96	0.52	13.10	51.5
⑥ A180252H B40N50N0	24	14~27.6	-10~70	4600	0.132	3.16	57.70	1.63	0.39	10.00	43.3
⑦ A180252H B40N60N0	24	14~27.6	-10~70	4000	0.099	2.38	50.20	1.42	0.30	7.50	39.5
⑧ A180252H B40N70N0	24	14~27.6	-10~70	3200	0.055	1.33	41.00	1.16	0.20	5.00	33.5
⑨ A180252H B40N80N0	24	14~27.6	-10~70	2600	0.030	0.72	32.00	0.91	0.14	3.50	28.3
⑩ A180252H B40N90N0	24	14~27.6	-10~70	2200	0.022	0.52	27.00	0.76	0.10	2.50	24.0

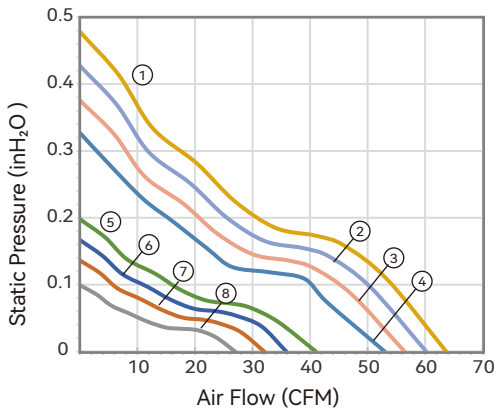
Notes: Specifications are subject to change without notice. Please refer to the product data sheet provided by our sales.  
<https://www.i-hzlw.com>

# 80X80X25 mm

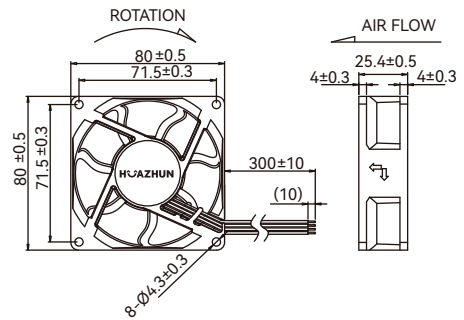


- Housing: Plastic (UL 94V-0)
- Impeller: Plastic (UL 94V-0)
- Bearing: Hydraulic bearings
- Control Options: +/-/FG/PWM
- Weight: 82.5 g

### ■ Air Flow-Static Pressure Characteristics



### ■ Dimensions Drawing (mm)



Model No.	Rated Voltage VDC	Operating Voltage Range VDC	Operating Temp. °C	Speed RPM	Input Current Amp	Input Power Watts	Maximum Air Flow		Maximum Air Pressure		Noise @1M dB(A)
							CFM	m <sup>3</sup> /min	inH <sub>2</sub> O	mmH <sub>2</sub> O	
① A180251H HO4010N0	12	7~13.8	-10~70	5300	0.500	6.00	63.70	1.80	0.48	12.10	47.6
② A180251H HO4020N0	12	7~13.8	-10~70	4800	0.371	4.46	60.20	1.70	0.43	10.90	44.5
③ A180251H HO4030N0	12	7~13.8	-10~70	4500	0.306	3.67	56.40	1.60	0.38	9.50	42.5
④ A180251H HO4040N0	12	7~13.8	-10~70	4200	0.249	2.99	53.00	1.50	0.33	8.30	41.0
⑤ A180251H HO4050N0	12	7~13.8	-10~70	3200	0.185	2.22	41.00	1.16	0.20	5.00	32.9
⑥ A180251H HO4060N0	12	7~13.8	-10~70	2900	0.092	1.10	35.90	1.02	0.17	4.20	29.8
⑦ A180251H HO4070N0	12	7~13.8	-10~70	2600	0.065	0.78	32.00	0.91	0.14	3.50	27.3
⑧ A180251H HO4080N0	12	7~13.8	-10~70	2200	0.042	0.50	27.00	0.76	0.10	2.50	23.0
① A180252H H40N10N0	24	14~27.6	-10~70	5300	0.250	6.00	63.70	1.80	0.48	12.10	47.6
② A180252H H40N20N0	24	14~27.6	-10~70	4800	0.186	4.46	60.20	1.70	0.43	10.90	44.5
③ A180252H H40N30N0	24	14~27.6	-10~70	4500	0.153	3.67	56.40	1.60	0.38	9.50	42.5
④ A180252H H40N40N0	24	14~27.6	-10~70	4200	0.124	2.99	50.20	1.42	0.33	8.30	41.0
⑤ A180252H H40N50N0	24	14~27.6	-10~70	3200	0.093	2.22	41.00	1.16	0.20	5.00	32.9
⑥ A180252H H40N60N0	24	14~27.6	-10~70	2900	0.046	1.10	35.90	1.02	0.17	4.20	29.8
⑦ A180252H H40N70N0	24	14~27.6	-10~70	2600	0.033	0.78	32.00	0.91	0.14	3.50	27.3
⑧ A180252H H40N80N0	24	14~27.6	-10~70	2200	0.021	0.50	27.00	0.76	0.10	2.50	23.0

Notes: Specifications are subject to change without notice. Please refer to the product data sheet provided by our sales.  
<https://www.i-hzlw.com>