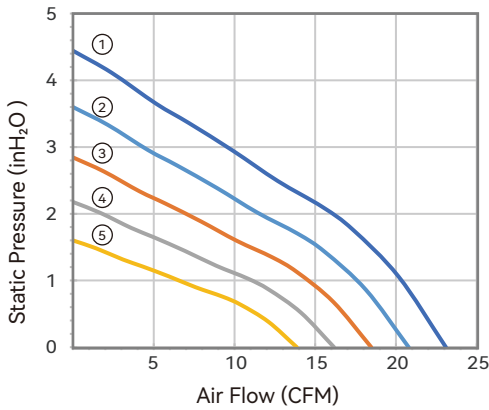


60X60X10 mm

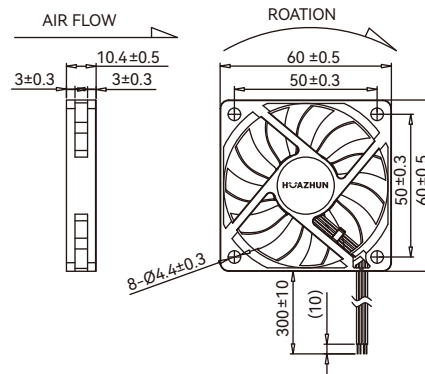


- Housing: Plastic (UL 94V-0)
- Impeller: Plastic (UL 94V-0)
- Bearing: Ball bearings
- Control Options: +/-/FG/PWM

■ Air Flow-Static Pressure Characteristics



■ Dimensions Drawing (mm)



Model No.	Rated Voltage VDC	Operating Voltage Range VDC	Operating Temp. °C	Speed RPM	Input Current Amp	Input Power Watts	Maximum Air Flow		Maximum Air Pressure		Noise @1M dB(A)
							CFM	m ³ /min	inH ₂ O	mmH ₂ O	
① A360100MB 40N20N0	5	3.5~5.5	-10~70	5000	0.744	3.72	23.09	0.65	0.17	4.44	37.1
② A360100MB 40N30N0	5	3.5~5.5	-10~70	4500	0.552	2.76	20.78	0.59	0.14	3.60	34.8
③ A360100MB 40N40N0	5	3.5~5.5	-10~70	4000	0.852	4.26	18.47	0.52	0.11	2.84	32.2
④ A360100MB 40N50N0	5	3.5~5.5	-10~70	3500	0.564	2.82	16.16	0.46	0.09	2.18	29.3
⑤ A360100MB 40N60N0	5	3.5~5.5	-10~70	3000	0.329	1.64	13.85	0.39	0.06	1.60	26.0
① A360101MB 40N20N0	12	7~13.8	-10~70	5000	0.310	3.72	23.09	0.65	0.17	4.44	37.1
② A360101MB 40N30N0	12	7~13.8	-10~70	4500	0.230	2.76	20.78	0.59	0.14	3.60	34.8
③ A160101MB 40N40N0	12	7~13.8	-10~70	4000	0.355	4.26	18.47	0.52	0.11	2.84	32.2
④ A160101MB 40N50N0	12	7~13.8	-10~70	3500	0.235	2.82	16.16	0.46	0.09	2.18	29.3
⑤ A160101MB 40N60N0	12	7~13.8	-10~70	3000	0.137	1.64	13.85	0.39	0.06	1.60	26.0

Notes: Specifications are subject to change without notice. Please refer to the product data sheet provided by our sales.
<https://www.i-hzlw.com>