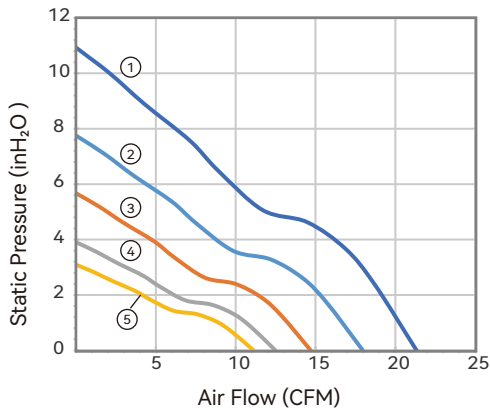


50X50X10 mm

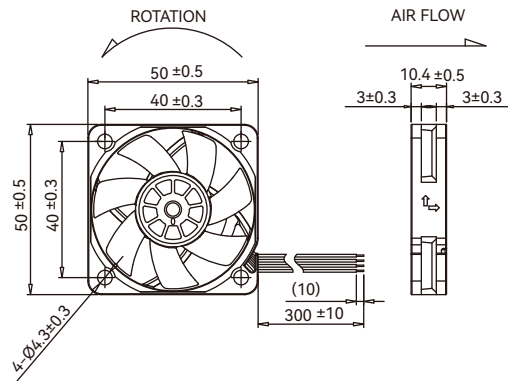


- Housing: Plastic (UL 94V-0)
- Impeller: Plastic (UL 94V-0)
- Bearing: Ball bearings
- Control Options: +/-/FG/PWM
- Weight: 34.1 g

■ Air Flow-Static Pressure Characteristics



■ Dimensions Drawing (mm)



Model No.	Rated Voltage VDC	Operating Voltage Range VDC	Operating Temp. °C	Speed RPM	Input Current Amp	Input Power Watts	Maximum Air Flow		Maximum Air Pressure		Noise @1M dB(A)
							CFM	m ³ /min	inH ₂ O	mmH ₂ O	
① A150100MB 40N10N0	5	3.5~5.5	-10~70	9500	0.600	3.00	21.33	0.60	0.43	10.93	38.8
② A150100MB 40N20N0	5	3.5~5.5	-10~70	8000	0.358	1.79	17.96	0.51	0.31	7.75	35.1
③ A150100MB 40N30N0	5	3.5~5.5	-10~70	6500	0.175	0.88	14.70	0.42	0.22	5.67	32.9
④ A150100MB 40N50N0	5	3.5~5.5	-10~70	5000	0.122	0.61	11.12	0.31	0.12	3.09	25.5
⑤ A150100MB 40N60N0	5	3.5~5.5	-10~70	4600	0.097	0.49	10.39	0.29	0.10	2.63	23.0
① A150101MB 40N10N0	12	7~13.8	-10~70	9500	0.221	2.65	21.33	0.60	0.43	10.93	38.8
② A150101MB 40N20N0	12	7~13.8	-10~70	8000	0.132	1.58	17.96	0.51	0.31	7.75	35.1
③ A150101MB 40N60N0	12	7~13.8	-10~70	6500	0.068	0.82	14.70	0.42	0.22	5.67	32.9
④ A150101MB 40N80N0	12	7~13.8	-10~70	5500	0.066	0.79	12.49	0.35	0.15	3.90	27.3
⑤ A150101MB 40N90N0	12	7~13.8	-10~70	5000	0.051	0.61	11.12	0.31	0.12	3.09	25.5

Notes: Specifications are subject to change without notice. Please refer to the product data sheet provided by our sales.
<https://www.i-hzlw.com>