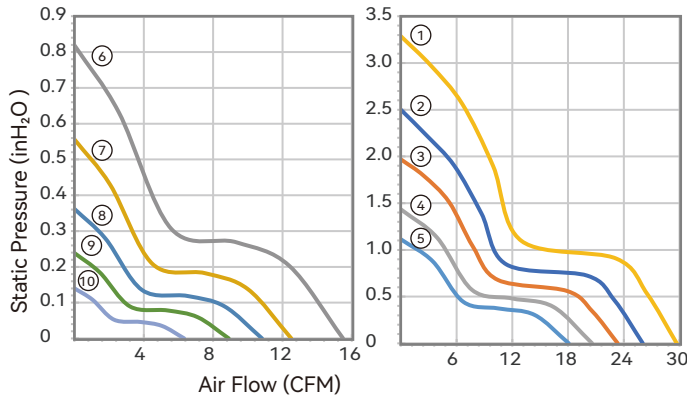


40X40X20 mm

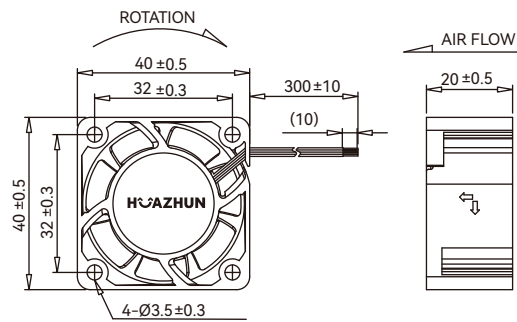


- Housing: Plastic (UL 94V-0)
- Impeller: Plastic (UL 94V-0)
- Bearing: Ball bearings
- Control Options: +/-/FG/PWM
- Weight: 38.1 g

■ Air Flow-Static Pressure Characteristics



■ Dimensions drawing (mm)



| Model No. | Rated Voltage VDC | Operating Voltage Range VDC | Operating Temp. °C | Speed RPM | Input Current Amp | Input Power Watts | Maximum Air Flow | | Maximum Air Pressure | | Noise @1M dB(A) |
|---------------------|----------------------|--------------------------------|-----------------------|--------------|----------------------|----------------------|------------------|---------------------|----------------------|--------------------|--------------------|
| | | | | | | | CFM | m ³ /min | inH ₂ O | mmH ₂ O | |
| ④ A140200M B40N00N0 | 5 | 3.5~5.5 | -10~70 | 16000 | 1.104 | 5.5 | 20.60 | 0.58 | 1.43 | 36.40 | 52.4 |
| ⑤ A140200M B40N10N0 | 5 | 3.5~5.5 | -10~70 | 14000 | 0.672 | 3.4 | 18.10 | 0.51 | 1.11 | 28.30 | 49.0 |
| ⑥ A140200M B40N20N0 | 5 | 3.5~5.5 | -10~70 | 12000 | 0.468 | 2.3 | 15.50 | 0.44 | 0.82 | 20.80 | 45.7 |
| ⑦ A140200M B40N30N0 | 5 | 3.5~5.5 | -10~70 | 10000 | 0.336 | 1.7 | 12.50 | 0.35 | 0.56 | 14.10 | 39.7 |
| ⑧ A140200M B40N40N0 | 5 | 3.5~5.5 | -10~70 | 8000 | 0.180 | 0.9 | 10.80 | 0.31 | 0.36 | 9.20 | 33.4 |
| ⑨ A140200M B40N50N0 | 5 | 3.5~5.5 | -10~70 | 6500 | 0.125 | 0.6 | 8.90 | 0.25 | 0.24 | 6.10 | 27.8 |
| ⑩ A140200M B40N60N0 | 5 | 3.5~5.5 | -10~70 | 5000 | 0.072 | 0.4 | 6.30 | 0.18 | 0.14 | 3.50 | 23.7 |
| ① A140201H BO4010 | 12 | 6~13.8 | -10~70 | 23000 | 1.450 | 17.4 | 29.70 | 0.84 | 3.29 | 83.50 | 59.9 |
| ② A140201H BO4020 | 12 | 6~13.8 | -10~70 | 20000 | 0.810 | 9.7 | 26.00 | 0.74 | 2.50 | 63.50 | 56.4 |
| ③ A140201H BO4030 | 12 | 6~13.8 | -10~70 | 18000 | 0.620 | 7.4 | 23.30 | 0.66 | 1.97 | 50.00 | 54.2 |
| ④ A140201M BO4000 | 12 | 6~13.8 | -10~70 | 16000 | 0.460 | 5.5 | 20.60 | 0.58 | 1.43 | 36.40 | 52.4 |
| ⑤ A140201M BO4010 | 12 | 6~13.8 | -10~70 | 14000 | 0.280 | 3.4 | 18.10 | 0.51 | 1.11 | 28.30 | 49.0 |
| ⑥ A140201M BO4020 | 12 | 6~13.8 | -10~70 | 12000 | 0.195 | 2.3 | 15.50 | 0.44 | 0.82 | 20.80 | 45.7 |
| ⑦ A140201M BO4030 | 12 | 6~13.8 | -10~70 | 10000 | 0.140 | 1.7 | 12.50 | 0.35 | 0.56 | 14.10 | 39.7 |
| ⑧ A140201M BO4040 | 12 | 6~13.8 | -10~70 | 8000 | 0.075 | 0.9 | 10.80 | 0.31 | 0.36 | 9.20 | 33.4 |
| ⑨ A140201M BO4050 | 12 | 6~13.8 | -10~70 | 6500 | 0.052 | 0.6 | 8.90 | 0.25 | 0.24 | 6.10 | 27.8 |
| ⑩ A140201M BO4060 | 12 | 6~13.8 | -10~70 | 5000 | 0.030 | 0.4 | 6.30 | 0.18 | 0.14 | 3.50 | 23.7 |

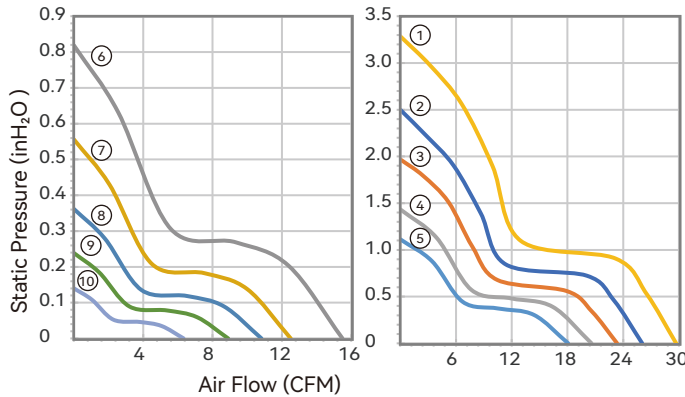
Notes: Specifications are subject to change without notice. Please refer to the product data sheet provided by our sales.
<https://www.i-hzlw.com>

40X40X20 mm

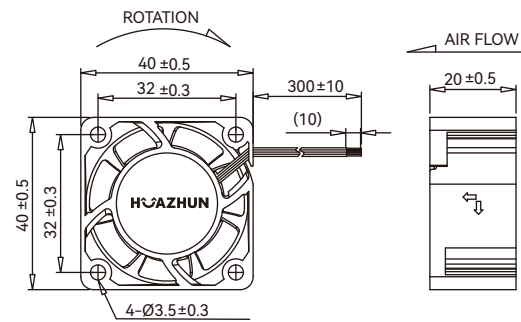


- Housing: Plastic (UL 94V-0)
- Impeller: Plastic (UL 94V-0)
- Bearing: Ball bearings
- Control Options: +/-/FG/PWM
- Weight: 38.1 g

■ Air Flow-Static Pressure Characteristics



■ Dimensions drawing (mm)



| Model No. | Rated Voltage VDC | Operating Voltage Range VDC | Operating Temp. °C | Speed RPM | Input Current Amp | Input Power Watts | Maximum Air Flow | | Maximum Air Pressure | | Noise @1M dB(A) |
|---------------------|----------------------|--------------------------------|-----------------------|--------------|----------------------|----------------------|------------------|---------------------|----------------------|--------------------|--------------------|
| | | | | | | | CFM | m ³ /min | inH ₂ O | mmH ₂ O | |
| ① A140202M B40N00N0 | 24 | 14~27.6 | -10~70 | 23000 | 0.725 | 17.4 | 29.70 | 0.84 | 3.29 | 83.50 | 59.9 |
| ② A140202M B40N10N0 | 24 | 14~27.6 | -10~70 | 20000 | 0.405 | 9.7 | 26.00 | 0.74 | 2.50 | 63.50 | 56.4 |
| ③ A140202M B40N20N0 | 24 | 14~27.6 | -10~70 | 18000 | 0.310 | 7.4 | 23.30 | 0.66 | 1.97 | 50.00 | 54.2 |
| ④ A140202M B40N30N0 | 24 | 14~27.6 | -10~70 | 16000 | 0.230 | 5.5 | 20.60 | 0.58 | 1.43 | 36.40 | 52.4 |
| ⑤ A140202M B40N40N0 | 24 | 14~27.6 | -10~70 | 14000 | 0.140 | 3.4 | 18.10 | 0.51 | 1.11 | 28.30 | 49.0 |
| ⑥ A140202M B40N50N0 | 24 | 14~27.6 | -10~70 | 12000 | 0.098 | 2.3 | 15.50 | 0.44 | 0.82 | 20.80 | 45.7 |
| ⑦ A140202M B40N60N0 | 24 | 14~27.6 | -10~70 | 10000 | 0.070 | 1.7 | 12.50 | 0.35 | 0.56 | 14.10 | 39.7 |
| ⑧ A140202M B40N70N0 | 24 | 14~27.6 | -10~70 | 8000 | 0.038 | 0.9 | 10.80 | 0.31 | 0.36 | 9.20 | 33.4 |
| ⑨ A140202M B40N80N0 | 24 | 14~27.6 | -10~70 | 6500 | 0.026 | 0.6 | 8.90 | 0.25 | 0.24 | 6.10 | 27.8 |
| ⑩ A140202M B40N90N0 | 24 | 14~27.6 | -10~70 | 5000 | 0.015 | 0.4 | 6.30 | 0.18 | 0.14 | 3.50 | 23.7 |

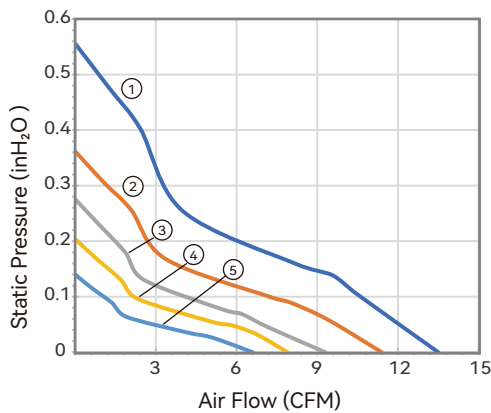
Notes: Specifications are subject to change without notice. Please refer to the product data sheet provided by our sales.
<https://www.i-hzlw.com>

40X40X20 mm

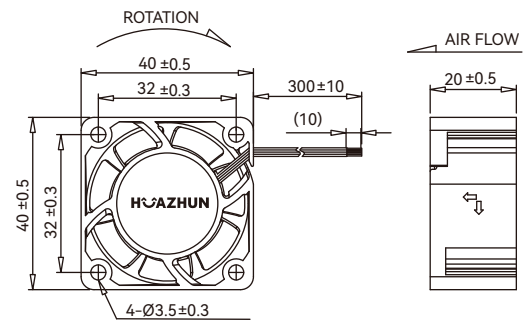


- Housing: Plastic (UL 94V-0)
- Impeller: Plastic (UL 94V-0)
- Bearing: Hydraulic bearings
- Control Options: +/-/FG/PWM
- Weight: 36.8 g

■ Air Flow-Static Pressure Characteristics



■ Dimensions drawing (mm)



| Model No. | Rated Voltage VDC | Operating Voltage Range VDC | Operating Temp. °C | Speed RPM | Input Current Amp | Input Power Watts | Maximum Air Flow | | Maximum Air Pressure | | Noise @1M dB(A) |
|---------------------|----------------------|--------------------------------|-----------------------|--------------|----------------------|----------------------|------------------|---------------------|----------------------|--------------------|--------------------|
| | | | | | | | CFM | m ³ /min | inH ₂ O | mmH ₂ O | |
| ② A140200M H40N40N0 | 5 | 3.5~6 | -10~70 | 8000 | 0.408 | 2.04 | 11.4 | 0.323 | 0.36 | 9.2 | 33.6 |
| ③ A140200M H40N50N0 | 5 | 3.5~6 | -10~70 | 7000 | 0.336 | 1.68 | 9.3 | 0.271 | 0.28 | 7.0 | 29.5 |
| ④ A140200M H40N60N0 | 5 | 3.5~6 | -10~70 | 6000 | 0.300 | 1.50 | 7.9 | 0.232 | 0.20 | 5.2 | 24.9 |
| ⑤ A140200M H40N70N0 | 5 | 3.5~6 | -10~70 | 5000 | 0.204 | 1.02 | 6.6 | 0.194 | 0.14 | 3.5 | 19.5 |
| ① A140201M HO4030 | 12 | 6~13.8 | -10~70 | 10000 | 0.322 | 3.87 | 13.5 | 0.383 | 0.56 | 14.1 | 39.5 |
| ② A140201M HO4040 | 12 | 6~13.8 | -10~70 | 8000 | 0.170 | 2.04 | 11.4 | 0.323 | 0.36 | 9.2 | 33.6 |
| ③ A140201M HO4050 | 12 | 6~13.8 | -10~70 | 7000 | 0.140 | 1.68 | 9.3 | 0.271 | 0.28 | 7.0 | 29.5 |
| ④ A140201M HO4060 | 12 | 6~13.8 | -10~70 | 6000 | 0.125 | 1.50 | 7.9 | 0.232 | 0.20 | 5.2 | 24.9 |
| ⑤ A140201M HO4070 | 12 | 6~13.8 | -10~70 | 5000 | 0.085 | 1.02 | 6.6 | 0.194 | 0.14 | 3.5 | 19.5 |
| ① A140202M H40N30N0 | 24 | 14~27.6 | -10~70 | 10000 | 0.161 | 3.87 | 13.5 | 0.383 | 0.56 | 14.1 | 39.5 |
| ② A140202M H40N40N0 | 24 | 14~27.6 | -10~70 | 8000 | 0.085 | 2.04 | 11.4 | 0.323 | 0.36 | 9.2 | 33.6 |
| ③ A140202M H40N50N0 | 24 | 14~27.6 | -10~70 | 7000 | 0.070 | 1.68 | 9.3 | 0.271 | 0.28 | 7.0 | 29.5 |
| ④ A140202M H40N60N0 | 24 | 14~27.6 | -10~70 | 6000 | 0.063 | 1.50 | 7.9 | 0.232 | 0.20 | 5.2 | 24.9 |
| ⑤ A140202M H40N70N0 | 24 | 14~27.6 | -10~70 | 5000 | 0.043 | 1.02 | 6.6 | 0.194 | 0.14 | 3.5 | 19.5 |

Notes: Specifications are subject to change without notice. Please refer to the product data sheet provided by our sales.
<https://www.i-hzlw.com>