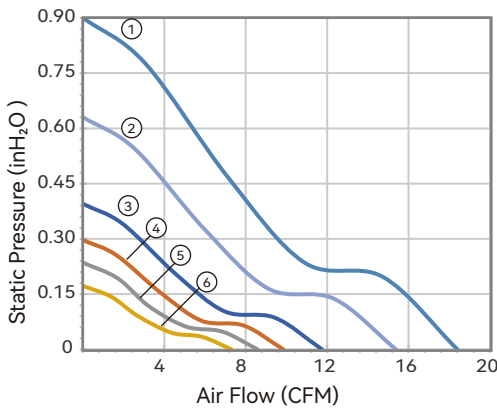


40X40X10 mm

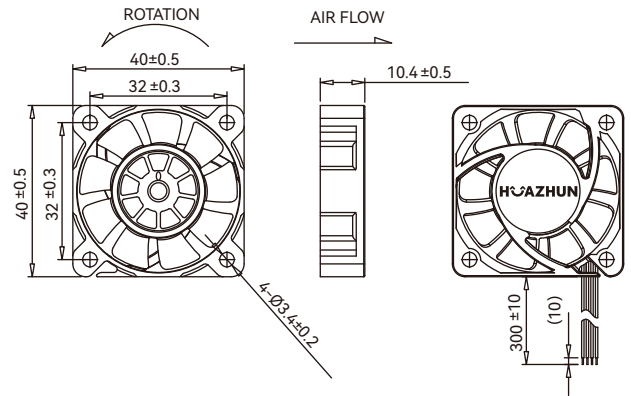


- Housing: Plastic (UL 94V-0)
- Impeller: Plastic (UL 94V-0)
- Bearing: Ball bearings
- Control Options: +/-/FG/PWM
- Weight: 16 g

■ Air Flow-Static Pressure Characteristics



■ Dimensions Drawing (mm)



Model No.	Rated Voltage VDC	Operating Voltage Range VDC	Operating Temp. °C	Speed RPM	Input Current Amp	Input Power Watts	Maximum Air Flow		Maximum Air Pressure		Noise @1M dB(A)
							CFM	m ³ /min	inH ₂ O	mmH ₂ O	
① A140100M BO4010N0	5	3.5~5.5	-10~70	15000	1.107	5.53	18.40	0.52	0.90	22.90	47.9
② A140100M BO4020N0	5	3.5~5.5	-10~70	12000	0.540	2.70	15.40	0.44	0.63	16.00	44.1
③ A140100M BO4030N0	5	3.5~5.5	-10~70	9500	0.276	1.38	11.70	0.31	0.40	10.00	40.8
④ A140100M BO4040N0	5	3.5~5.5	-10~70	8000	0.204	1.02	9.80	0.28	0.30	7.50	36.4
⑤ A140100M BO4050N0	5	3.5~5.5	-10~70	7000	0.149	0.74	8.60	0.24	0.24	6.00	32.1
⑥ A140100M BO4060N0	5	3.5~5.5	-10~70	6000	0.115	0.58	7.30	0.21	0.17	4.40	28.6
① A140101M BO4010	12	7~13.8	-10~70	15000	0.461	5.53	18.40	0.52	0.90	22.90	47.9
② A140101M BO4020	12	7~13.8	-10~70	12000	0.225	2.70	15.40	0.44	0.63	16.00	44.1
③ A140101M BO4030	12	7~13.8	-10~70	9500	0.115	1.38	11.70	0.33	0.40	10.00	40.8
④ A140101M BO4040	12	7~13.8	-10~70	8000	0.085	1.02	9.80	0.28	0.30	7.50	36.4
⑤ A140101M BO4050	12	7~13.8	-10~70	7000	0.062	0.74	8.60	0.24	0.24	6.00	32.1
⑥ A140101M BO4060	12	7~13.8	-10~70	6000	0.048	0.58	7.30	0.21	0.17	4.40	28.6

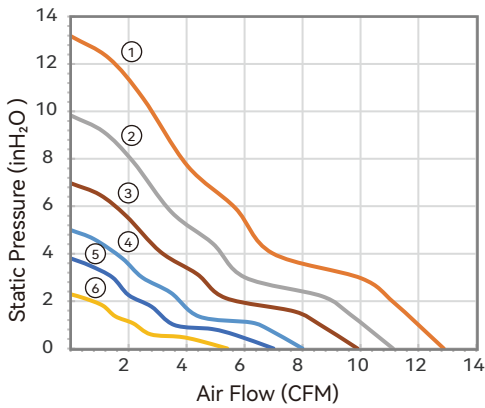
Notes: Specifications are subject to change without notice. Please refer to the product data sheet provided by our sales.
<https://www.i-hzlw.com>

40X40X10 mm

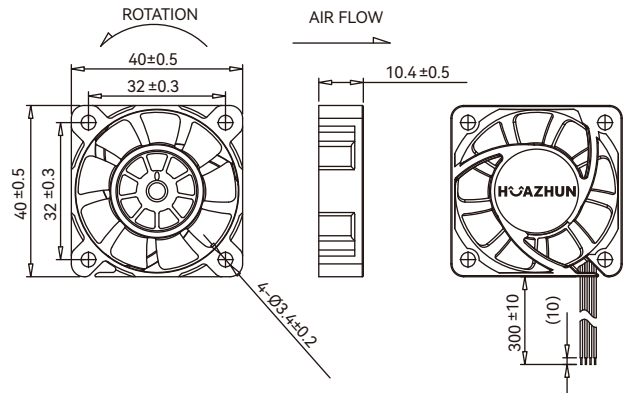


- Housing: Plastic (UL 94V-0)
- Impeller: Plastic (UL 94V-0)
- Bearing: Hydraulic bearings
- Control Options: +/-/FG/PWM
- Weight: 15.1 g

■ Air Flow-Static Pressure Characteristics



■ Dimensions Drawing (mm)



Model No.	Rated Voltage VDC	Operating Voltage Range VDC	Operating Temp. °C	Speed RPM	Input Current Amp	Input Power Watts	Maximum Air Flow		Maximum Air Pressure		Noise @1M dB(A)
							CFM	m ³ /min	inH ₂ O	mmH ₂ O	
① A140100M HO4000N0	5	3.5~5.5	-10~70	11000	0.427	2.14	12.90	0.36	0.52	13.18	41.9
② A140100M HO4010N0	5	3.5~5.5	-10~70	9500	0.276	1.38	11.10	0.31	0.39	9.83	38.7
③ A140100M HO4020N0	5	3.5~5.5	-10~70	8000	0.200	1.00	9.90	0.28	0.27	6.97	33.5
④ A140100M HO4030N0	5	3.5~5.5	-10~70	6700	0.124	0.62	8.00	0.23	0.20	5.00	29.3
⑤ A140100M HO4040N0	5	3.5~5.5	-10~70	5800	0.096	0.48	7.00	0.20	0.15	3.80	25.2
⑥ A140100M HO4050N0	5	3.5~5.5	-10~70	4500	0.076	0.38	5.40	0.15	0.09	2.29	21.6
① A140101M HO4000	12	7~13.8	-10~70	11000	0.178	2.14	12.90	0.36	0.52	13.18	41.9
② A140101M HO4010	12	7~13.8	-10~70	9500	0.115	1.38	11.10	0.31	0.39	9.83	38.7
③ A140101M HO4020	12	7~13.8	-10~70	8000	0.083	1.00	9.90	0.28	0.27	6.97	33.5
④ A140101M HO4030	12	7~13.8	-10~70	6700	0.052	0.62	8.00	0.23	0.20	5.00	29.3
⑤ A140101M HO4040	12	7~13.8	-10~70	5800	0.040	0.48	7.00	0.20	0.15	3.80	25.2
⑥ A140101M HO4050	12	7~13.8	-10~70	4500	0.032	0.38	5.40	0.15	0.09	2.29	21.6

Notes: Specifications are subject to change without notice. Please refer to the product data sheet provided by our sales.
<https://www.i-hzlw.com>