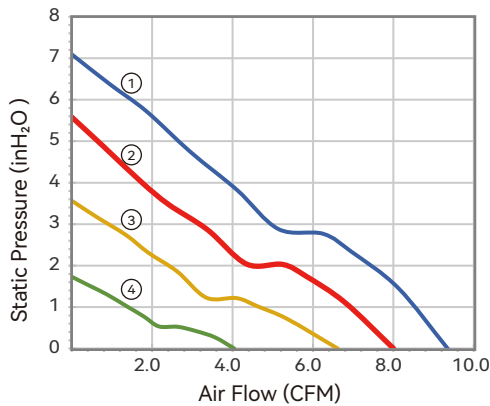


35X35X10 mm

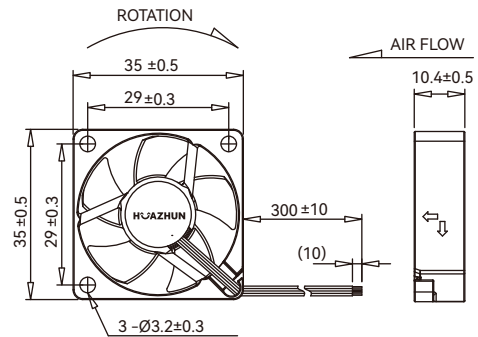


- Housing: Plastic (UL 94V-0)
- Impeller: Plastic (UL 94V-0)
- Bearing: Hydraulic bearings
- Control Options: +/-/FG/PWM
- Weight: 10 g

■ Air Flow-Static Pressure Characteristics



■ Dimensions Drawing (mm)



| Model No. | Rated Voltage VDC | Operating Voltage Range VDC | Operating Temp. °C | Speed RPM | Input Current Amp | Input Power Watts | Maximum Air Flow | | Maximum Air Pressure | | Noise @1M dB(A) |
|---------------------|----------------------|--------------------------------|-----------------------|--------------|----------------------|----------------------|------------------|---------------------|----------------------|--------------------|--------------------|
| | | | | | | | CFM | m ³ /min | inH ₂ O | mmH ₂ O | |
| ② A135100M H40N30N0 | 5 | 4~5.5 | -10~70 | 9500 | 0.233 | 1.16 | 8.01 | 0.23 | 0.22 | 5.58 | 28.0 |
| ③ A135100M H40N40N0 | 5 | 4~5.5 | -10~70 | 7500 | 0.140 | 0.70 | 6.62 | 0.19 | 0.14 | 3.57 | 21.9 |
| ④ A135100M H40N50N0 | 5 | 4~5.5 | -10~70 | 5000 | 0.060 | 0.30 | 4.04 | 0.11 | 0.07 | 1.73 | 15.9 |
| ① A135101M H40N20N0 | 12 | 7~13.8 | -10~70 | 11000 | 0.130 | 1.56 | 9.35 | 0.26 | 0.28 | 7.09 | 32.1 |
| ② A135101M H40N30N0 | 12 | 7~13.8 | -10~70 | 9500 | 0.097 | 1.16 | 8.01 | 0.23 | 0.22 | 5.58 | 28.0 |
| ③ A135101M H40N40N0 | 12 | 7~13.8 | -10~70 | 7500 | 0.058 | 0.70 | 6.62 | 0.19 | 0.14 | 3.57 | 21.9 |
| ④ A135101M H40N50N0 | 12 | 7~13.8 | -10~70 | 5000 | 0.025 | 0.30 | 4.04 | 0.11 | 0.07 | 1.73 | 15.9 |
| ① A135102M H40N20N0 | 24 | 14~27.6 | -10~70 | 11000 | 0.065 | 1.56 | 9.35 | 0.26 | 0.28 | 7.09 | 32.1 |
| ② A135102M H40N30N0 | 24 | 14~27.6 | -10~70 | 9000 | 0.035 | 0.85 | 7.59 | 0.21 | 0.20 | 5.01 | 27.1 |
| ③ A135102M H40N40N0 | 24 | 14~27.6 | -10~70 | 7000 | 0.024 | 0.58 | 5.76 | 0.16 | 0.12 | 3.14 | 21.0 |
| ④ A135102M H40N50N0 | 24 | 14~27.6 | -10~70 | 5000 | 0.013 | 0.30 | 4.04 | 0.11 | 0.07 | 1.73 | 15.9 |

Notes: Specifications are subject to change without notice. Please refer to the product data sheet provided by our sales.
<https://www.i-hzlw.com>