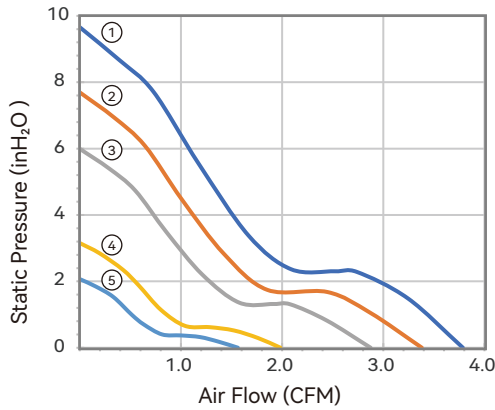


# 25X25X10 mm

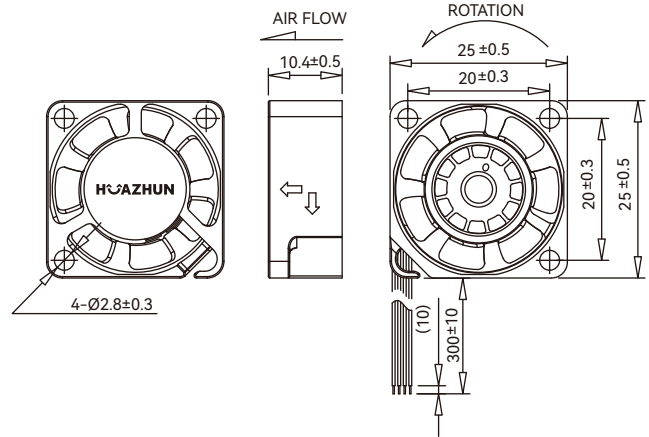


- Housing: Plastic (UL 94V-0)
- Impeller: Plastic (UL 94V-0)
- Bearing: Hydraulic bearings
- Control Options: +/-/FG/PWM
- Weight: 7.7 g

### ■ Air Flow-Static Pressure Characteristics



### ■ Dimensions Drawing(mm)



Model No.	Rated Voltage VDC	Operating Voltage Range VDC	Operating Temp. °C	Speed RPM	Input Current Amp	Input Power Watts	Maximum Air Flow		Maximum Air Pressure		Noise @1M dB(A)
							CFM	m <sup>3</sup> /min	inH <sub>2</sub> O	mmH <sub>2</sub> O	
① A125100M H40N10N0	5	3.5~5.5	-10~70	14000	0.178	0.89	3.78	0.11	0.38	9.66	31.4
② A125100M H40N20N0	5	3.5~5.5	-10~70	12500	0.126	0.63	3.27	0.09	0.30	7.74	27.5
③ A125100M H40N30N0	5	3.5~5.5	-10~70	11000	0.111	0.55	2.87	0.08	0.24	5.99	25.4
④ A125100M H40N40N0	5	3.5~5.5	-10~70	8000	0.062	0.31	1.98	0.06	0.12	3.16	19.4
⑤ A125100M H40N50N0	5	3.5~5.5	-10~70	6500	0.049	0.24	1.56	0.04	0.08	2.07	16.7
① A125101M H40N10N0	12	7~13.8	-10~70	14000	0.074	0.89	3.78	0.11	0.38	9.66	31.4
② A125101M H40N20N0	12	7~13.8	-10~70	12500	0.053	0.63	3.27	0.09	0.30	7.74	27.5
③ A125101M H40N30N0	12	7~13.8	-10~70	11000	0.046	0.55	2.87	0.08	0.24	5.99	25.4
④ A125101M H40N40N0	12	7~13.8	-10~70	8000	0.026	0.31	1.98	0.06	0.12	3.16	19.4
⑤ A125101M H40N50N0	12	7~13.8	-10~70	6500	0.020	0.24	1.56	0.04	0.08	2.07	16.7

Notes: Specifications are subject to change without notice. Please refer to the product data sheet provided by our sales.  
<https://www.i-hzlw.com>