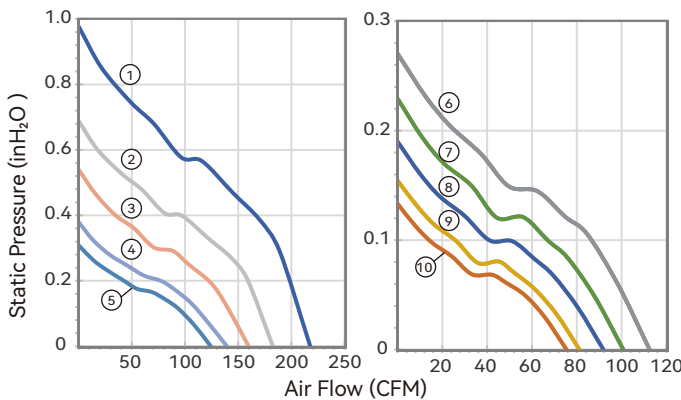


120X120X25 mm

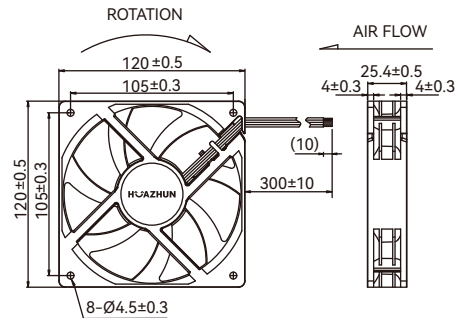


- Housing: Plastic (UL 94V-0)
- Impeller: Plastic (UL 94V-0)
- Bearing: Ball bearings
- Control Options: +/-/FG/PWM
- Weight: 195 g

■ Air Flow-Static Pressure Characteristics



■ Dimensions Drawing (mm)



Model No.	Rated Voltage VDC	Operating Voltage Range VDC	Operating Temp. °C	Speed RPM	Input Current Amp	Input Power Watts	Maximum Air Flow		Maximum Air Pressure		Noise @1M dB(A)
							CFM	m ³ /min	inH ₂ O	mmH ₂ O	
① A112251H B40N00N0	12	7~13.8	-10~70	5600	2.208	26.50	217.70	6.16	0.98	24.80	60.6
② A112251M B40N10N0	12	7~13.8	-10~70	4700	1.305	15.70	182.70	5.17	0.69	17.50	57.2
③ A112251M B40N20N0	12	7~13.8	-10~70	4300	1.040	12.50	159.70	4.52	0.54	13.70	54.2
④ A112251M B40N30N0	12	7~13.8	-10~70	3800	0.667	8.00	139.20	3.94	0.38	9.60	51.0
⑤ A112251M B40N40N0	12	7~13.8	-10~70	3400	0.480	5.80	124.20	3.51	0.31	7.80	48.7
⑥ A112251M B40N50N0	12	7~13.8	-10~70	3100	0.378	4.50	112.40	3.18	0.27	6.90	46.1
⑦ A112251M B40N60N0	12	7~13.8	-10~70	2800	0.273	3.30	100.80	2.85	0.23	5.80	42.5
⑧ A112251M B40N70N0	12	7~13.8	-10~70	2500	0.230	2.80	92.00	2.60	0.19	4.80	39.3
⑨ A112251M B40N80N0	12	7~13.8	-10~70	2200	0.169	2.00	81.20	2.30	0.15	3.90	35.7
⑩ A112251M B40N90N0	12	7~13.8	-10~70	2050	0.143	1.70	75.40	2.13	0.13	3.40	33.7
① A112252M B40N00N0	24	14~27.6	-10~70	5600	1.104	26.50	217.70	6.16	0.98	24.80	60.6
② A112252M B40N10N0	24	14~27.6	-10~70	4700	0.653	15.70	182.70	5.17	0.69	17.50	57.2
③ A112252M B40N20N0	24	14~27.6	-10~70	4300	0.520	12.50	159.70	4.52	0.54	13.70	54.2
④ A112252M B40N30N0	24	14~27.6	-10~70	3800	0.333	8.00	139.20	3.94	0.38	9.60	51.0
⑤ A112252M B40N40N0	24	14~27.6	-10~70	3400	0.240	5.80	124.20	3.51	0.31	7.80	48.7
⑥ A112252M B40N50N0	24	14~27.6	-10~70	3100	0.189	4.50	112.40	3.18	0.27	6.90	46.1
⑦ A112252M B40N60N0	24	14~27.6	-10~70	2800	0.136	3.30	100.80	2.85	0.23	5.80	42.5

Notes: Specifications are subject to change without notice. Please refer to the product data sheet provided by our sales.
<https://www.i-hzlw.com>