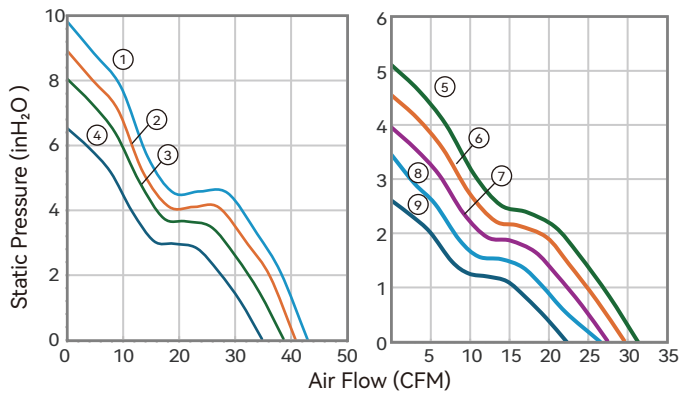


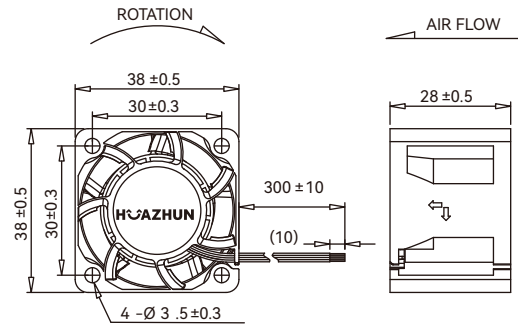


- Housing: Plastic (UL 94V-0)
- Impeller: Plastic (UL 94V-0)
- Bearing: Ball bearings
- Control Options: +/-/FG/PWM
- Lead Wires : UL10368 AWG26 OR Equivalent

### ■ Air Flow-Static Pressure Characteristics



### ■ Dimensions Drawing (mm)



Model No.	Rated Voltage VDC	Operating Voltage Range VDC	Operating Temp. °C	Speed RPM	Input Current Amp	Input Power Watts	Maximum Air Flow		Maximum Air Pressure		Noise @1M dB(A)	
							CFM	m <sup>3</sup> /min	inH <sub>2</sub> O	mmH <sub>2</sub> O		
① A338281HB	40N20L0	12	10.8~13.2	-10~70	40000	3.89	46.65	43.0	1.22	9.82	249.4	70.5
② A338281HB	40N40L0	12	10.8~13.2	-10~70	38000	3.37	40.41	40.8	1.16	8.92	226.5	69.4
③ A338281HB	40N60L0	12	10.8~13.2	-10~70	36500	3.08	36.90	38.6	1.09	8.05	204.5	68.5
④ A338281HB	40N80L0	12	10.8~13.2	-10~70	33000	2.28	27.30	34.8	0.99	6.53	165.9	67.6
⑤ A138281MBM	4L40N0	12	10.8~13.2	-10~70	29000	1.99	23.93	31.3	0.89	5.11	129.7	64.8
⑥ A138281MBM	4L60N0	12	10.8~13.2	-10~70	27500	1.70	20.38	29.5	0.84	4.55	115.6	63.5
⑦ A138281MBM	4L70N0	12	10.8~13.2	-10~70	25700	1.37	16.46	27.4	0.78	3.96	100.5	62.2
⑧ A138281MBM	4L80N0	12	10.8~13.2	-10~70	24000	1.12	13.40	26.5	0.75	3.45	87.6	60.7
⑨ A138281MBM	4L90N0	12	10.8~13.2	-10~70	21000	0.80	9.57	22.2	0.63	2.61	66.2	59.2

Notes: Specifications are subject to change without notice. Please refer to the product data sheet provided by our sales.  
<https://www.i-hzlw.com>