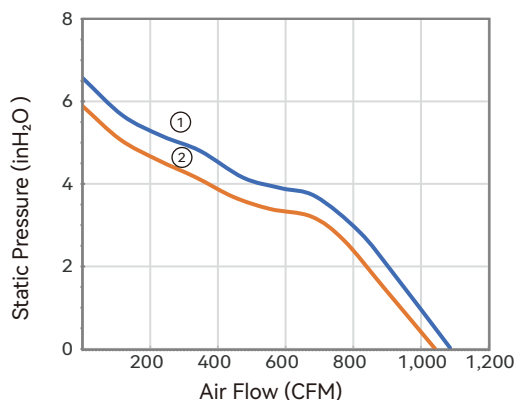


200X70 mm

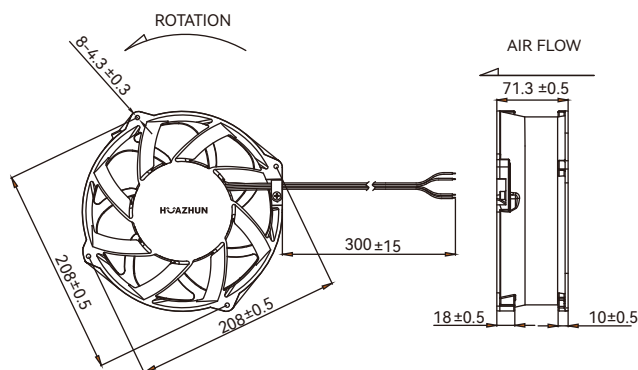


- Housing: Aluminum Alloy
- Impeller: Plastic (UL 94V-0)
- Bearing: Ball bearings
- Control Options: +/-/FG/PWM
- Weight: 1950 g
- Lead Wires : UL10368 AWG16 OR Equivalent

■ Air Flow-Static Pressure Characteristics



■ Dimensions Drawing (mm)



Model No.	Rated Voltage VDC	Operating Voltage Range VDC	Operating Temp. °C	Speed RPM	Input Current Amp	Input Power Watts	Maximum Air Flow		Maximum Air Pressure		Noise @1M dB(A)
							CFM	m ³ /min	inH ₂ O	mmH ₂ O	
① A320704H B4002AN0	48	36~60	-10~70	8000	12.500	600	1084	30.73	6.57	166.80	78
② A320704H B4003AN0	48	36~60	-10~70	7600	9.500	456	1042	29.53	5.89	149.62	77

Notes: Specifications are subject to change without notice. Please refer to the product data sheet provided by our sales.
<https://www.i-hzlw.com>