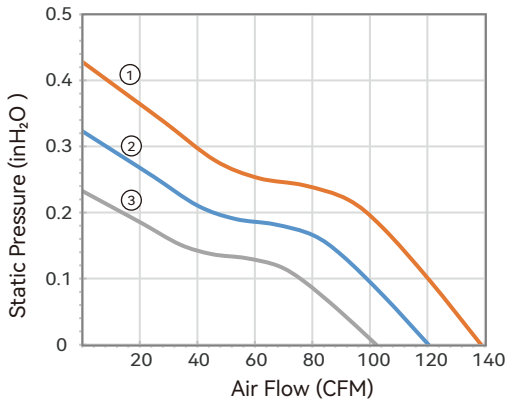


120X120X20 mm

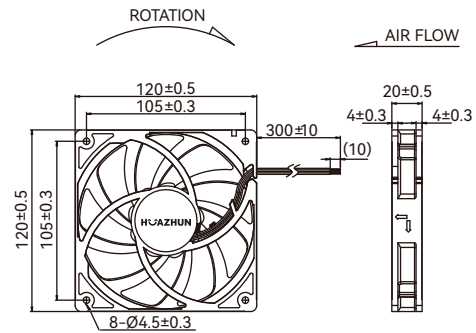


- Housing: Plastic (UL 94V-0)
- Impeller: Plastic (UL 94V-0)
- Bearing: Hydraulic bearings
- Control Options: +/-/FG/PWM

■ Air Flow-Static Pressure Characteristics



■ Dimensions Drawing (mm)



Model No.	Rated Voltage VDC	Operating Voltage Range VDC	Operating Temp. °C	Speed RPM	Input Current Amp	Input Power Watts	Maximum Air Flow		Maximum Air Pressure		Noise @1M dB(A)
							CFM	m ³ /min	inH ₂ O	mmH ₂ O	
① A112201MH 40N30N0	12	7~13.8	-10~70	3800	0.993	11.91	138.67	3.92	0.38	10.87	51.1
② A112201MH 40N40N0	12	7~13.8	-10~70	3300	0.650	7.80	120.42	3.41	0.31	8.20	48.0
③ A112201MH 40N50N0	12	7~13.8	-10~70	2800	0.397	4.76	102.17	2.89	0.27	5.90	44.4
① A112202MH 40N30N0	24	14~27.6	-10~70	3800	0.496	11.91	138.67	3.92	0.38	10.87	51.1
② A112202MH 40N40N0	24	14~27.6	-10~70	3300	0.325	7.80	120.42	3.41	0.31	8.20	48.0
③ A112202MH 40N50N0	24	14~27.6	-10~70	2800	0.198	4.76	102.17	2.89	0.27	5.90	44.4

Notes: Specifications are subject to change without notice. Please refer to the product data sheet provided by our sales.
<https://www.i-hzlw.com>