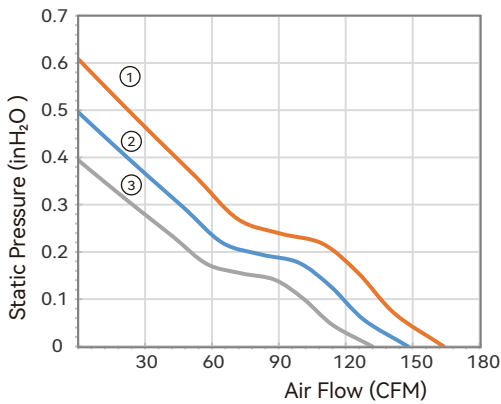


108X108X32 mm

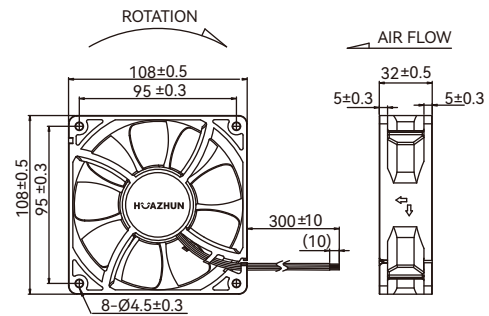


- Housing: Plastic (UL 94V-0)
- Impeller: Plastic (UL 94V-0)
- Bearing: Ball bearings
- Control Options: +/-/FG/PWM

■ Air Flow-Static Pressure Characteristics



■ Dimensions Drawing (mm)



Model No.	Rated Voltage VDC	Operating Voltage Range VDC	Operating Temp. °C	Speed RPM	Input Current Amp	Input Power Watts	Maximum Air Flow		Maximum Air Pressure		Noise @1M dB(A)
							CFM	m ³ /min	inH ₂ O	mmH ₂ O	
① A111321MB 40N50N0	12	7~13.8	-10~70	3800	1.145	13.74	163.89	4.64	0.38	15.46	56.2
② A111321MB 40N60N0	12	7~13.8	-10~70	3700	0.842	10.10	147.90	4.19	0.31	12.59	54.0
③ A111321MB 40N70N0	12	7~13.8	-10~70	2800	0.598	7.17	131.91	3.73	0.27	10.01	51.5
① A111322MB 40N50N0	24	14~27.6	-10~70	3800	0.573	13.74	163.89	4.64	0.38	15.46	56.2
② A111322MB 40N60N0	24	14~27.6	-10~70	3700	0.421	10.10	147.90	4.19	0.31	12.59	54.0
③ A111322MB 40N70N0	24	14~27.6	-10~70	2800	0.299	7.17	131.91	3.73	0.27	10.01	51.5

Notes: Specifications are subject to change without notice. Please refer to the product data sheet provided by our sales.
<https://www.i-hzlw.com>