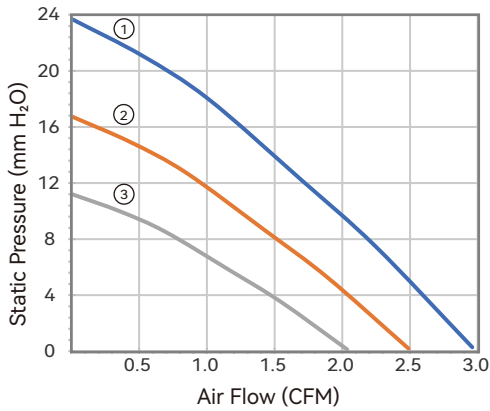


# 30X30X9 mm

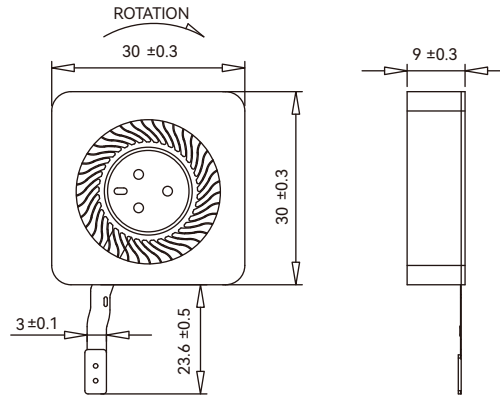


- Housing: Plastic (UL 94V-0)
- Impeller: Plastic (UL 94V-0)
- Bearing: Hydraulic bearings
- Control Options: +/-/FG/PWM
- Weight: 3.8 g

### ■ Air Flow-Static Pressure Characteristics



### ■ Dimensions Drawing (mm)



Model No.	Rated Voltage VDC	Operating Voltage Range VDC	Operating Temp. °C	Speed RPM	Input Current Amp	Input Power Watts	Maximum Air Flow		Maximum Air Pressure		Noise @30cm dB(A)
							CFM	l/min	Pa	mmH <sub>2</sub> O	
① M3B3090H H40N10N0	5	3.5 ~ 5.5	-10~60	13000	0.29	1.45	2.96	83.82	232	23.7	53.0
② M3B3090H H40N20N0	5	3.5 ~ 5.5	-10~60	11000	0.18	0.90	2.49	70.51	165	16.8	47.6
③ M3B3090H H40N30N0	5	3.5 ~ 5.5	-10~60	9000	0.10	0.50	2.10	59.47	111	11.3	43.2

Notes: Specifications are subject to change without notice. Please refer to the product data sheet provided by our sales.  
<https://www.i-hzlw.com>