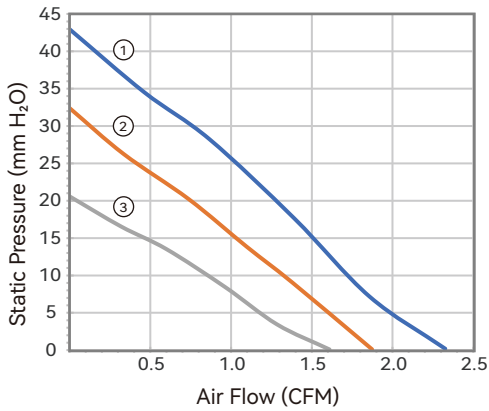


30X30X5 mm

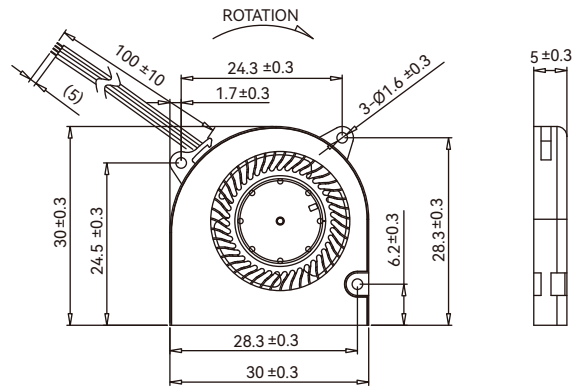


- Housing: Plastic (UL 94V-0)
- Impeller: Plastic (UL 94V-0)
- Bearing: Hydraulic bearings
- Control Options: +/-/FG/PWM
- Weight: 3.2 g

■ Air Flow-Static Pressure Characteristics



■ Dimensions Drawing (mm)



Model No.	Rated Voltage VDC	Operating Voltage Range VDC	Operating Temp. °C	Speed RPM	Input Current Amp	Input Power Watts	Maximum Air Flow		Maximum Air Pressure		Noise @30cm dB(A)
							CFM	l/min	Pa	mmH ₂ O	
① M3B3050H H40N10N0	5	3.5 ~ 5.5	-10~60	13000	0.45	2.25	2.33	65.98	421	43.0	47.2
② M3B3050H H40N20N0	5	3.5 ~ 5.5	-10~60	11000	0.32	1.60	1.87	52.95	317	32.4	43.5
③ M3B3050H H40N30N0	5	3.5 ~ 5.5	-10~60	9000	0.15	0.75	1.61	45.59	202	20.6	37.5

Notes: Specifications are subject to change without notice. Please refer to the product data sheet provided by our sales.
<https://www.i-hzlw.com>