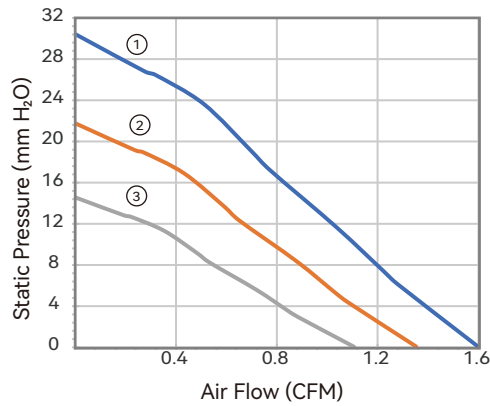


26X26X6 mm

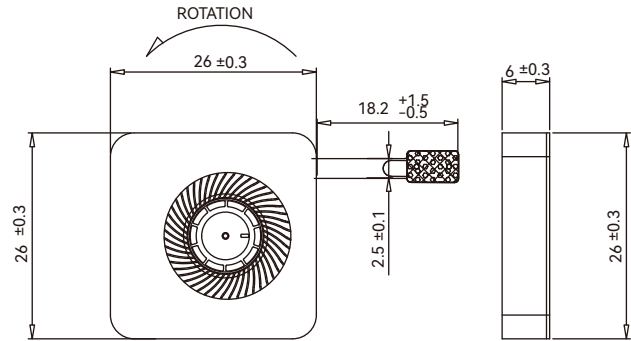


- Housing: Plastic (UL 94V-0)
- Impeller: Plastic (UL 94V-0)
- Bearing: Hydraulic bearings
- Control Options: +/-/FG/PWM
- Weight: 3 g

■ Air Flow-Static Pressure Characteristics



■ Dimensions Drawing (mm)



Model No.	Rated Voltage VDC	Operating Voltage Range VDC	Operating Temp. °C	Speed RPM	Input Current Amp	Input Power Watts	Maximum Air Flow		Maximum Air Pressure		Noise @30cm dB(A)
							CFM	l/min	Pa	mmH ₂ O	
① M1B2660H H40N10N0	5	3.5 ~ 5.5	-10~60	13000	0.27	1.35	1.60	45.31	298	30.4	40.6
② M1B2660H H40N20N0	5	3.5 ~ 5.5	-10~60	11000	0.17	0.85	1.35	38.23	214	21.8	34.6
③ M1B2660H H40N30N0	5	3.5 ~ 5.5	-10~60	9000	0.09	0.45	1.11	31.43	143	14.6	30.3

Notes: Specifications are subject to change without notice. Please refer to the product data sheet provided by our sales.
<https://www.i-hzlw.com>