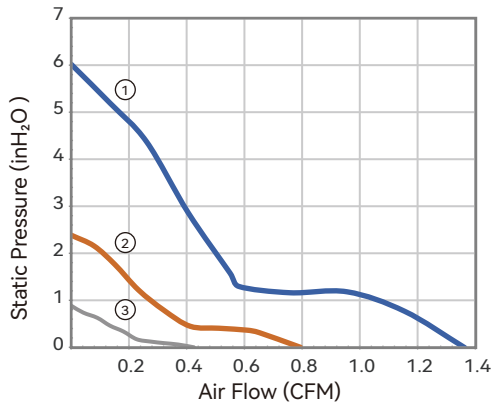


# 20X20X6 mm

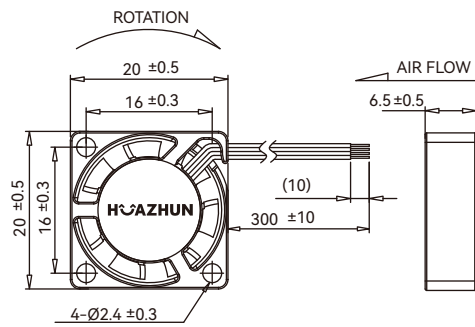


- Housing: Plastic (UL 94V-0)
- Impeller: Plastic (UL 94V-0)
- Bearing: Hydraulic bearings
- Control Options: +/-/FG/PWM
- Weight: 3 g

### ■ Air Flow-Static Pressure Characteristics



### ■ Dimensions Drawing (mm)



Model No.	Rated Voltage VDC	Operating Voltage Range VDC	Operating Temp. °C	Speed RPM	Input Current Amp	Input Power Watts	Maximum Air Flow		Maximum Air Pressure		Noise @1M dB(A)
							CFM	m <sup>3</sup> /min	Pa	mmH <sub>2</sub> O	
① A120060M H40N10N0	5	3.5~5.5	-10~60	15500	0.07	0.37	1.36	0.04	59.0	6.02	26.9
② A120060M H40N20N0	5	3.5~5.5	-10~60	10000	0.03	0.17	0.79	0.02	23.4	2.38	18.9
③ A120060M H40N30N0	5	3.5~5.5	-10~60	6200	0.02	0.09	0.43	0.01	8.7	0.88	17.3

Notes: Specifications are subject to change without notice. Please refer to the product data sheet provided by our sales.  
<https://www.i-hzlw.com>